

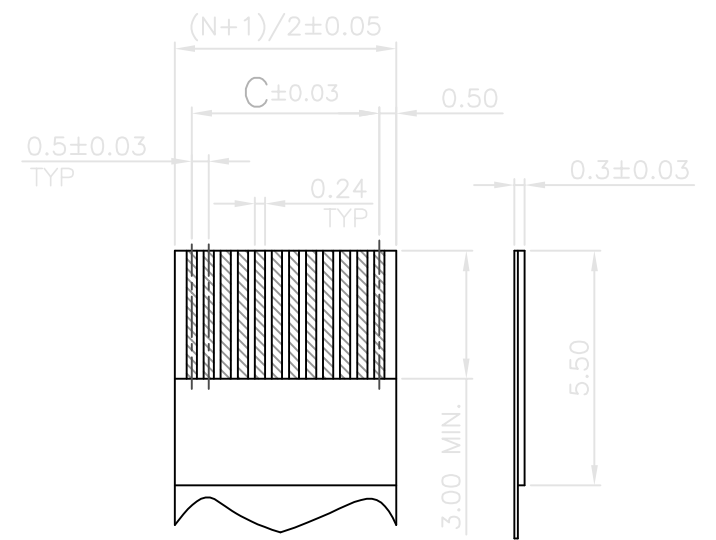
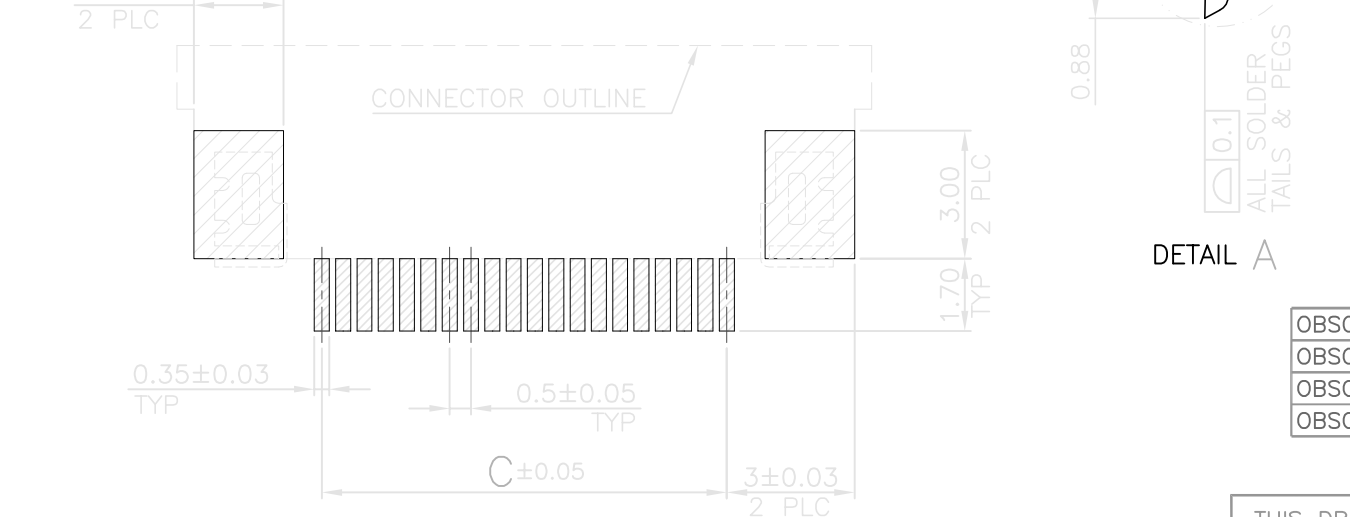
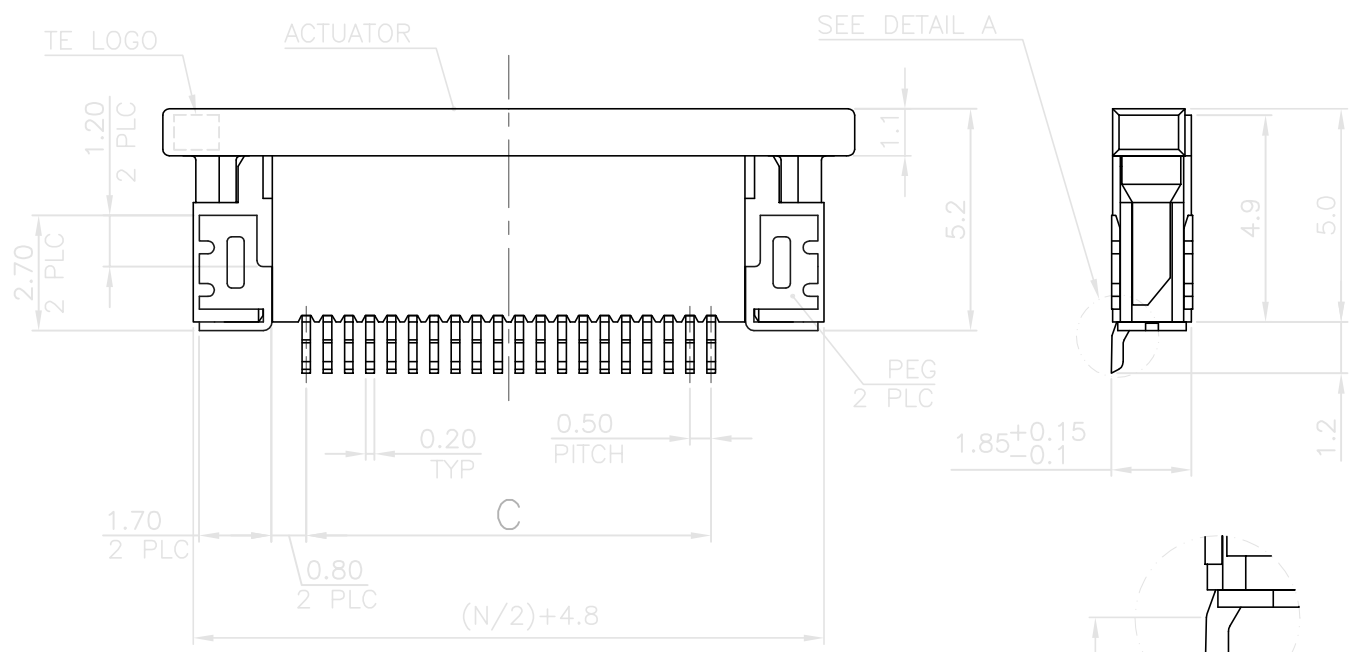
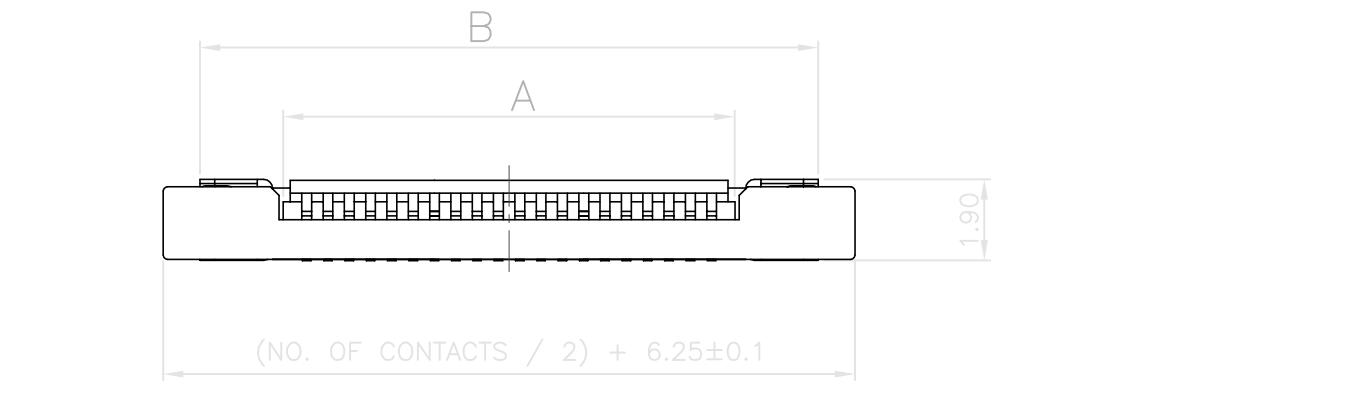
THIS DRAWING IS UNPUBLISHED. RELEASED FOR PUBLICATION
 © COPYRIGHT 2013 BY TE CONNECTIVITY. ALL RIGHTS RESERVED.

LOC	DIST	REVISIONS			
P	LTR	DESCRIPTION	DATE	DWN	APVD
DW	-	C	OBSOLETE PARTS	18FEB16	HX WH

NOTES:

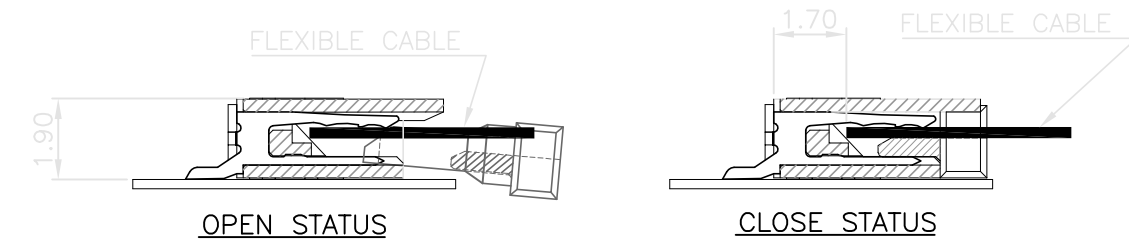
- MATERIAL:
 HOUSING: PA6T, 30% GF, UL94 V-0, NATURAL COLOR.
 ACTUATOR: PPS, 40% GF, UL94 V-0, BLACK COLOR.
 CONTACTS: PHOSPHOR BRONZE.
 PEGS: BRASS.
- FINISH:
 CONTACTS: GOLD FLASH OVER 1.27µm [50µ"] MIN.
 NICKEL ON ENTIRE CONTACT.
 PEGS: 2.54µm [100µ"] MIN. MATTE-TIN OVER 1.27µm [50µ"] MIN. NICKEL.
- REFLOW SOLDER CAPABLE TO 260°C PER
 TEC-109-201, CONDITION B.
- SUBSTANCE RESTRICTIONS FOR LOW HALOGEN (BY WEIGHT):
 - BROMINE (Br) ≤ 900 PPM (0.09%)
 - CHLORINE (Cl) ≤ 900 PPM (0.09%)
 - TOTAL (Cl) + (Br) ≤ 1500 PPM (0.15%)

REV	DESCRIPTION	DATE	DWN	APVD			
OBSOLETE	-0.55	24.0	29.01	25.10	49	4	1734820-9
OBSOLETE	-0.54	23.5	28.51	24.60	48	4	1734820-8
OBSOLETE	-0.53	23.0	28.01	24.10	47	4	1734820-7
OBSOLETE	-0.52	22.5	27.51	23.60	46	4	1734820-6
OBSOLETE	-0.51	22.0	27.01	23.10	45	4	1734820-5
OBSOLETE	-0.50	21.5	26.51	22.60	44	4	1734820-4
OBSOLETE	-0.49	21.0	26.01	22.10	43	4	1734820-3
OBSOLETE	-0.48	20.5	25.51	21.60	42	4	1734820-2
OBSOLETE	-0.47	20.0	25.01	21.10	41	4	1734820-1
OBSOLETE	-0.46	19.5	24.51	20.60	40	4	1734820-0
OBSOLETE	-0.45	19.0	24.01	20.10	39	3	1734820-9
OBSOLETE	-0.45	18.5	23.51	19.60	38	3	1734820-8
OBSOLETE	-0.44	18.0	23.01	19.10	37	3	1734820-7
OBSOLETE	-0.43	17.5	22.51	18.60	36	3	1734820-6
OBSOLETE	-0.42	17.0	22.01	18.10	35	3	1734820-5
OBSOLETE	-0.41	16.5	21.51	17.60	34	3	1734820-4
OBSOLETE	-0.40	16.0	21.01	17.10	33	3	1734820-3
OBSOLETE	-0.39	15.5	20.51	16.60	32	3	1734820-2
OBSOLETE	-0.38	15.0	20.01	16.10	31	3	1734820-1
OBSOLETE	-0.37	14.5	19.51	15.60	30	3	1734820-0
OBSOLETE	-0.36	14.0	19.01	15.10	29	2	1734820-9
OBSOLETE	-0.35	13.5	18.51	14.60	28	2	1734820-8
OBSOLETE	-0.34	13.0	18.01	14.10	27	2	1734820-7
OBSOLETE	-0.33	12.5	17.51	13.60	26	2	1734820-6
OBSOLETE	-0.33	12.0	17.01	13.10	25	2	1734820-5
OBSOLETE	-0.32	11.5	16.51	12.60	24	2	1734820-4
OBSOLETE	-0.31	11.0	16.01	12.10	23	2	1734820-3
OBSOLETE	-0.30	10.5	15.51	11.60	22	2	1734820-2
OBSOLETE	-0.29	10.0	15.01	11.10	21	2	1734820-1
OBSOLETE	-0.28	9.5	14.51	10.60	20	2	1734820-0
OBSOLETE	-0.27	9.0	14.01	10.10	19	1	1734820-9
OBSOLETE	-0.26	8.5	13.51	9.60	18	1	1734820-8
OBSOLETE	-0.25	8.0	13.01	9.10	17	1	1734820-7
OBSOLETE	-0.24	7.5	12.51	8.60	16	1	1734820-6
OBSOLETE	-0.23	7.0	12.01	8.10	15	1	1734820-5
OBSOLETE	-0.22	6.5	11.51	7.60	14	1	1734820-4
OBSOLETE	-0.22	6.0	11.01	7.10	13	1	1734820-3
OBSOLETE	-0.21	5.5	10.51	6.60	12	1	1734820-2
OBSOLETE	-0.20	5.0	10.01	6.10	11	1	1734820-1
OBSOLETE	-0.19	4.5	9.51	5.60	10	1	1734820-0
OBSOLETE	-0.18	4.0	9.01	5.10	9		1734820-9
OBSOLETE	-0.17	3.5	8.51	4.60	8		1734820-8
OBSOLETE	-0.16	3.0	8.01	4.10	7		1734820-7
OBSOLETE	-0.15	2.5	7.51	3.60	6		1734820-6
OBSOLETE	-0.14	2.0	7.01	3.10	5		1734820-5
OBSOLETE	-0.13	1.5	6.51	2.60	4		1734820-4



REV	DESCRIPTION	DATE	DWN	APVD			
OBSOLETE	-0.58	26.0	31.01	27.10	53	5	1734820-3
OBSOLETE	-0.57	25.5	30.51	26.60	52	5	1734820-2
OBSOLETE	-0.56	25.0	30.01	26.10	51	5	1734820-1
OBSOLETE	-0.56	24.5	29.51	25.60	50	5	1734820-0

WEIGHT (GRAMS)	C	B	A	NO. OF CONTACTS	PART NUMBER



THIS DRAWING IS A CONTROLLED DOCUMENT.

DIMENSIONS: MM	TOLERANCES UNLESS OTHERWISE SPECIFIED:	DWN A. WU 15JAN2013
0 PLC ± -	1 PLC ± 0.3	CHK S. CHIEN 15JAN2013
2 PLC ± 0.2	3 PLC ± -	APVD W. KODAMA 15JAN2013
4 PLC ± -	ANGLES ± -	PRODUCT SPEC
MATERIAL SEE NOTE	FINISH SEE NOTE	108-57364
		APPLICATION SPEC
		WEIGHT SEE TABLE
		CUSTOMER DRAWING

TE TE Connectivity

NAME: FPC CONNECTOR, 0.5 PITCH, ZIF, TOP CONTACT

SIZE: A3 CAGE CODE: 00779 DRAWING NO: C-1734820 RESTRICTED TO: -

SCALE: - SHEET: 1 OF 2 REV: C

4

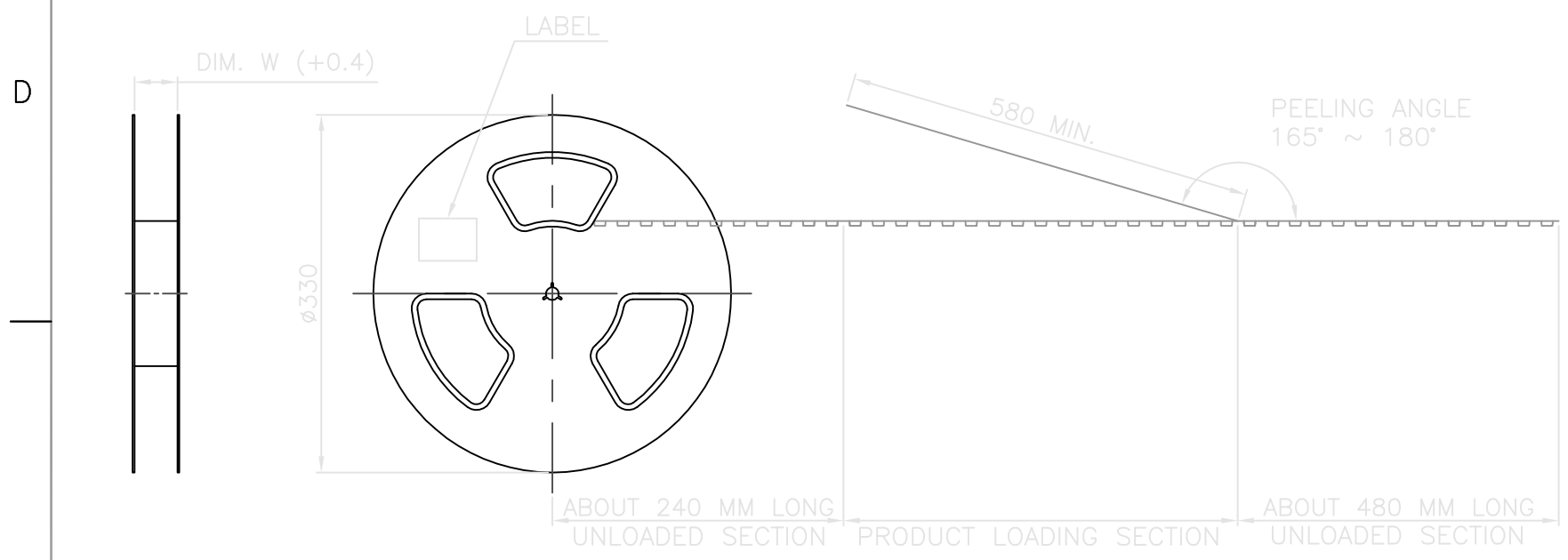
3

2

1

THIS DRAWING IS UNPUBLISHED. RELEASED FOR PUBLICATION
 © COPYRIGHT 2013 BY TE CONNECTIVITY. ALL RIGHTS RESERVED.

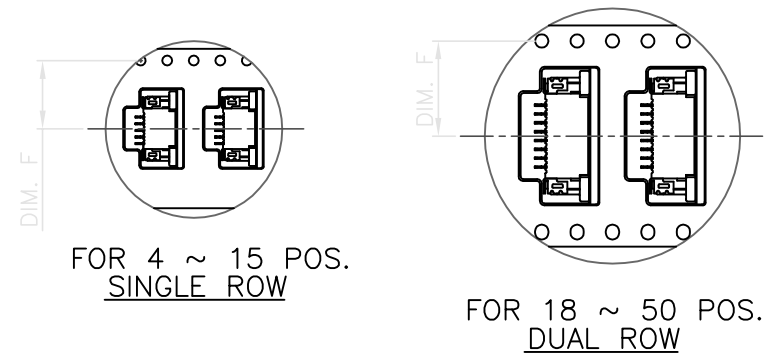
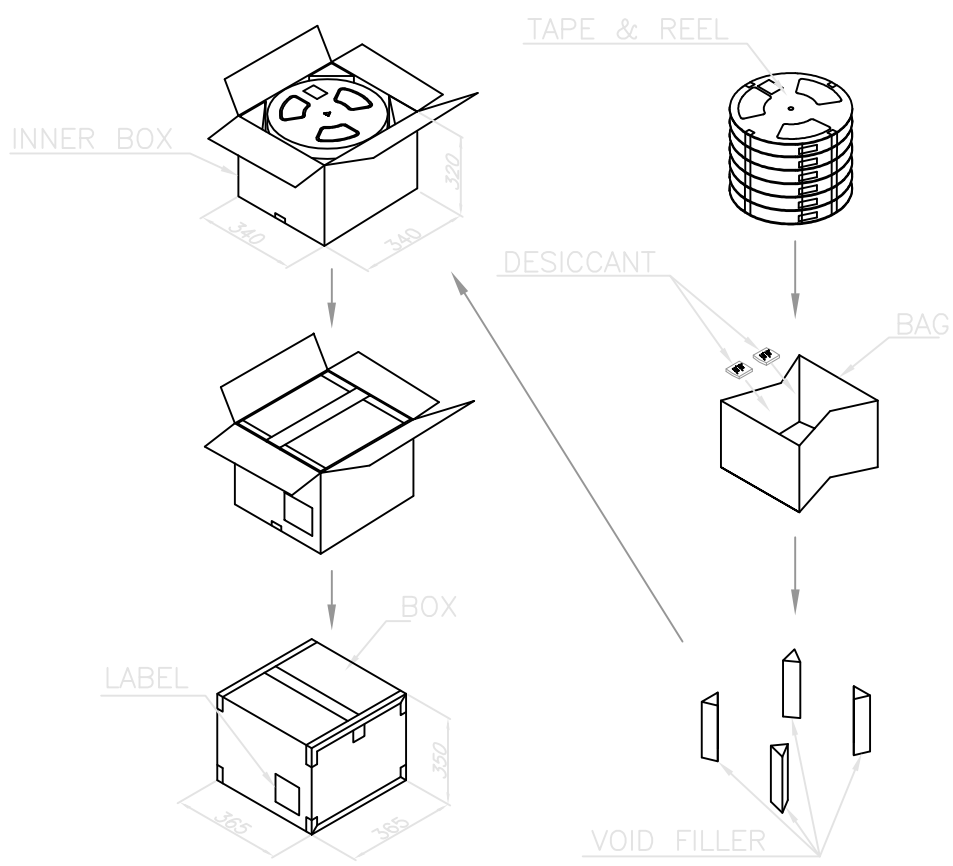
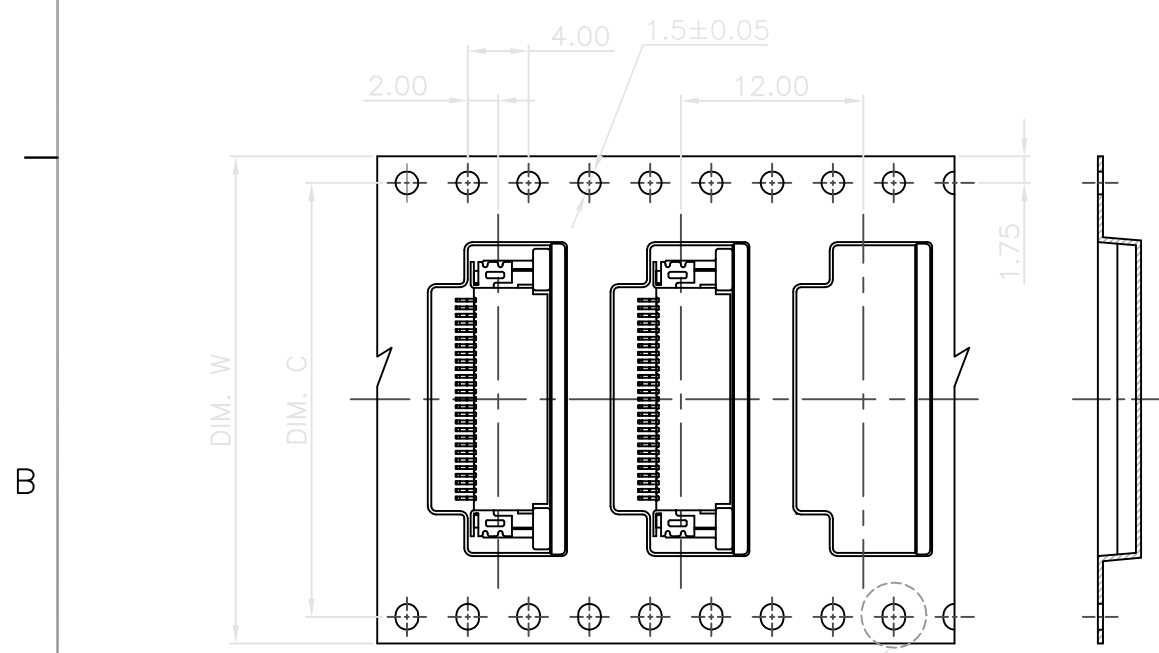
LOC	DIST	REVISIONS					
		P	LTR	DESCRIPTION	DATE	DWN	APVD
DW	-			SEE SHEET 1			



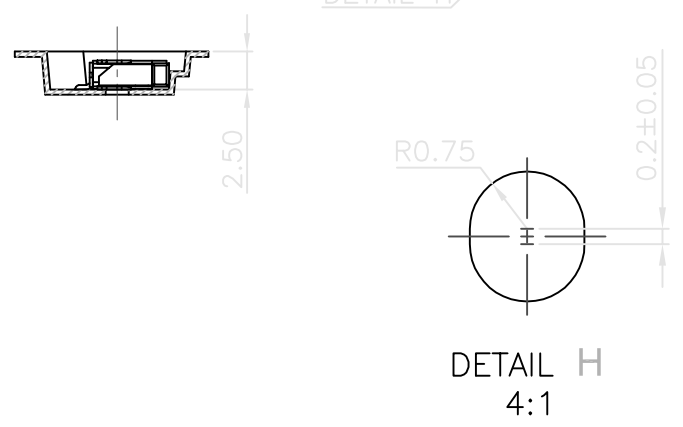
NOTES:

- MATERIAL:
 BOX: FIBREBOARD, CORRUGATED, DOUBLE WALL.
 COVER TAPE: PET, TRANSPARENT COLOR.
 CARRIER TAPE: POLYSTYRENES, BLACK COLOR.
 REEL: HIPS, BLUE COLOR.
 BAG: POLYETHYLENES, TRANSPARENT COLOR.
- EACH BAG SHALL BE INCLUDED DESICCANT.
- PEELING STRENGTH: 0.1 ~ 1.3 N (10 ~ 130 GRAMS).
- PEELING SPEED: 300 mm/min.

USER DIRECTION OF UNREELING



QUANTITY (PCS)	PCS/TAPE	REELS/BOX	DIM C	DIM F	DIM W	G/W (Kg)	N/W (Kg)	NO. OF CONTACTS		
12000	2000	6	40.4	20.2	44			12.2	8.0	50
								12.0	7.8	48
								11.3	7.1	41
								11.2	7.0	40
								10.4	6.2	32
16000	2000	8	28.4	14.2	32			9.8	5.6	26
								9.7	5.5	25
								9.4	5.2	22
								9.2	5.0	20
								9.0	4.8	18
20000	2000	10	-	11.5	24			8.7	4.4	15
								8.6	4.2	14
								8.4	3.8	12
								8.2	3.4	10
								8.0	3.0	8
								7.7	2.6	6
								7.5	2.2	4



THIS DRAWING IS A CONTROLLED DOCUMENT.

DIMENSIONS: MM	TOLERANCES UNLESS OTHERWISE SPECIFIED:	DWN	DWN
0 PLC ± -	1 PLC ± -	CHK	TE Connectivity
2 PLC ± -	3 PLC ± -	APVD	NAME
4 PLC ± -	ANGLES ± -	PRODUCT SPEC	FPC CONNECTOR, 0.5 PITCH, ZIF, TOP CONTACT
MATERIAL	FINISH	APPLICATION SPEC	SIZE
		WEIGHT	CAGE CODE
			DRAWING NO
			RESTRICTED TO
			A3 00779 C-1734820
		CUSTOMER DRAWING	SCALE
			SHEET 2 OF 2
			REV C