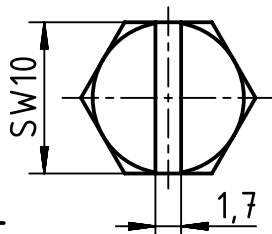
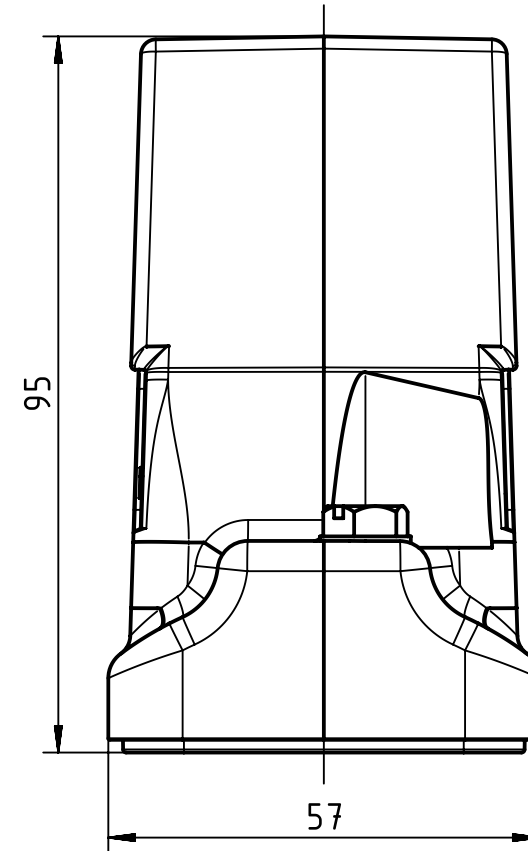
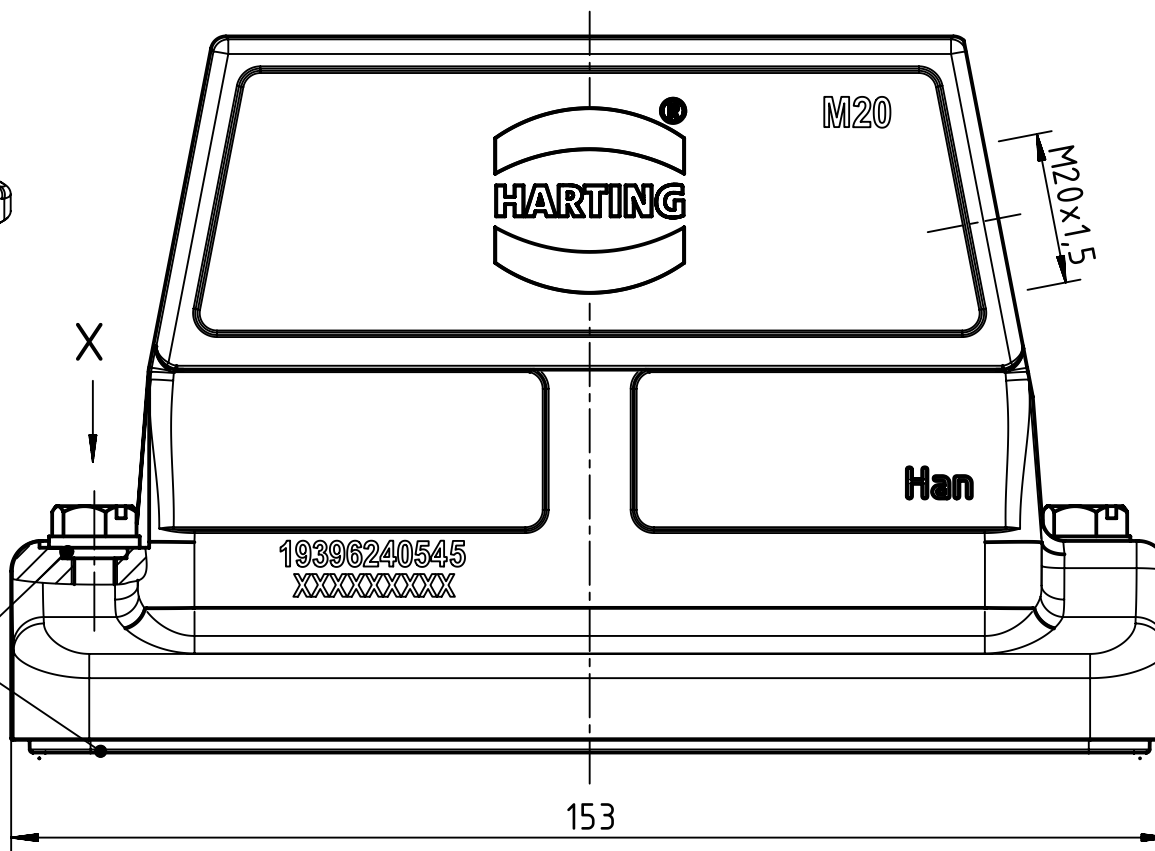


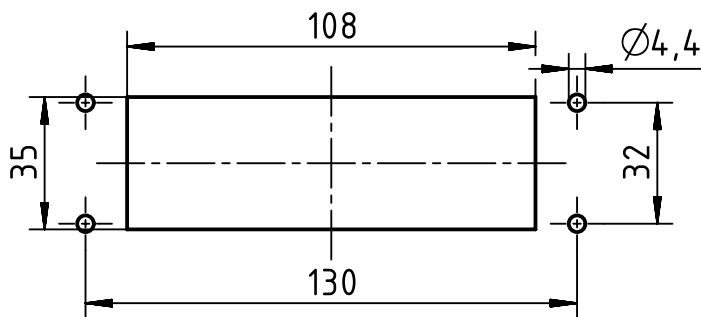
X (2:1)



Seal



Panel cut out (1:2)



	All Dimensions in mm Original Size DIN A4		Scale 1:1	Free size tol.		Ref.
	All rights reserved Department EL PD - CN		Created by LONGL	Inspected by WENE	Standardisation SCHMIDTM	Sub.
HARTING (Zhuhai) Manufacturing Co., Ltd. 519085 Zhuhai, China		Title Han 24HP Direct/B-HSE-M20			Date 2017-03-20	State Final Release
Number 19 39 624 0545					Doc-Key / ECM-Nr. 100663442/UGD/002/C 500000116962	Rev. C
						Page 1/1