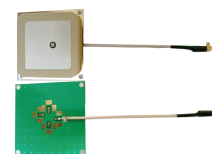


RFID Reader (Passive)

ARRSN5-915.000MHz

MSL level: Not Applicable

RoHS/RoHS II Compliant



50.0 x 50.0 x 9.4mm

FEATURES:

- High Gain
- Easy to install
- RF Cable and Connector
- RoHS Compliant

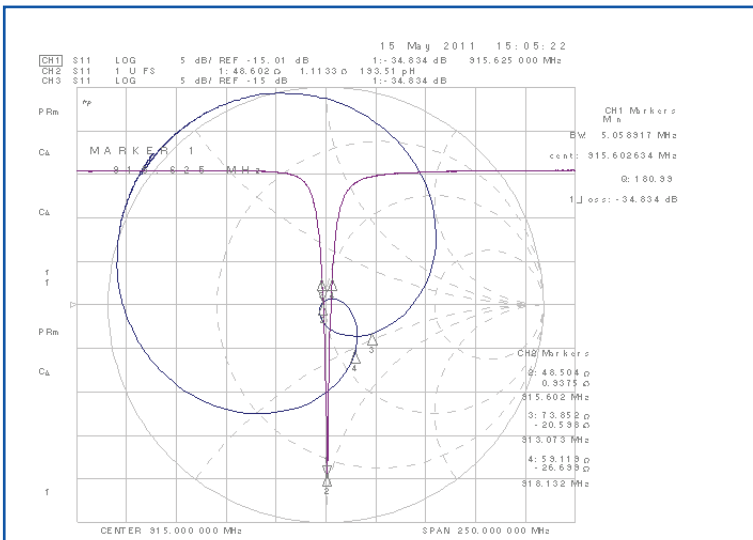
TYPICAL APPLICATIONS:

RFID systems for Logistic & Inventory Management of Retail, Pharmaceutical, Automotive Industries; Industrial automation, Contactless smart cards.

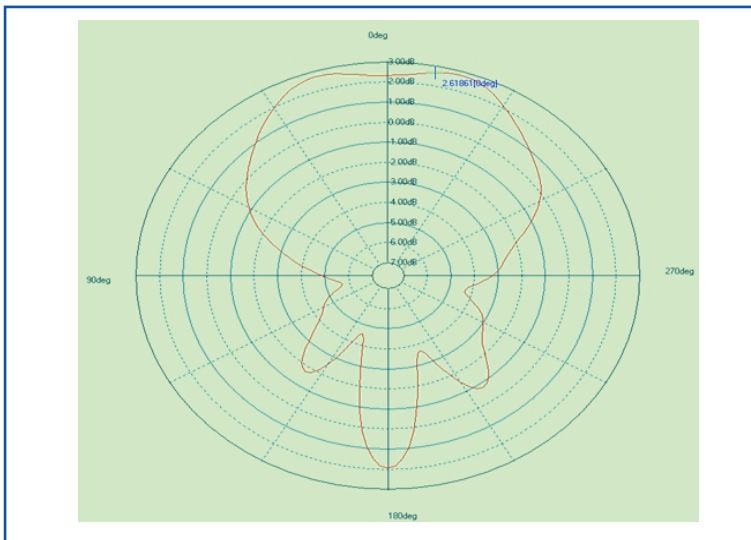
STANDARD SPECIFICATIONS:

| Parameters | Min. | Typ. | Max. | Units | Note |
|---------------------|------|-------|------|-------|-------------------------------|
| Center Frequency | | 915±3 | | MHz | |
| V.S.W.R | | 1.5 | | | |
| Bandwidth | 5.0 | | | MHz | V.S.W.R<1.5 |
| Impedence | | 50 | | Ω | |
| Gain | | 2.5 | | dBi | Based on 70×70mm ground plane |
| Polarization | | RHCP | | | |
| Working Temperature | -40 | | +80 | °C | |
| Storage Temperature | -45 | | +85 | °C | |

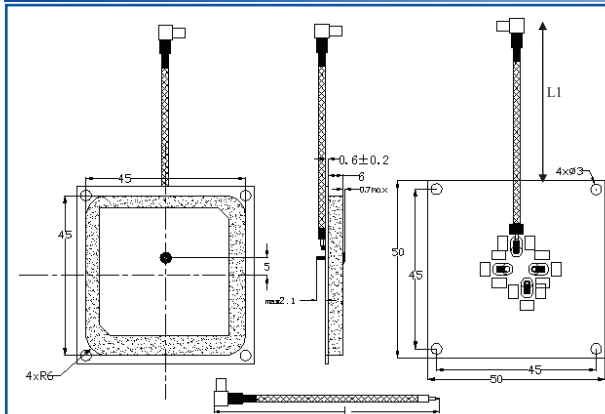
SMITH CHART:



RADIATION PATTERN



OUTLINE DRAWING:



| Description | Material |
|--------------|--|
| Antenna Type | Dielectric Ceramics 45x45x6mm |
| PCB | FR4, 50mm |
| RF Cable | RG178, Φ 2.7±0.3mm, L1=90±5mm, L=110±5mm |
| RF Connector | MMCX-J3 |
| Thickness | 9.5mm Max |

Other Tolerance: ±0.3mm

Unit: mm

ABRACON IS
ISO9001:2008
CERTIFIED

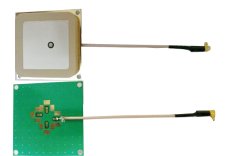


2 Faraday, Suite# B | Irvine | CA 92618 Revised: 11.24.14
Ph. 949.546.8000 | Fax. 949.546.8001
Visit www.abracon.com for Terms and Conditions of Sale

RFID Reader (Passive)

ARRSN5-915.000MHz

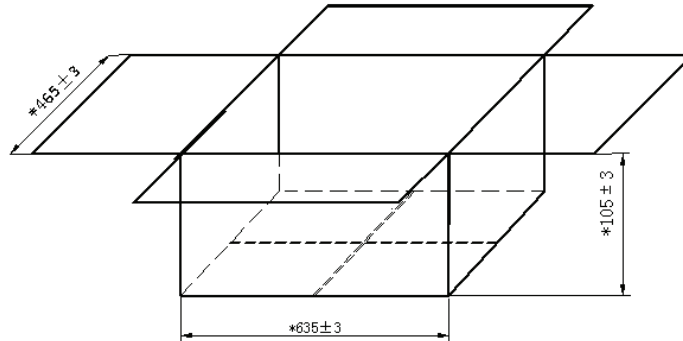
RoHS/RoHS II Compliant



50.0 x 50.0 x 9.4mm

TAPE & REEL:

Each carton contains 100pcs of antenna and each casing positions 2pcs of antennas. Carton (outer box) size is 635 x 465 x 105 mm.



Unit: mm

CAUTION:

- (1) Do not apply excess mechanical stress to the component body or terminations. Do not attempt to re-form or bend the components as this will cause damage to the component.
- (2) Do not expose the component to open flame.
- (3) This specification applies to the functionality of the component as a single unit. Please insure the component is thoroughly evaluated in the application circuit.

NOTE:

- (1) The parts are manufactured in accordance with this specification. If other conditions and specifications which are required for this specification, please contact ABRACON for more information.
- (2) ABRACON will supply the parts in accordance with this specification unless we receive a written request to modify prior to an order placement.
- (3) In no case shall ABRACON be liable for any product failure from in appropriate handling or operation of the item beyond the scope of this specification.
- (4) When changing your production process, please notify ABRACON immediately.
- (5) ABRACON Corporation's products are COTS – Commercial-Off-The-Shelf products; suitable for Commercial, Industrial and, where designated, Automotive Applications. ABRACON's products are not specifically designed for Military, Aviation, Aerospace, Life-dependant Medical applications or any application requiring high reliability where component failure could result in loss of life and/or property. For applications requiring high reliability and/or presenting an extreme operating environment, written consent and authorization from ABRACON Corporation is required. Please contact ABRACON Corporation for more information.
- (6) All specifications and Marking will be subject to change without notice.

ATTENTION: Abracon Corporation's products are COTS – Commercial-Off-The-Shelf products; suitable for Commercial, Industrial and, where designated, Automotive Applications. Abracon's products are not specifically designed for Military, Aviation, Aerospace, Life-dependant Medical applications or any application requiring high reliability where component failure could result in loss of life and/or property. For applications requiring high reliability and/or presenting an extreme operating environment, written consent and authorization from Abracon Corporation is required. Please contact Abracon Corporation for more information.

ABRACON IS
ISO9001:2008
CERTIFIED



2 Faraday, Suite# B | Irvine | CA 92618 **Revised: 11.24.14**
Ph. 949.546.8000 | Fax. 949.546.8001
Visit www.abracon.com for Terms and Conditions of Sale