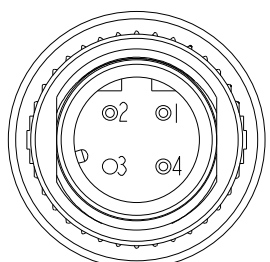
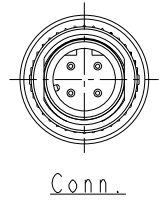
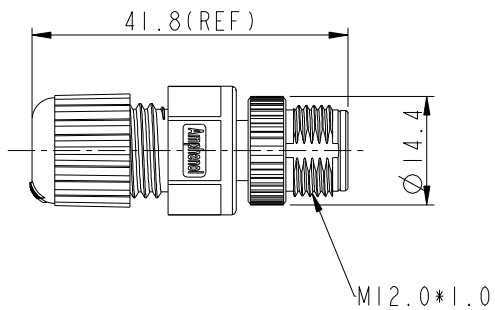
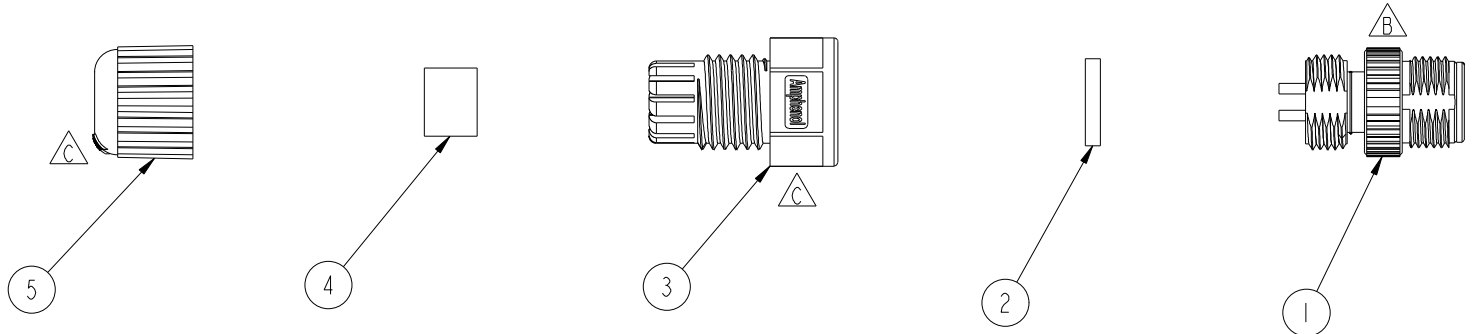


REV.	ECN NO.	DATE	SIGN	DESCRIPTION
B	LE3-6B0088	2006/11/09	Jerry	Remove the section & Change nut.
C	LEN1390260	2013/09/05	Lu Di	Change LOGO



Pin Assignments
Front View

- Note:
- * Waterproof Rate: IP68
 - * Housing: Black, Nylon+GF
 - * Pin: Copper Alloy, Gold Plated
 - * Nut: Zinc Alloy, Nickel Plated
 - * Gasket: Black, EPDM
 - * Clamp Ring: Black, Nylon
 - * Sealing Nut: Black, Nylon
 - * Seals: Black, EPDM
 - * Seal For Cable OD: $\varnothing 4.5\text{mm} \sim \varnothing 6.5\text{mm}$

UNIT:mm TOLERANCE .X ±0.25 .XX ±0.1 .XXX ±0.05 ANGLES ±1°	TITLE M12 D Code Assy Screw 4Pin M Conn M Pin			Amphenol LTW 安費諾亮泰企業股份有限公司		ITEM NO 12D-04BMMA-SL8001	DRAWN BY Di_lu	DATE 2013/09/05
	SCALE 1:1	SIZE A4	SHEET 1 OF 1	CUSTOMER ALTW		DWG NO 12D-04BMMA-SL8001	CHECKED BY Mafei	DATE 2013/09/05
	REV. C	WC-REV. A.3	QC: Inspection item	APPROVED BY Victor		DATE 2013/09/05		

THIS DOCUMENT IS SUBJECT TO CHANGE WITHOUT NOTICE. IT IS CONFIDENTIAL AND A PROPERTY OF Amphenol LTW. DISCLOSURE TO THIRD PARTY HAS TO BE AUTHORIZED BY Amphenol LTW.