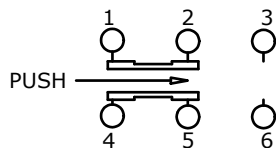


PC LAYOUT

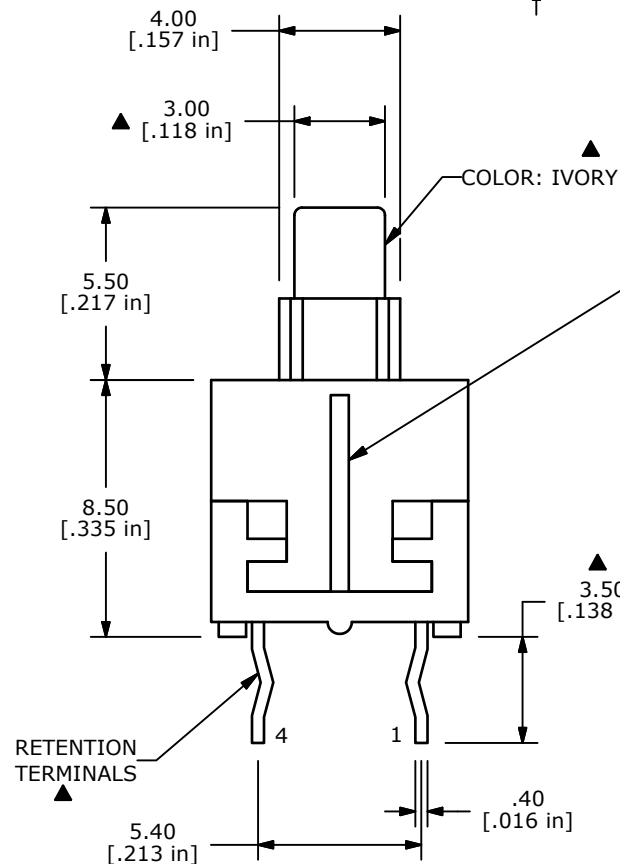
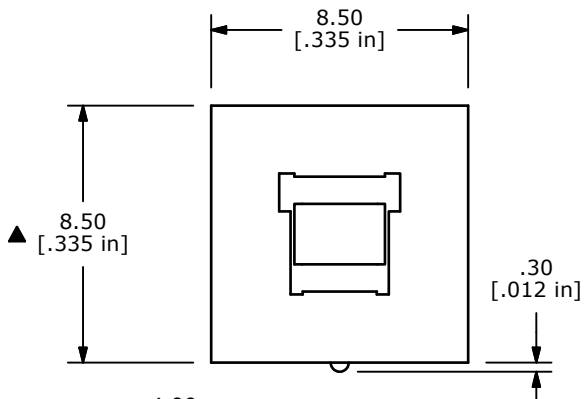
SWITCH FUNCTION	
POS. 1	POS. 2
ON	ON
2-1, 5-4	2-3, 5-6



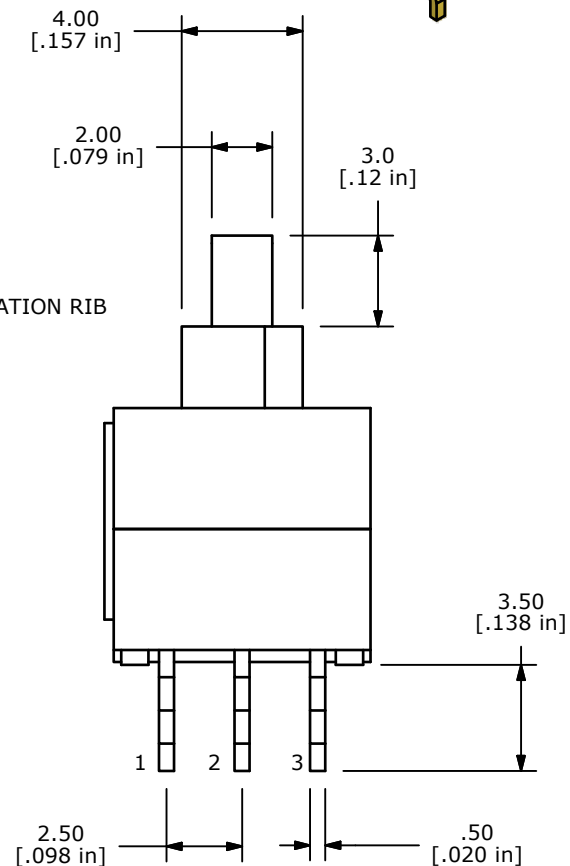
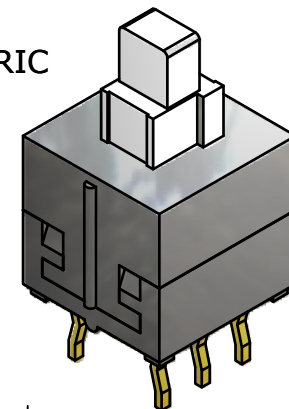
CIRCUIT DIAGRAM (DPDT)  
BREAK BEFORE MAKE

NOTES:

1. ALL DIMENSIONS IN MM [INCH]
2. GENERAL TOLERANCE: X.X±0.4  
X.XX±0.25
3. TERMINAL NUMBERS FOR REF. ONLY
- ▲ 4. RATING: 0.1A @ 30VDC
5. TRAVEL: FULL = 2.5
6. OPERATING FORCE: 220±50gf
7. ELECTRICAL LIFE: 10,000 CYCLES
8. ▲ DENOTES CRITICAL PARAMETER
9. CONTACT MATERIAL: SILVER
10. 2002/95/EC (RoHS) COMPLIANT



ISOMETRIC



D	19697	CHANGED TERMINAL NUMBERS	2/21/11	BGL
C	18030	Redrawn and force was 180	3/19/08	rc
REV	PCR NO	DESCRIPTION	DATE	BY

TITLE TL2201EEXB				
SCALE	DATE	DR	DWG	REV
4:1	3/19/2008	rc	P010351	D

THE INFORMATION CONTAINED IN THIS DOCUMENT IS PROPRIETARY TO E-SWITCH AND IS NOT TO BE COPIED OR TRANSFERRED