

THIS DRAWING IS UNPUBLISHED.

RELEASED FOR PUBLICATION NOV. 2003.

© COPYRIGHT 2003 By -

ALL RIGHTS RESERVED.

LOC	DIST	REVISIONS			
P	LTR	DESCRIPTION	DATE	DWN	APVD
E	B	C1	REVISED PER ECO-11-005033	31MAR11	RK HMR

- ① SINGLE PACK IN ACCORDANCE WITH SPEC 107-3275
- ② 100 TRAY PACK IN ACCORDANCE WITH SPEC 107-3275
- ③ Au PLATING
- ④ FLASH Au PLATING

ELECTRICAL CHARACTERISTICS

FREQUENCY RANGE: 50 Ohm DC - 6GHz
 INSULATION RESISTANCE: 1000MOhm
 WORKING VOLTAGE: 335V RMS at Sea Level
 DIELECTRIC WITHSTAND VOLTAGE: 500V RMS Max
 CONTACT RESISTANCE:
 CENTRE CONTACT: 5.00 MOhm Max

MECHANICAL CHARACTERISTICS

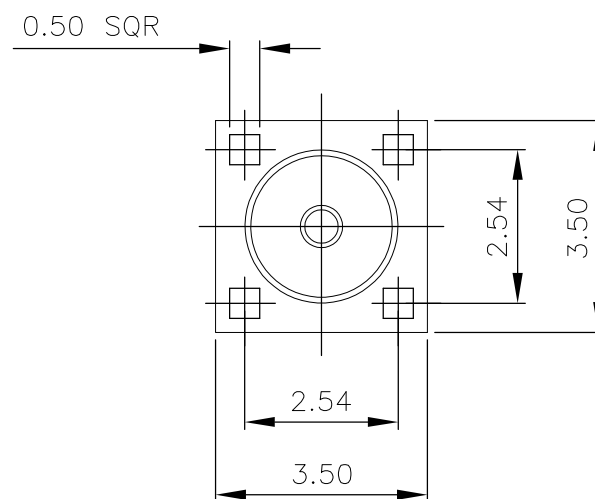
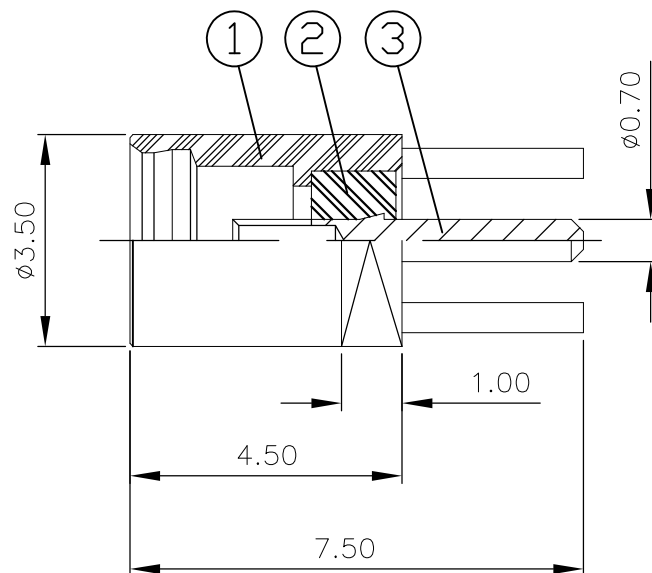
DURABILITY: 500 Cycles Min

ENVIRONMENTAL CHARACTERISTICS

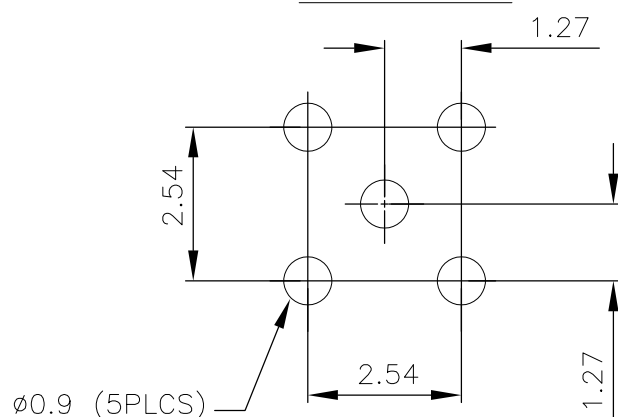
OPERATING TEMPERATURE: -65°C to +165°C

5 FOR TECHNICAL DATA REFER TO YOUR LOCAL TE CONNECTIVITY SALES OFFICE

6 ALL DIMENSIONS ARE NOMINAL FOR REFERENCE ONLY UNLESS OTHERWISE STATED



RECOMMENDED PCB LAYOUT



QUANTITY PER ASSY	PARTS LIST		MATERIAL	DESCRIPTION	ITEM
1	1	BERYLLIUM COPPER	③	SOCKET	3
1	1	PTFE		INSULATOR	2
1	1	BRASS	④	BODY	1
6--0	1--0				
②	①				

THIS DRAWING IS A CONTROLLED DOCUMENT.		DWN J.SANDWELL 12NOV03	STE TE Connectivity		
DIMENSIONS: mm		CHK S.PARLOW 12NOV03			
TOLERANCES UNLESS OTHERWISE SPECIFIED:		APVD F.WHEELER-KING 12NOV03	NAME MMCX STRAIGHT PCB MOUNT SOCKET RECEPTACLE 50 OHMS		
0 PLC ± -		PRODUCT SPEC 108-3462	SIZE		
1 PLC ± -		APPLICATION SPEC 411-3280	CAGE CODE	DRAWING NO	RESTRICTED TO
2 PLC ± -		MATERIAL	A300779		C-1634009
3 PLC ± -		FINISH	SCALE NTS		
4 PLC ± -		SEE TABLE	SHEET 1 OF 1		
ANGLES ± -		SEE TABLE	REV C1		
MATERIAL		WEIGHT	CUSTOMER DRAWING		
SEE TABLE		-			