

D C B A

4

3

2

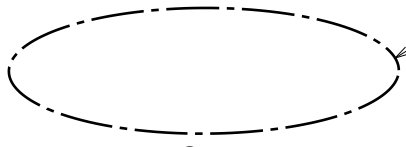
1

4

3

2

1



light beam direction

25

11.85

adhesive included

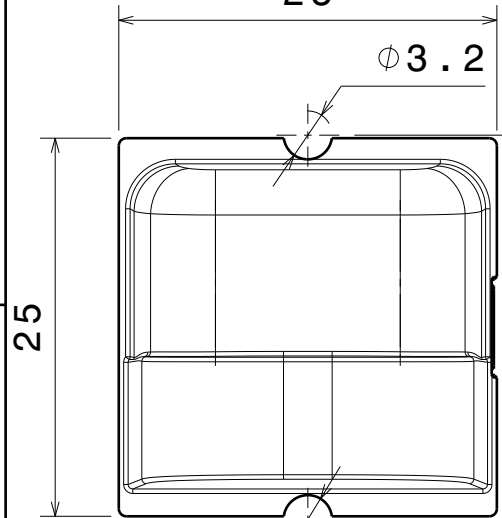
21.52

10.76

A

∅ 2

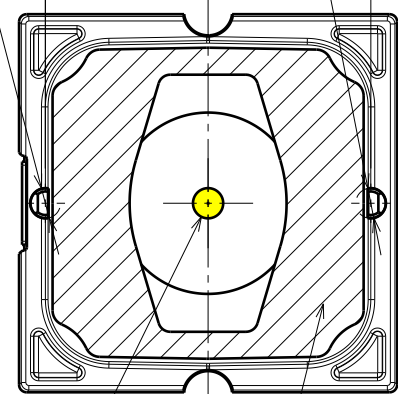
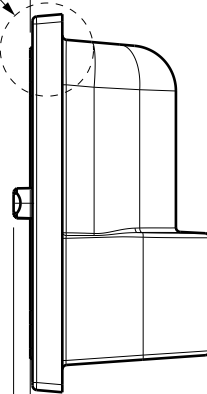
∅ 2



25.4

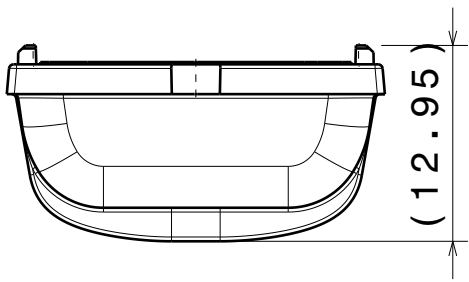
∅ 3.2

1.1



LED position

adhesive hatched area

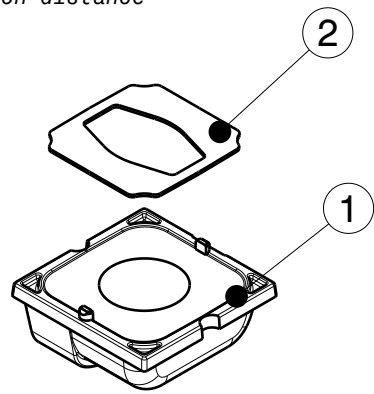


(12.95)

0.15

adhesive compression distance

Detail A
Scale: 4:1



Exploded view
Scale 1:1

INDEX	PART NO	DESCRIPTION	MATERIAL	COLOUR
1	C16248	STRADA-SQ-T4-B_Mechanicalmodel	PMMA	clear
2	C14564	ROSE-TAPE	PU 2-sided foam tape	adhesive

Tolerances if not otherwise shown
According to DIN ISO 2768-1
Linear measures:
Up to 30mm class M, otherwise class C.
According to DIN ISO 2768-2
Form and position: class L

LEDiL LediL Oy
Salorankatu 10
FIN 24240 SALO
Finland

FIRST ANGLE PROJECTION:

DRAWING TITLE
CA16249_STRADA-SQ-T4-B

This drawing is the property of LEDiL Oy. It may not be reproduced, copied or communicated without a written agreement with LEDiL Oy.

SIZE	PART NUMBER
A4	CA16249

SCALE	2:1	WEIGHT	-	SHEET	1/1
-------	-----	--------	---	-------	-----

D

A