

Product Specification

Analog Receiver, Pigtailed, PIN ROSA

PIN-1310-5I-50SMF-FCUPC

PRODUCT FEATURES

- High performance InGaAs PIN photodiode
- Wide operating temperature (-40°C to 85°C)
- 1260-1600 wavelength response
- Pigtailed package
- Data rates up to 6GHz analog bandwidth



APPLICATIONS

CATV analog receiver, satellite distribution networks, analog video

The PIN-1310-5I-50SMF-FCUPC is a high-performance InGaAs PIN photo-detector packaged to meet performance requirements of analog fiber applications.

The TO-46 component can be mounted inside an ultra-mini coaxial package which is then pigtailed with a single-mode fiber and terminated with a fiber connector. The pigtail is 50cm long as standard, terminated with an FC/UPC connector. Other pigtail lengths or connector styles may be available - please contact your regional sales manager.

Applications include CATV and other analog network applications.

PRODUCT SELECTION

Part Number	Description
PIN-1310-5I-50SMF-FCUPC	1310 nm PIN Diode, 50cm single-mode pigtailed package, FC UPC connector

I. Absolute Maximum Ratings

Parameter	Rating
Storage Temperature	-40 to +85°C
Case Operating Temperature	-40* to +85°C
Lead Solder Temperature	260°C, 10 sec.
PIN Reverse Voltage	10V
PIN forward current	2mA
ESD Exposure (Human Body Model)	50V ¹
Incident Optical Power	+6dBm average, +10dBm Peak

Notice

Stresses greater than those listed under “Absolute Maximum Ratings” may cause permanent damage to the device. This is a stress rating only and functional operation of the device at these or any other conditions above those indicated in the operations section for extended periods of time may affect reliability.

Notice

The inherent design of this component causes it to be sensitive to electrostatic discharge (ESD). To prevent ESD-induced damage and/or degradation to equipment, take normal ESD precautions when handling this product

II. Electro-Optical Characteristics

Parameters	Test Condition	Symbol	Min.	Typ.	Max.	Units	Notes
Responsivity	$\lambda=1310\text{nm}$, $V_r=5\text{V}$	R	0.75	0.85		mA/mW	1
Capacitance	F-100kHz	C	0.2	0.35	0.45	pF	2
Wavelength Response		λ_{RESP}	1260	1310	1600	nm	3
Dark Current	$V_r=5\text{V}$	I_{dark}			5	nA	
PIN -3dB Bandwidth	Into 50Ω , -5V bias	BW	6	7		GHz	4
Rise/Fall Time	P_o 0.1mWp-p	T_R/T_F		50	100	ps	5
Maximum Fiber Input Power	$\lambda=1310\text{nm}$	P_{max}	3			mW	
Optical Return Loss		ORL	23			dB	

Notes:

1. Responsivity is for the entire pigtailed assembly, measured at 1310nm.
2. Capacitance is measured at 5V reverse bias. The PIN structure is fully depleted at less than 2V reverse bias.
3. Photodiode may respond to wavelengths outside this range, but is not guaranteed to do so.
4. Bandwidth is measured using small signal analysis.
5. The rise and fall times are measured using a laser source with transition times less than 30ps (20-80%), and an average power of 0.5mW.

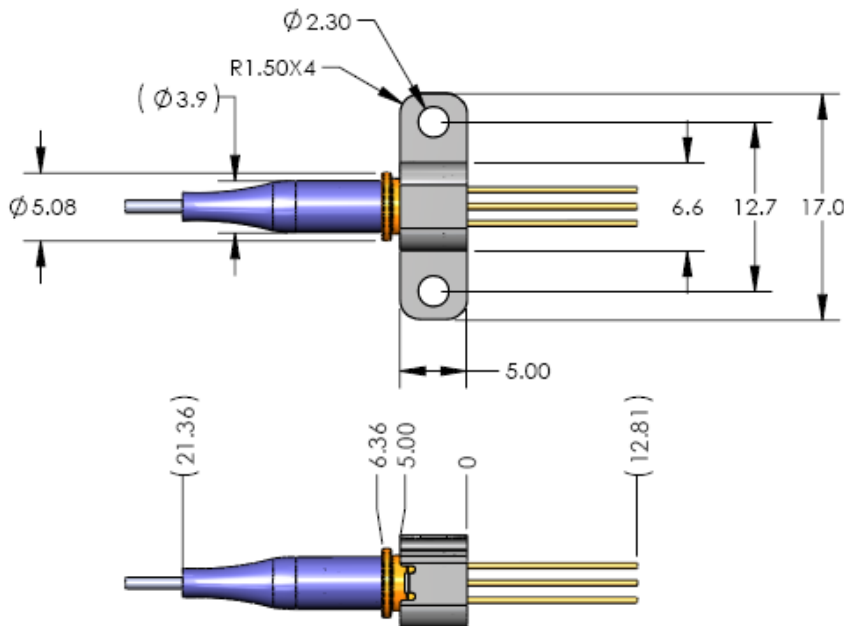
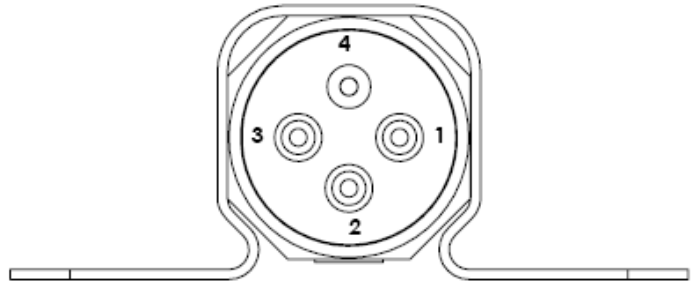
III. Environmental Specifications

Parameter	Symbol	Min	Typ	Max	Units	Ref.
Case Operating Temperature	T _{op}	-40		85	°C	
Storage Temperature	T _{sto}	-40		85	°C	

V. Mechanical Specifications

PIN HEADER PINOUT

Number	Function
1	PIN Cathode
2	PIN Anode
3	Open
4	Open/Case



(dimensions are in mm)

VI. Revision History

Revision	Date	Description
A1	4/13/2013	<ul style="list-style-type: none">• Document created.
B00	3/22/16	<ul style="list-style-type: none">• Updated logo and changed min responsivity to 0.75

VII. For More Information

Finisar Corporation
1389 Moffett Park Drive
Sunnyvale, CA 94089-1133
Tel. 1-408-548-1000
Fax 1-408-541-6138
sales@finisar.com
www.finisar.com