



S6SBP201A1AVA1001

S6SBP202A1FVA1001

S6SBP203A8FVA1001

Automotive PMIC Evaluation Kit Operation Manual

Doc. No. 002-08763 Rev. *A

Cypress Semiconductor
198 Champion Court
San Jose, CA 95134-1709
Phone (USA): 800.858.1810
Phone (Intl): 408.943.2600
<http://www.cypress.com>

Copyrights

Copyrights

Copyright © 2015-2016 Cypress Semiconductor Corporation. All rights reserved.

Spansion®, the Spansion logo, MirrorBit®, MirrorBit® Eclipse™, ORNAND™, Easy DesignSim™, Traveo™ and combinations thereof, are trademarks and registered trademarks of Cypress Semiconductor Corp. ARM and Cortex are the registered trademarks of ARM Limited in the EU and other countries.

Purchase of I²C components from Cypress or one of its sublicensed Associated Companies conveys a license under the Philips I²C Patent Rights to use these components in an I²C system, provided that the system conforms to the I²C Standard Specification as defined by Philips. As from October 1st, 2006 Philips Semiconductors has a new trade name - NXP Semiconductors.

The information in this document is subject to change without notice and should not be construed as a commitment by Cypress. While reasonable precautions have been taken, Cypress assumes no responsibility for any errors that may appear in this document. No part of this document may be copied or reproduced in any form or by any means without the prior written consent of Cypress.

Disclaimer

CYPRESS MAKES NO WARRANTY OF ANY KIND, EXPRESS OR IMPLIED, WITH REGARD TO THIS MATERIAL, INCLUDING, BUT NOT LIMITED TO, THE IMPLIED WARRANTIES OF MERCHANTABILITY AND FITNESS FOR A PARTICULAR PURPOSE. Cypress reserves the right to make changes without further notice to the materials described herein.

Cypress does not assume any liability arising out of the application or use of any product or circuit described herein. Cypress does not authorize its products for use as critical components in life-support systems where a malfunction or failure may reasonably be expected to result in significant injury to the user. The inclusion of Cypress' product in a life-support systems application implies that the manufacturer assumes all risk of such use and in doing so indemnifies Cypress against all charges.

Flash Code Protection

Cypress products meet the specifications contained in their particular Cypress PSoC Data Sheets. Cypress believes that its family of PSoC products is one of the most secure families of its kind on the market today, regardless of how they are used. There may be methods, unknown to Cypress, that can breach the code protection features. Any of these methods, to our knowledge, would be dishonest and possibly illegal. Neither Cypress nor any other semiconductor manufacturer can guarantee the security of their code. Code protection does not mean that we are guaranteeing the product as "unbreakable." Cypress is willing to work with the customer who is concerned about the integrity of their code. Code protection is constantly evolving. We at Cypress are committed to continuously improving the code protection features of our products.

Preface



This manual explains how to use the evaluation board. Be sure to read this manual before using the product. For this product, please consult with sales representatives or support representatives.

Handling and Use

Handling and use of this product and notes regarding its safe use are described in the manuals.

Follow the instructions in the manuals to use this product.

Keep this manual at hand so that you can refer to it anytime during use of this product.

Notice on this Document


All information included in this document is current as of the date it is issued. Such information is subject to change without any prior notice.

Please confirm the latest relevant information with the sales representatives.


Error! Use the Home tab to apply 見出し 1 to the text that you want to appear here.

Caution of the Products Described in this Document

The following precautions apply to the product described in this manual.

 WARNING	Indicates a potentially hazardous situation which could result in death or serious injury and/or a fault in the user's system if the product is not used correctly.
--	---

Electric Shock, Damage	Before performing any operation described in this manual, turn off all the power supplies to the system. Performing such an operation with the power on may cause an electric shock or device fault.
Electric Shock, Damage	Once the product has been turned on, do not touch any metal part of it. Doing so may cause an electric shock or device fault.

 CAUTION	Indicates the presence of a hazard that may cause a minor or moderate injury, damages to this product or devices connected to it, or may cause to loose software resources and other properties such as data, if the device is not used appropriately.
--	--

Cuts, Damage	Before moving the product, be sure to turn off all the power supplies and unplug the cables. Watch your step when carrying the product. Do not use the product in an unstable location such as a place exposed to strong vibration or a sloping surface. Doing so may cause the product to fall, resulting in an injury or fault.
Cuts	The product contains sharp edges that are left unavoidably exposed, such as jumper plugs. Handle the product with due care not to get injured with such pointed parts.
Damage	Do not place anything on the product or expose the product to physical shocks. Do not carry the product after the power has been turned on. Doing so may cause a malfunction due to overloading or shock.
Damage	Since the product contains many electronic components, keep it away from direct sunlight, high temperature, and high humidity to prevent condensation. Do not use or store the product where it is exposed to much dust or a strong magnetic or electric field for an extended period of time. Inappropriate operating or storage environments may cause a fault.
Damage	Use the product within the ranges given in the specifications. Operation over the specified ranges may cause a fault.
Damage	To prevent electrostatic breakdown, do not let your finger or other object come into contact with the metal parts of any of the connectors. Before handling the product, touch a metal object (such as a door knob) to discharge any static electricity from your body.
Damage	When turning the power on or off, follow the relevant procedure as described in this document. Before turning the power on, in particular, be sure to finish making all the required connections. Furthermore, be sure to configure and use the product by following the instructions given in this document. Using the product incorrectly or inappropriately may cause a fault.
Damage	Because the product has no casing, it is recommended that it be stored in the original packaging. Transporting the product may cause a damage or fault. Therefore, keep the packaging materials and use them when re-shipping the product.

Contents



Description	6
1. Description	6
2. Evaluation Board Specification	7
3. Pin Descriptions	8
3.1 Input/Output Pin Descriptions	8
3.2 Jumper Descriptions	8
4. Setup	9
4.1 Connecting	9
4.2 Verification	9
5. Layout	10
5.1 Component Layout	10
5.2 Wiring Layout	11
6. Circuit Schematic	12
7. Component List	13
8. Ordering Information	14
Revision History	15
Document Revision History	15

Details



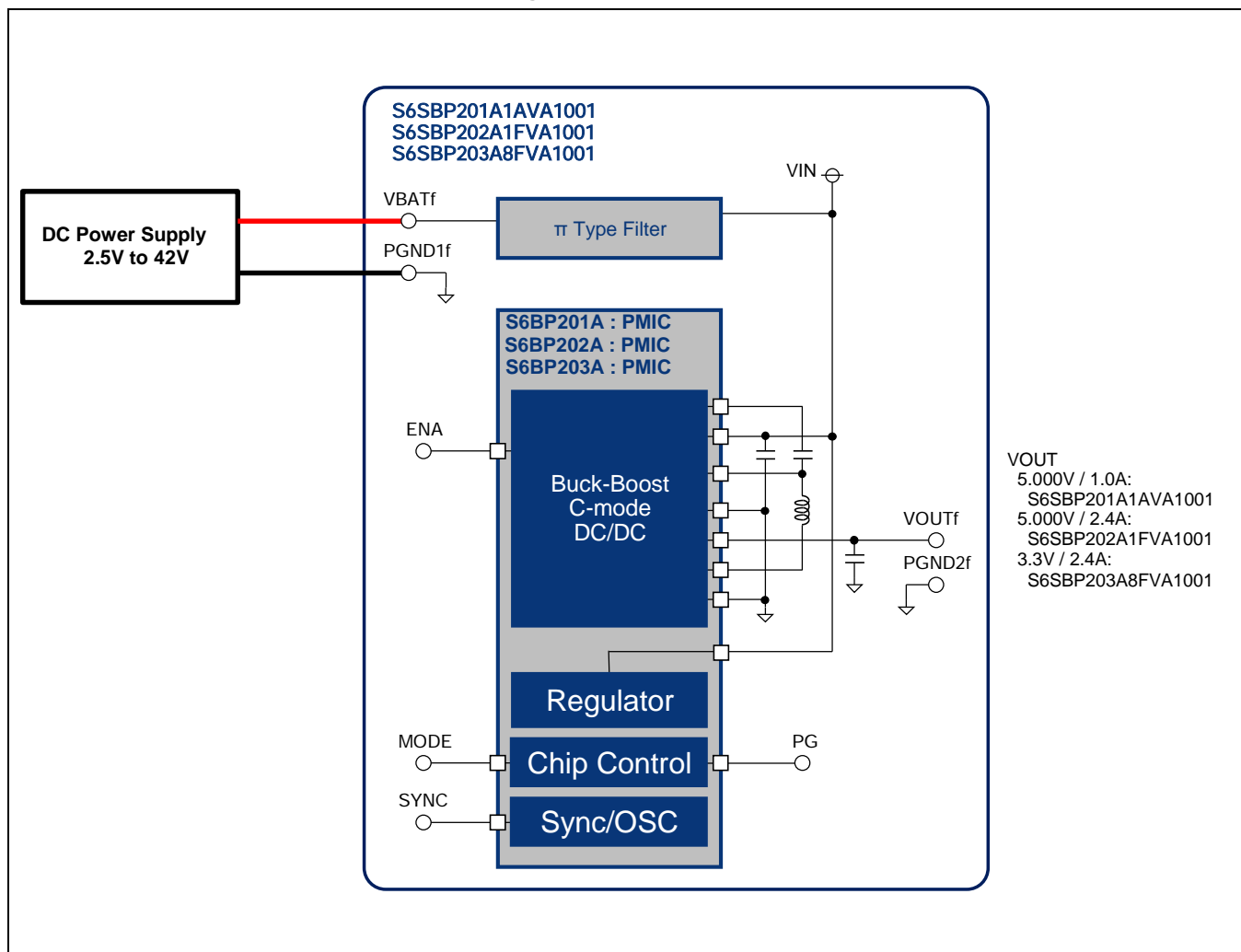
1. Description

S6SBP201A1AVA1001, S6SBP202A1FVA1001 and S6SBP203A8FVA1001 are the evaluation kit for primary power block of automotive.

These boards implement power management IC S6BP201A, S6BP202A, S6BP203A each.

It is necessary to prepare DC power supply.

Figure 1 Board Outline



2. Evaluation Board Specification

Table 1 Evaluation Board Specification

	Item	Symbol	Min.	Typ.	Max.	Unit
S6SBP201A1AVA1001	Input Voltage	VIN	2.5	12	42	V
	Output Voltage	VOUT	-	5.0	-	V
	Output Current	IOUT	-	-	1.0	A
S6SBP202A1FVA1001	Input Voltage	VIN	2.5	12	42	V
	Output Voltage	VOUT	-	5.0	-	V
	Output Current	IOUT	-	-	2.4	A
S6SBP203A8FVA1001	Input Voltage	VIN	2.5	12	24	V
	Output Voltage	VOUT	-	3.3	-	V
	Output Current	IOUT	-	-	2.4	A

Error! Use the Home tab to apply 見出し 1 to the text that you want to appear here.

3. Pin Descriptions

3.1 Input/Output Pin Descriptions

Table 2 Input/Output Pin Descriptions

Connector Symbol	I/O	Function Description
VBATf	I	DC power supply terminal
VOUTf	O	DC/DC converter output terminal
ENA	I	DC/DC converter enable terminal
MODE	I	PFM/PWM mode control terminal
SYNC	I	External clock input terminal
PG	O	DC/DC converter power good terminal
PGND1f,PGND2f	-	Ground terminal

3.2 Jumper Descriptions

Table 3 Jumper Descriptions

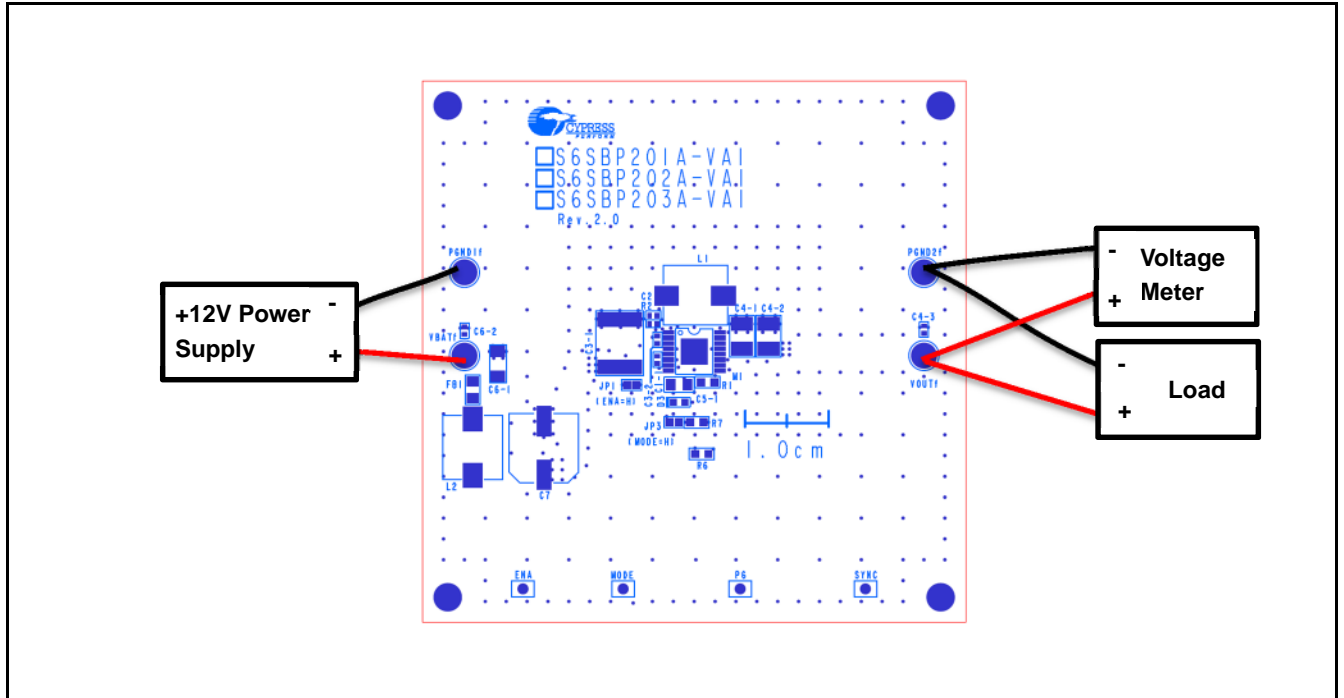
Jumper	Description	Initial Setting
JP1	Shorted between VIN and ENA pin JP1 Short: ENA pin is set to the H level. JP1 Open: ENA pin is set to the L level. Input external signal to ENA pin. Don't input external signal to EN1 pin with shorted JP1.	Open
JP3	Shorted between VOUTf and MODE pin JP3 Short: Fixed PWM operation. JP3 Open: Automatic PWM/PFM switching operation. Don't input external signal to MODE pin with shorted JP3. In case of providing external clock to SYNC, the mode is fixed PWM operation.	Open

4. Setup

4.1 Connecting

1. Connect the board to the power supply, load equipment and voltage meter as below.

Figure 2 Connecting the Board and Some Equipment



4.2 Verification

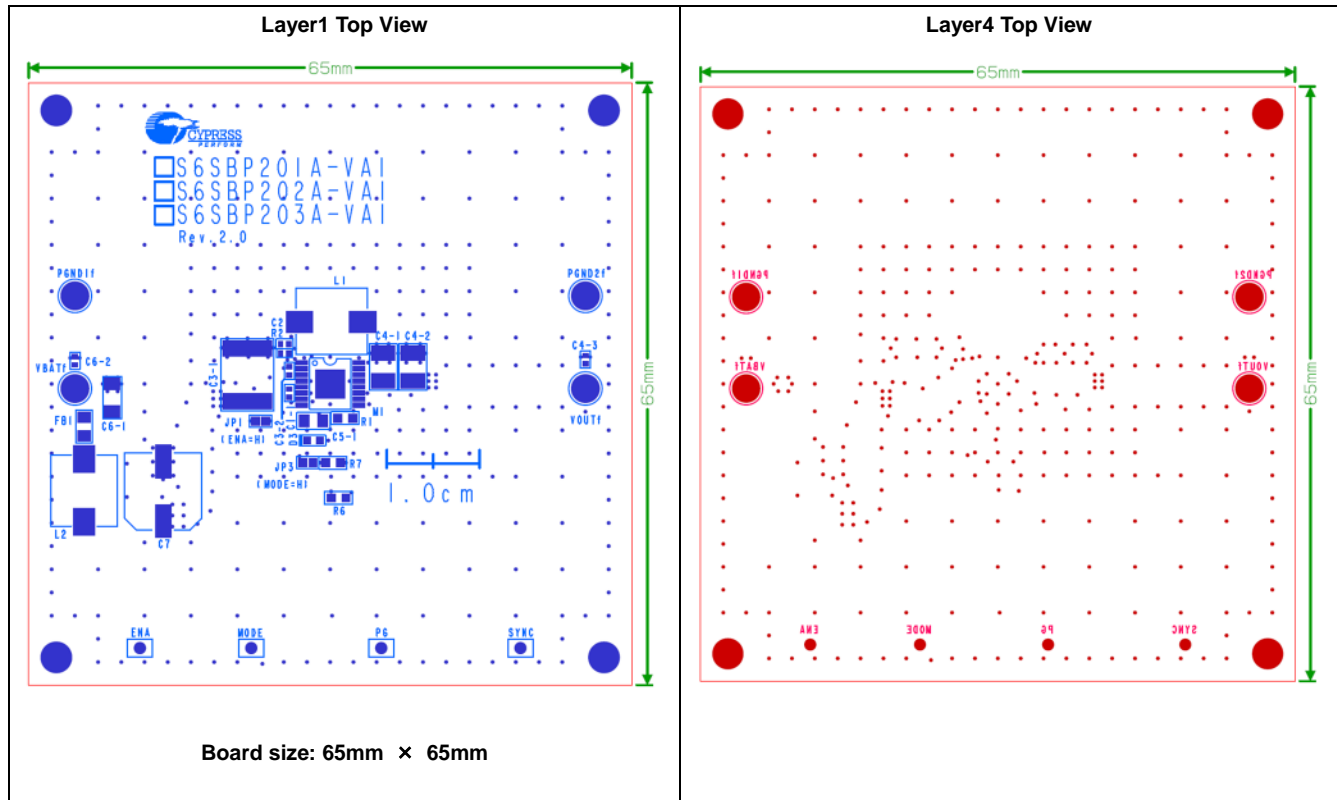
1. Connect ENA pin to PGND1f, then, turn on +12V power supply.
2. Connect ENA pin to VBATf, then, DC/DC converter will start output.
3. Check that VOUTf is the same as the 'Output Voltage' of Figure 2-1 Evaluation Board Specification.

Error! Use the Home tab to apply 見出し 1 to the text that you want to appear here.

5. Layout

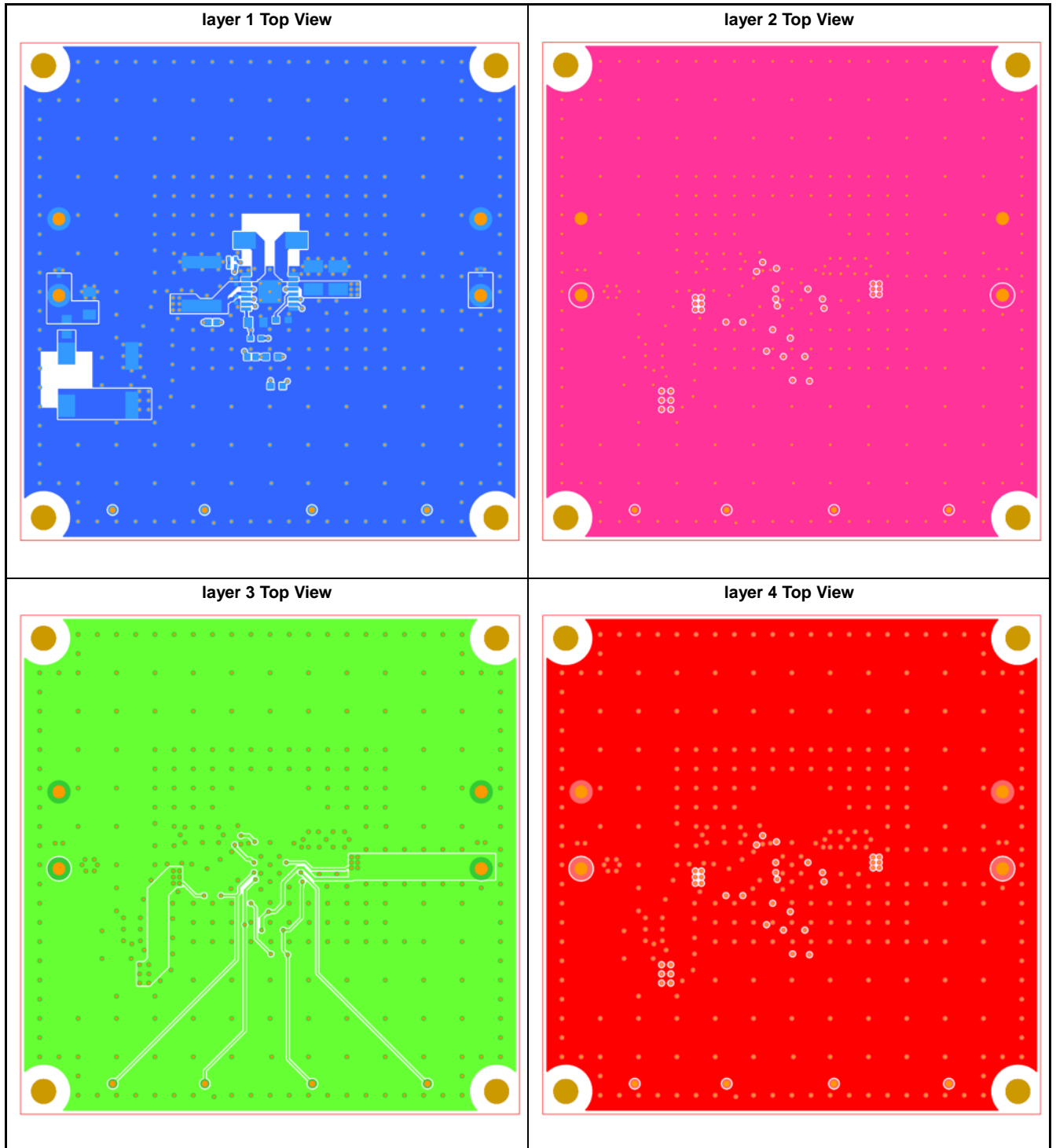
5.1 Component Layout

Figure 3 Evaluation Board Component Layout



5.2 Wiring Layout

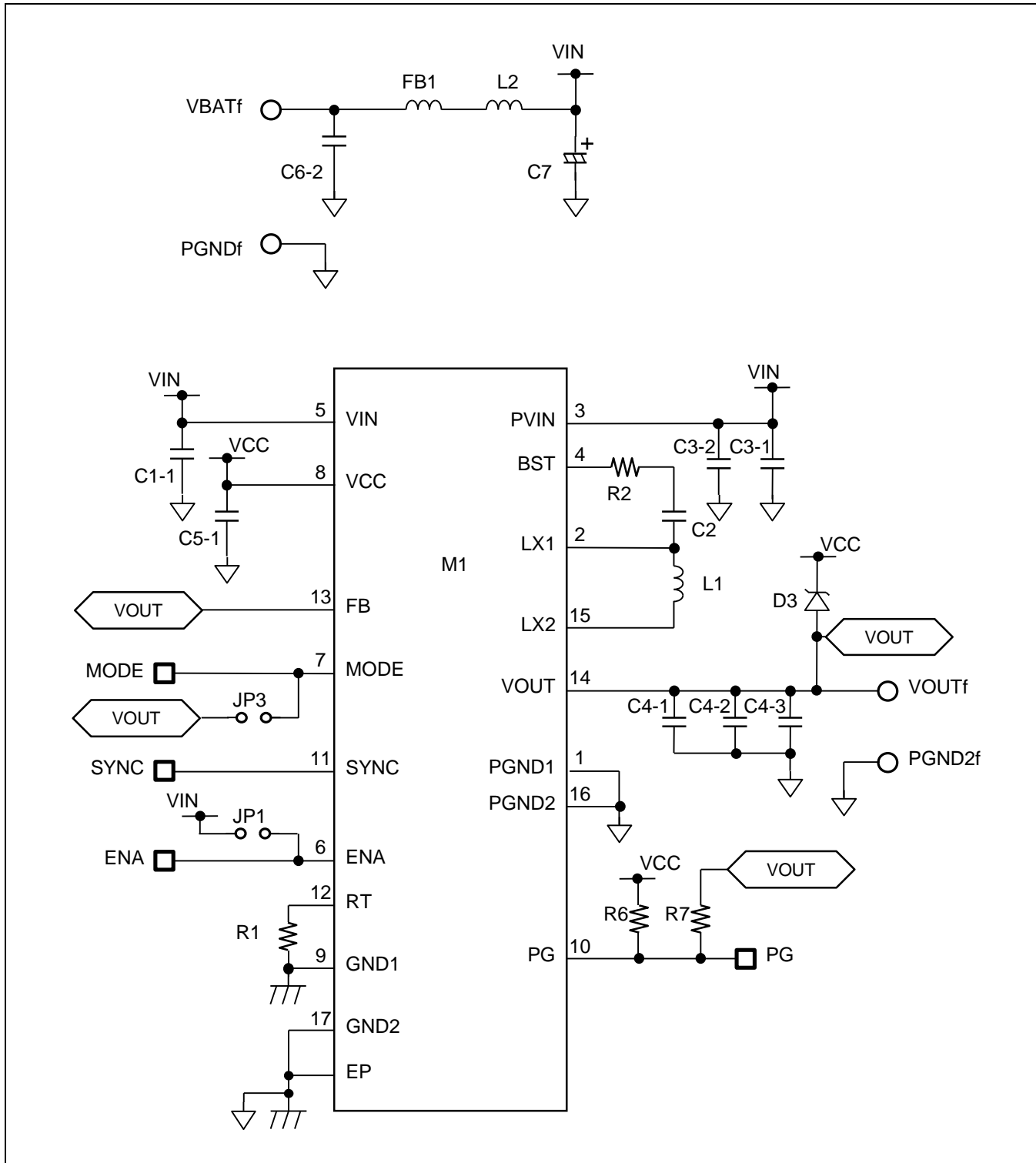
Figure 4 Evaluation Board Wiring Layout



Error! Use the Home tab to apply 見出し 1 to the text that you want to appear here.

6. Circuit Schematic

Figure 5 Evaluation Board Circuit Schematic



7. Component List

Table 4 Evaluation Board Component List

No.	Component	Parts Number	Vendor	Value	Rated Voltage(V)	Rated Current(A)	Remarks
1	C1-1	CGA2B3X7R1H104K050BB	TDK	0.1 μ F	50	-	-
2	C2	CGA2B3X7R1H104K050BB	TDK	0.1 μ F	50	-	-
3	C3-1	CGA9N3X7R1H106K230KB	TDK	10 μ F	50	-	-
4	C3-2	CGA2B3X7R1H104K050BB	TDK	0.1 μ F	50	-	-
5	C4-1	CGA6P1X7R1C226M250AC	TDK	22 μ F	16	-	-
6	C4-2	CGA6P1X7R1C226M250AC	TDK	22 μ F	16	-	-
7	C4-3	CGA2B3X7R1H104K050BB	TDK	0.1 μ F	50	-	-
8	C5-1	CGA4J3X7R1C475K125AB	TDK	4.7 μ F	16	-	-
9	C6-1	CGA5L3X7R1H475K160AB	TDK	4.7 μ F	50	-	-
10	C6-2	CGA2B3X7R1H104K050BB	TDK	0.1 μ F	50	-	-
11	C7	-	-	-	-	-	NMT
12	D3	-	-	-	-	-	S6SBP201A1AVA1001, S6SBP202A1FVA1001 NMT
		RB521S30T1G	ON Semi	-	30	0.2	S6SBP203A8FVA1001
13	FB1	RK73Z2A	KOA	0 Ω	-	2	-
14	L1	CLF7045T-2R2N-D	TDK	2.2 μ H	-	7.3	-
15	L2	CLF7045T-4R7N-D	TDK	4.7 μ H	-	3.6	-
16	M1	S6BP201A1AST2B000	Cypress	-	-	-	S6SBP201A1AVA1001
		S6BP202A1FST2B000					S6SBP202A1FVA1001
		S6BP203A8FST2B000					S6SBP203A8FVA1001
17	R1	RK73H1JTDD2202F	KOA	22 k Ω	-	-	-
18	R2	RK73Z1E	KOA	0 Ω	-	1	-
19	R6	-	-	-	-	-	NMT
20	R7	RK73H1JTDD1003F	KOA	100 k Ω	-	-	-

TDK : TDK Corporation
 ON Semi : ON Semiconductor
 KOA : KOA Corporation
 Cypress : Cypress Semiconductor Corp

NMT: No mount.

These components are compliant with RoHS, and please ask each vendor for details if necessary.

Error! Use the Home tab to apply 見出し 1 to the text that you want to appear here.

8. Ordering Information

Table 5 Ordering Information

Part Number	EV B Revision	Note
S6SBP201A1AVA1001	S6SBP201A-VA1	Mounted IC: S6BP201A1AST2B000
S6SBP202A1FVA1001	S6SBP202A-VA1	Mounted IC: S6BP202A1FST2B000
S6SBP203A8FVA1001	S6SBP203A-VA1 Rev 2.0	Mounted IC: S6BP203A8FST2B000

Revision History



Document Revision History

Document Title: S6SBP201A1AVA1001, S6SBP202A1FVA1001, S6SBP203A8FVA1001 Automotive PMIC Evaluation Kit Operation Manual			
Document Number: 002-08763			
Revision	ECN No.	Origin of Change	Description of Change
**	-	TAOA	New Specification
*A	5085048	TAOA	Updated Table "Evaluation Board Specification "