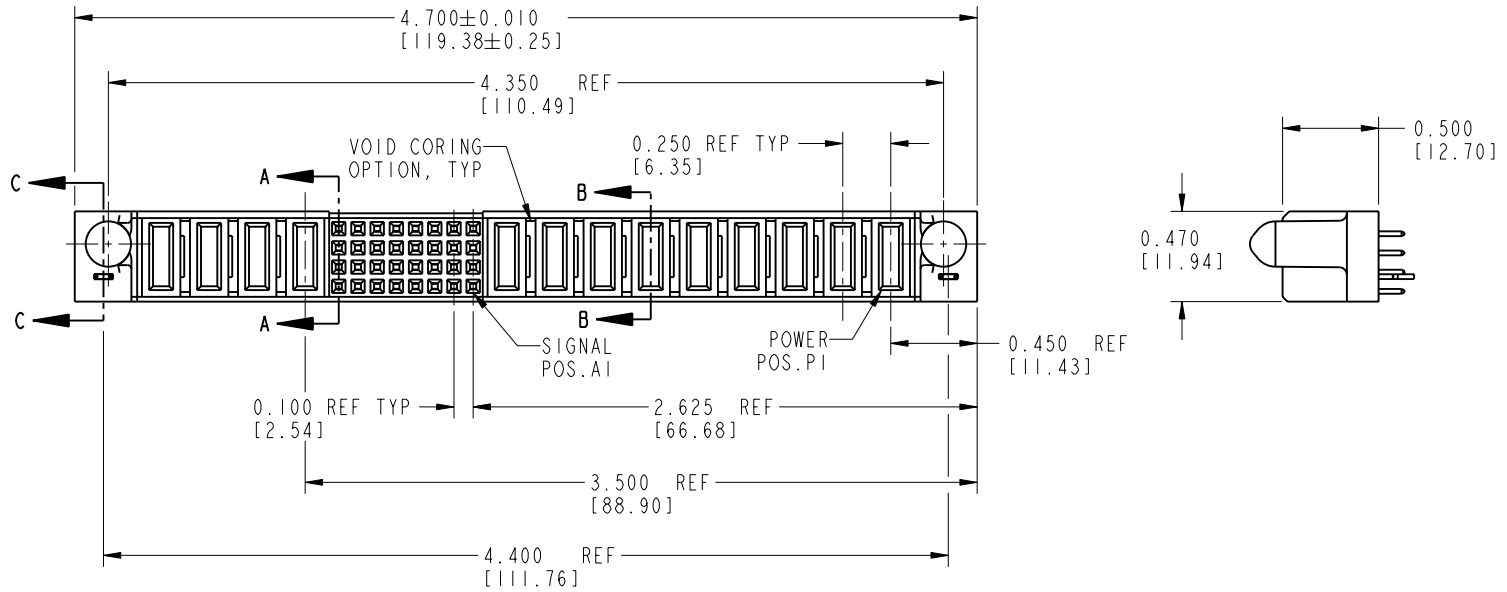


Tous droits strictement réservés. Reproduction ou communication o des liens interdite sous quelque forme que ce soit sans autorisation écrite du propriétaire. Propriété de c FCI. Droits de reproduction FCI.

All rights strictly reserved. Reproduction or issue to third parties in any form, whenever is not permitted without written authority from the proprietor. Property of FCI. Copyright FCI.

PRODUCT No.	ROWS	POWER				SIGNAL								POWER										
		F2	P13	P12	P11	P10	8	7	6	5	4	3	2	1	P9	P8	P7	P6	P5	P4	P3	P2	P1	F1
51633-001-- NOTE: 2	D C B A		PA	PA	PA	PA	E	E	E	E	E	E	E	E	PA	PA	PA	PA	PA	PA	X	PA	PA	



CODE	CONTACT TYPE
E	SIGNAL
PA	POWER
HA	HOLD-DOWN
X	OMITTED

mat'l code				NOTE 1		tolerances unless otherwise specified		CUSTOMER COPY		 www.fciconnect.com	
ltr	ecn no.	dr	date	linear	.XX±.01/.X±.3	projection				title	
H	DG05-0375	GuoJM	10/07/05	angles	.XXX±.005/.XX±.13			9P + 32S + 4P VERTICAL SOLDER RECEPTACLE		product family	
				dr	.XXX±.0020/.XXX±.050	INCH / MM		PwrBlade		code	
				engr	0°±2°	scale		A		213	
				chr		1:1		51633		SHEET 1 OF 3	
				appd							
sheet index	revision sheet	H	H	H							
		1	2	3							

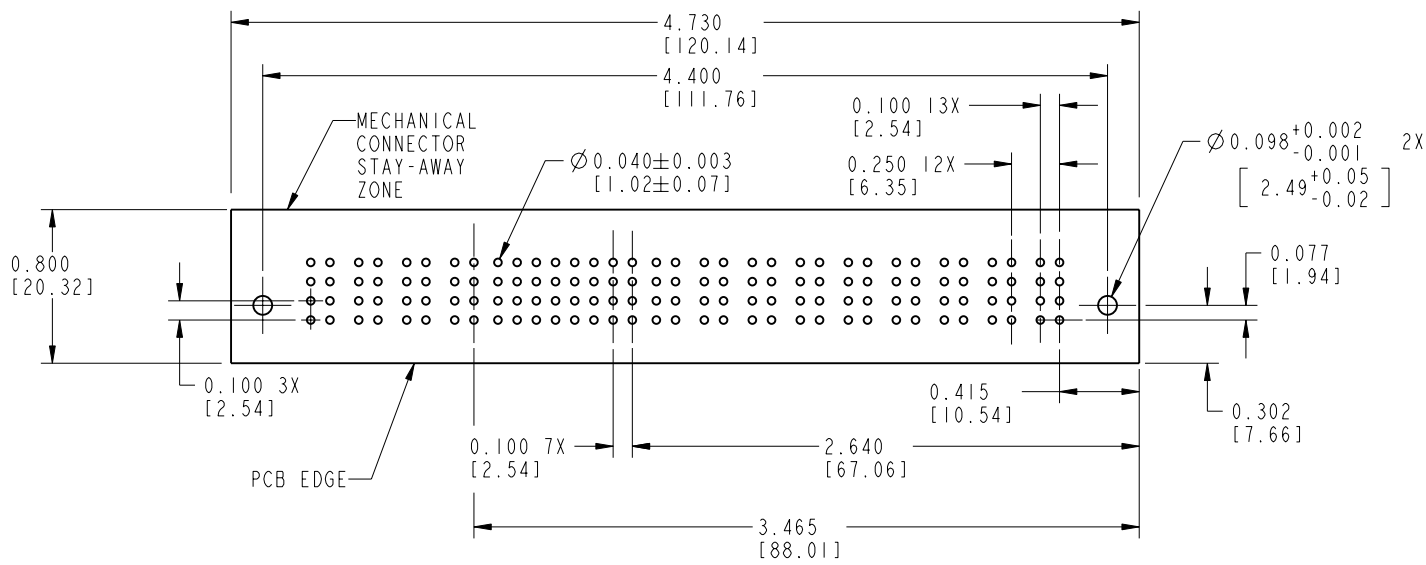
form no. 7530-001-103

code code 22526

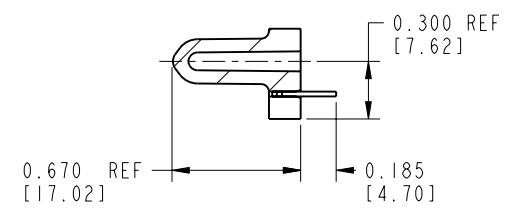
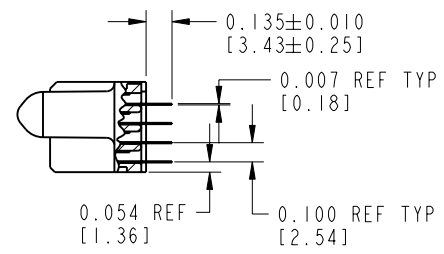
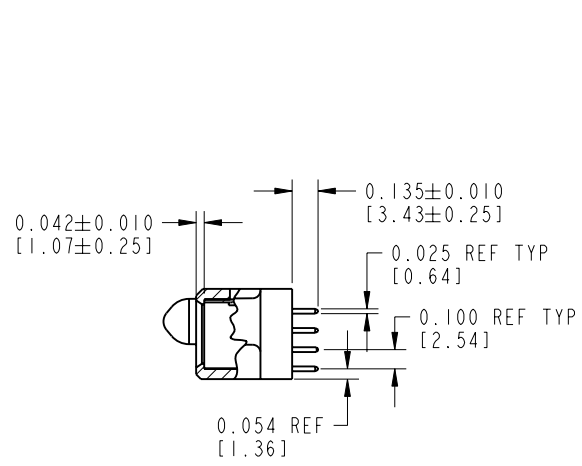
Tous droits strictement réservés. Reproduction ou communication o des liens interdite sous quelque forme que ce soit sans autorisation écrite du propriétaire. Propriete de c FCI. Droits de reproduction FCI.

All rights strictly reserved. Reproduction or issue to third parties in any form, whomever is not permitted without written authority from the proprietor. Property of FCI. Copyright FCI.

PRODUCT NUMBER
51633-001--
NOTE: 2



RECOMMENDED PCB LAYOUT

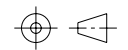
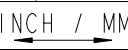


mat'l code				tolerances unless otherwise specified		CUSTOMER COPY	FCI www.fciconnect.com	
lfr	ecr no.	dr	date	linear	.XX±.01/.X±.3	projection	title	9P + 32S + 4P
H					.XXX±.005/.XX±.13		VERTICAL SOLDER RECEPTACLE	
				angles	.XXX±.0020/.XXX±.050		product family	Pwr Blade
				dr	0° ± 2°	INCH / MM	size	code
				engr	C. BAROT 03/08/99	scale	51633	213
				chr	J. BROWN 03/08/99	1:1	SHEET 2	
				appd	J. BROWN 03/08/99			
sheet index	revision sheet						cage code 22526	

Tous droits strictement réservés. Reproduction ou communication o des liers interdite sous quelque forme que ce soit sans autorisation écrite du propriétaire. Propriete de c FCI. Droits de reproduction FCI.

A
FCI

All rights strictly reserved. Reproduction or issue to third parties in any form, whenever is not permitted without written authority from the proprietor. Property of FCI. Copyright FCI.

PRODUCT NUMBER				3		4
51633-001 -- NOTE: 2						
CONNECTOR NOTES:						
1. HOUSING MATERIAL: GLASS FILLED HIGH TEMP THERMOPLASTIC, UL94 V-0 SIGNAL CONTACT MATERIAL: COPPER ALLOY POWER CONTACT MATERIAL: COPPER ALLOY						
2. PLATING:						
51633-001 Singal Pin: 30u"/0.76um Au OVER 50u"/1.27um Ni ON THE CONTACT AREA, AND 100u"/2.54um SnPb PLATING OVER 50u"/1.27um Ni ON THE TERMINATION SECTION. Power Pin: 30u"/0.76um Au OVER 50u"/1.27um Ni ON THE CONTACT AREA, AND 100u"/2.54um SnPb PLATING OVER 50u"/1.27um Ni ON THE TERMINATION SECTION.						
51633-001LF Singal Pin: 30u"/0.76um Au OVER 50u"/1.27um Ni ON THE CONTACT AREA, AND 78u"/2.00um Sn PLATING OVER 50u"/1.27um Ni ON THE TERMINATION SECTION. Power Pin: 30u"/0.76um Au OVER 50u"/1.27um Ni ON THE CONTACT AREA, AND 78u"/2.00um Sn PLATING OVER 50u"/1.27um Ni ON THE TERMINATION SECTION.						
PART NUMBER 51633-001LF MEETS EUROPEAN UNION DIRECTIVE AND OTHER COUNTRY REGULATIONS AS DESCRIBED IN GS-22-008.						
THE HOUSING WILL WITHSTAND EXPOSURE TO 260° PEAK TEMPERATURE FOR 10 SECONDS IN A WAVE SOLDER APPLICATION WITH A CIRCUIT BOARD.						
3. MANUFACTURER NAME, P/N, AND DATE CODE TO APPEAR ON THIS SURFACE.						
PCB NOTES:						
4. ALL DIMENSIONS ARE BASIC UNLESS OTHERWISE SPECIFIED.						
5. ALL THROUGH HOLES ARE LOCATED WITH A TRUE POSITION OF 0.004 [0.10]						
6. ALL HOLE DIAMETERS ARE FINISHED HOLE SIZE						
7. Ø0.098 [2.49] THROUGH HOLES ARE UNPLATED						
8. Ø0.0453±0.0010 [1.151±0.025] DRILLED HOLES PLATED WITH 0.0003 [0.008] MIN SnPb OVER 0.001 [0.03] TO 0.003 [0.08] Cu PLATING TO ACHIEVE A Ø0.040±0.003 [1.02±0.07] HOLE.						
mat'l code		tolerances unless otherwise specified		CUSTOMER		A FCI www.fciconnect.com
lfr	ecn no.	dr	date	COPY		
H				linear	.XX±.01/.X±.3	projection 
					.XXX±.005/.XX±.13	
				angles	.XXX±.0020/.XXX±.050	INCH / MM 
				dr	0°±2°	
				engr	C. BAROT 03/08/99	product family PWRBLADE
				chr	J. BROWN 03/08/99	
				appd	J. BROWN 03/08/99	code 213
sheet index	revision sheet					size A
						dwg no 51633
						SHEET 3

form no. 7530-001-103

cage code 22526