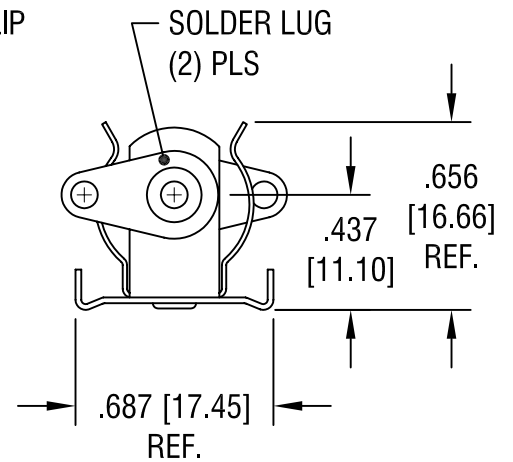
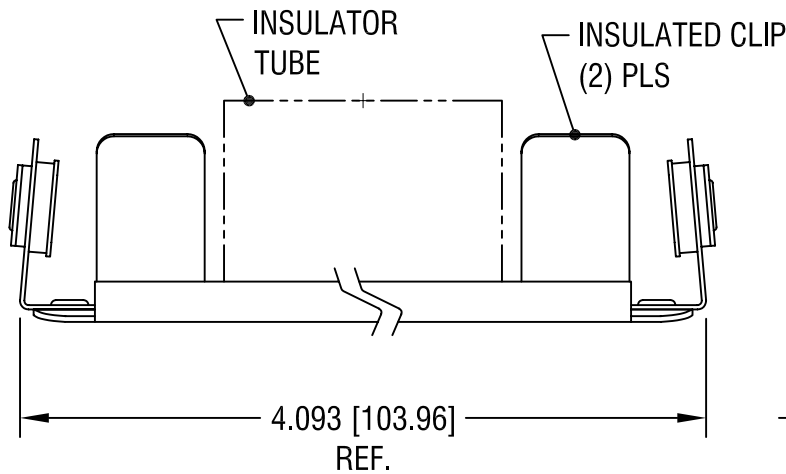
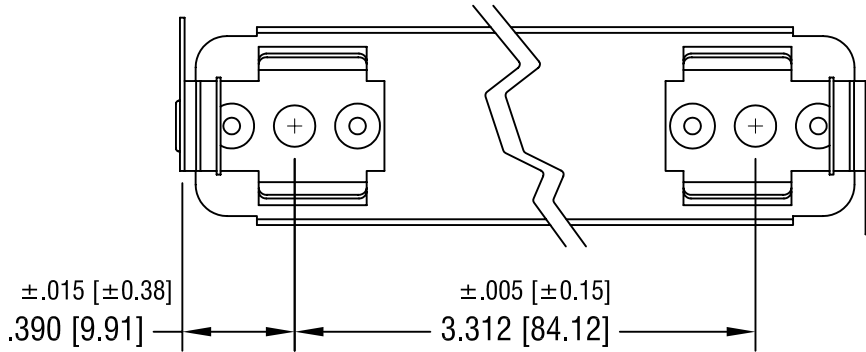


THIS DOCUMENT IS THE PROPERTY OF  
KEYSTONE ELECTRONICS CORP. AND  
SHALL NOT BE REPRODUCED, DISTRIBUTED  
OR USED AS A BASIS FOR MANUFACTURE  
WITHOUT PRIOR WRITTEN PERMISSION  
FROM KEYSTONE ELECTRONICS CORP.



NOTES:

- 1. BASE: MAT'L - STAINLESS STEEL
- CLIP: MAT'L - SPRING STEEL
- FINISH - NICKEL PLATE
- LUG: MAT'L - BRASS
- FINISH - TIN PLATE
- TUBE: MAT'L - WOUND PAPER, BLACK

<b>KEYSTONE ELECTRONICS CORP.</b>			
ASTORIA, N.Y. 11105-2017			
PART NAME			
INSULATED BATTERY HOLDER, (2) 'AA'			
MATERIAL			
AS NOTED			
FINISH		DRN BY	DATE
AS NOTED		BOONE	6.13.00
		APP'D	SCALE
		LN	1.5X
TOLERANCES		DWG NO.	
INCH	[MM]	<b>2189</b>	
DECIMAL	±.010 [±0.25]		
ANGULAR	± 1°		
UNLESS OTHERWISE SPECIFIED		CODE	
		C	

DATE	DESCRIPTION	REV.