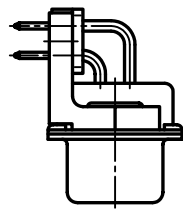
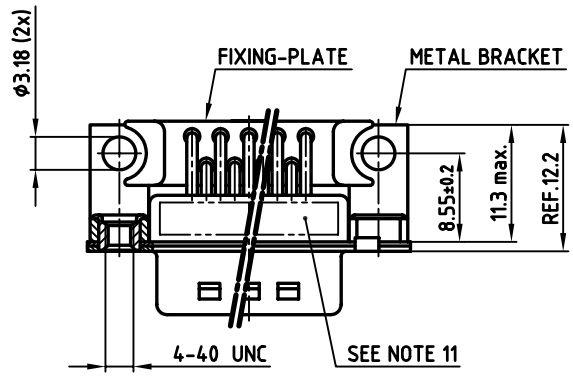
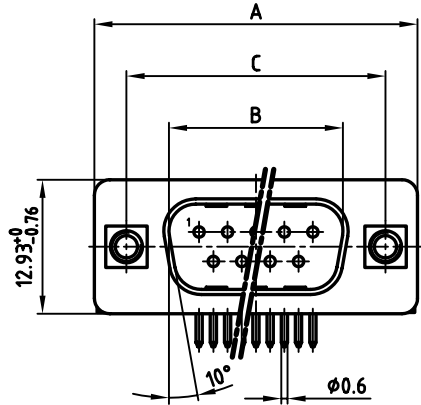
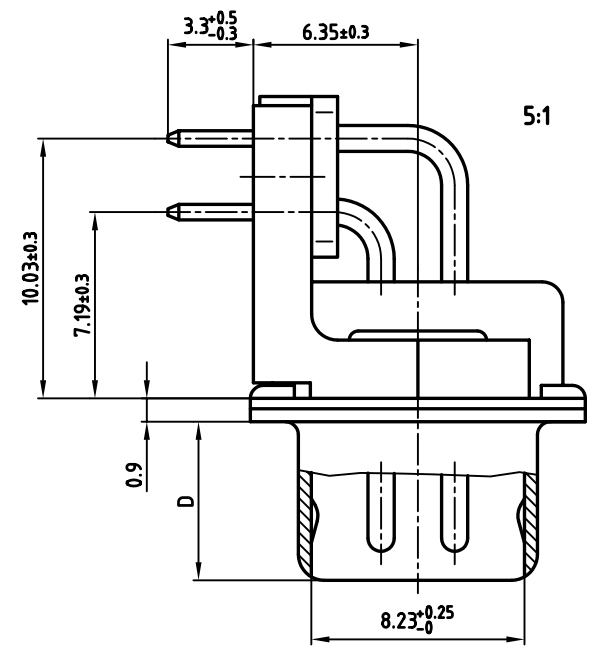


No. of pos.	A <sup>-0.76</sup>	B <sup>+0.25</sup>	C	D <sup>-0.3</sup>	Part NO.
9	31.19	16.79	25.00 <sup>+0.12 -0.13</sup>	6.12	241A19800X
15	39.52	25.12	33.30 <sup>+0.15 -0.1</sup>	6.12	241A19810X
25	53.42	38.84	47.04 <sup>+0.13</sup>	5.99	241A19820X
37	69.70	55.30	63.50 <sup>+0.13</sup>	5.99	241A19830X

used for: D-SUB FILTER



**NOTES:**

- METALSHELLS: STEEL; min. 315µin TIN over 40-80µin NICKEL
- INSULATORS: HIGH TEMPERATURE PLASTIC UL 94 V-0, BLACK
- CONTACTS: COPPER ALLOY  
PLATING: 8µin HARD GOLD OVER min. 50µin NICKEL  
CONTACT TAILS PRETINNED
- METAL BRACKET: ZINC DIE CAST; 300µin COPPER/40-120µin NICKEL/120-200µin TIN
- THREADED INSERT: COPPER ALLOY; min. 200µin TIN over 80µin NICKEL
- FIXING-PLATE: PBT GF UL 94 V-0, BLACK
- P.C.B. HOLE DRILLINGS ON SHEET 2
- CAPACITANCE: 180pF ±20%
- DIELECTRIC WITHSTANDING VOLTAGE: 424 VDC
- MAXIMUM TORQUE VALUE FOR THREAD: 6 in.LB
- CONNECTOR IS PART MARKED: PART-NO. CONEC ABC

Directive 2002/95/EC  
RoHS  
Compliant

APPROVAL # FREIGABE # DEBLOCAGE # AUTORIZACION # APPROVAL

CUSTOMER APPROVAL DATE:

NAME: TITLE:

COMPANY NAME:

APPROVAL # FREIGABE # DEBLOCAGE # AUTORIZACION # APPROVAL

THIS DRAWING MAY NOT BE COPIED OR REPRODUCED IN ANY WAY, AND MAY NOT BE PASSED ON TO A THIRD PARTY, WITHOUT WRITTEN PERMISSION. OWNERSHIP AND COPYRIGHT OF CONEC GmbH DO NOT ALTER CAD DRAWING BY HAND

rev.	description	date	name
a	Origin		

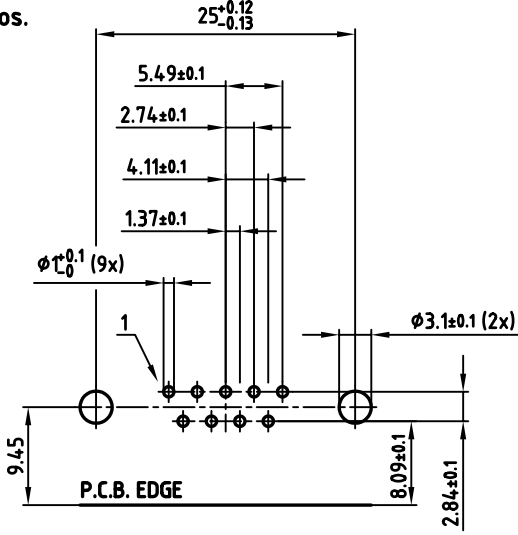
tolerance		scale:	2:1 (5:1)
	dim. in mm	material:	SEE NOTES
2006	date	name	title:
drawn	24.10.	Lehmenkühler	<b>D-SUB FILTER MALE 90°</b>
appd.	24.10.	Mickenbecker	9-37pos. 0.318inch
norm	DIN 41652		with threaded insert, metal bracket, fixing-plate
d-old			dwg no: AutoCAD 2006 DIN-A
			24K1A937
			part no: SEE TABLE



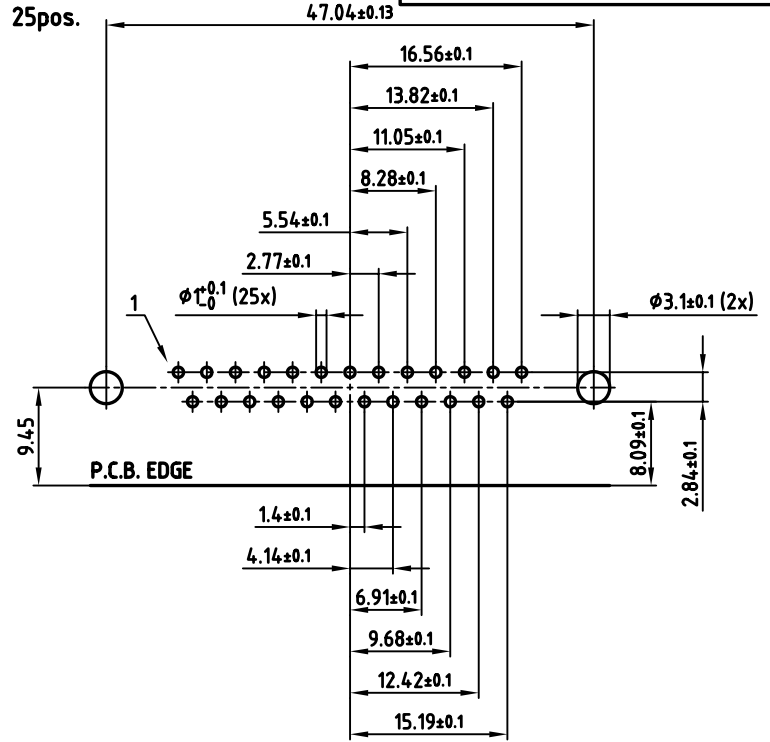
dwg no: AutoCAD 2006 DIN-A

3 sh:1/2

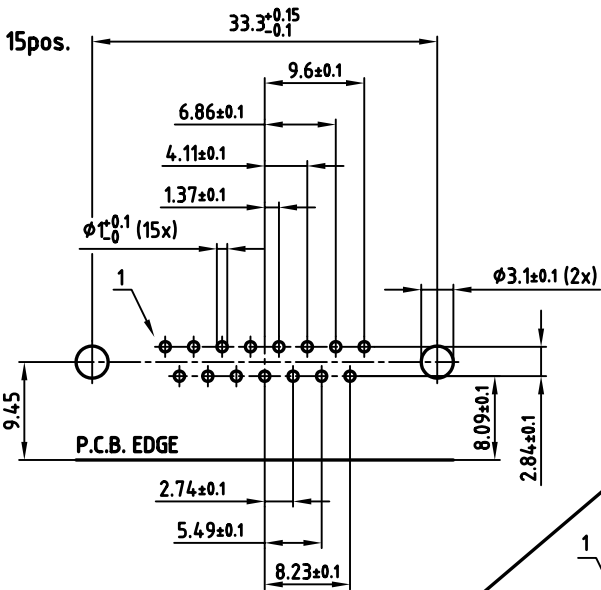
9pos.



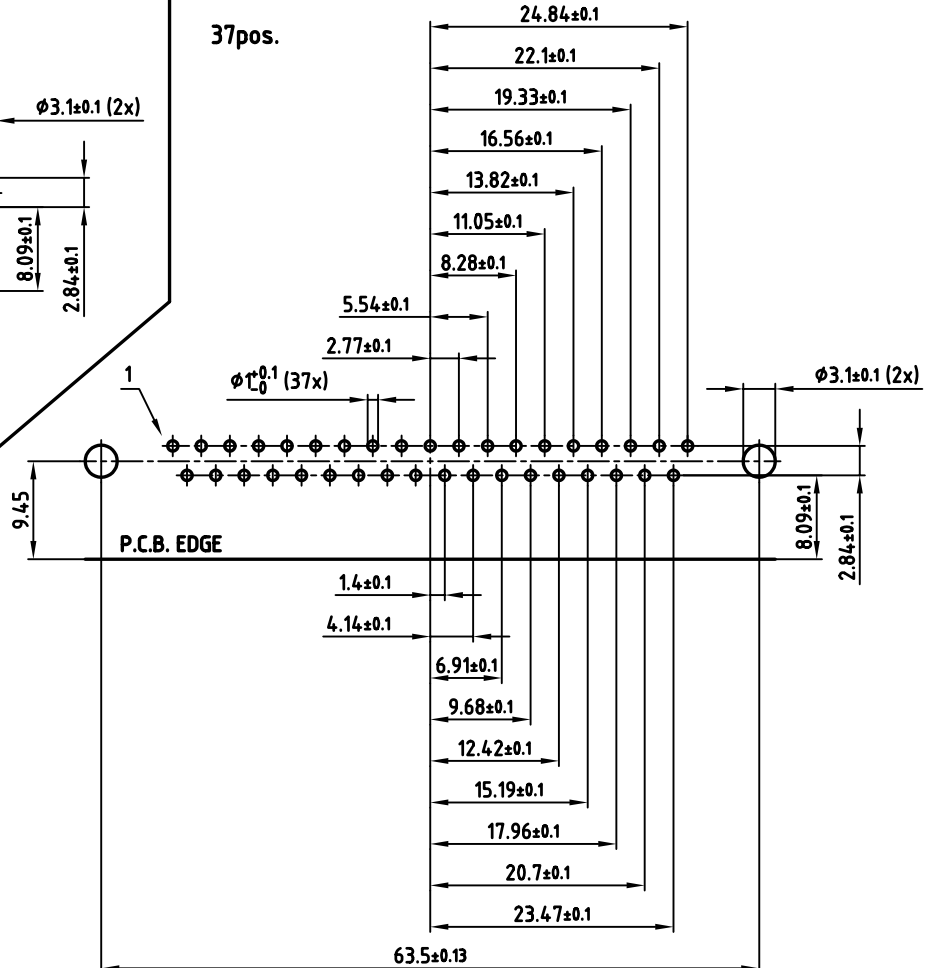
25pos.



15pos.



37pos.



used for: D-SUB FILTER

APPROVAL # FREIGABE # DEBLOCAGE # AUTORIZACION # APPROVAL

CUSTOMER APPROVAL DATE:

NAME: TITLE:

COMPANY NAME:

APPROVAL # FREIGABE # DEBLOCAGE # AUTORIZACION # APPROVAL

THIS DRAWING MAY NOT BE COPIED OR REPRODUCED IN ANY WAY, AND MAY NOT BE PASSED ON TO A THIRD PARTY, WITHOUT WRITTEN PERMISSION. OWNERSHIP AND COPYRIGHT OF CONEC GmbH DO NOT ALTER CAD DRAWING BY HAND

tolerance	dim. in mm	
2006	date	name
drawn	24.10.	Lehmenkühler
appd.	24.10.	Mickenbecker
norm	DIN 41652	
d-old		
a	Origin	
rev.	description	date name

scale: 2:1

material: SEE SHEET 1

title: P.C.B. HOLE DRILLINGS

D-SUB FILTER MALE 90° 9-37pos. 0.318inch with threaded insert, metal bracket, fixing-plate

dwg no: AutoCAD 2006 DIN-A

24K1A937 3 sh:2/2

part no: SEE SHEET 1

6

5

4

2

1