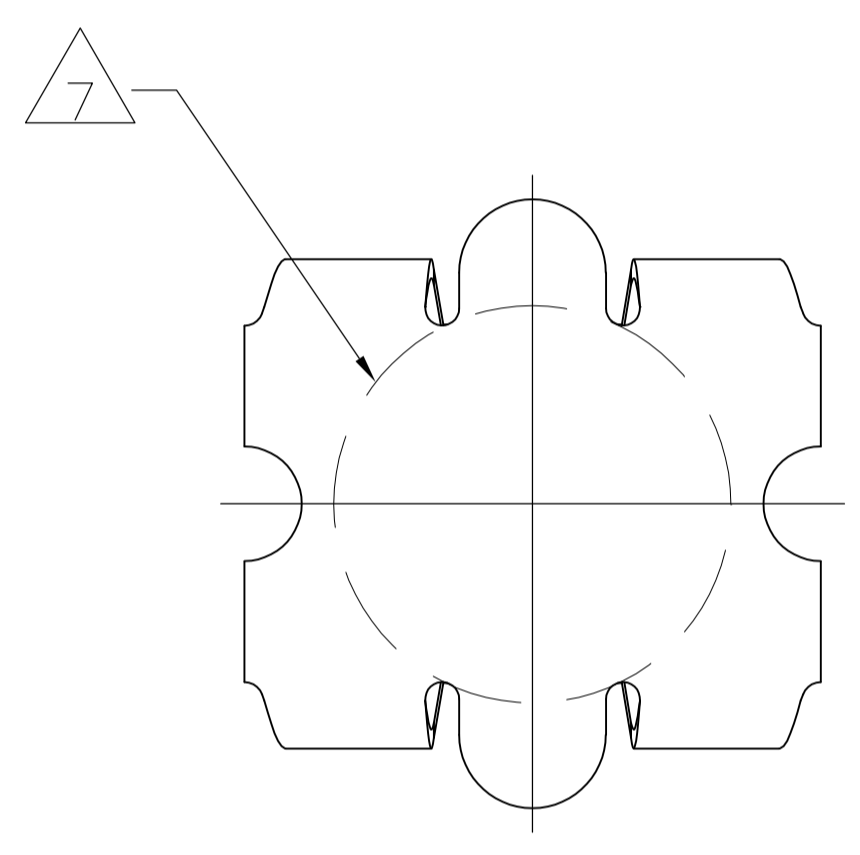
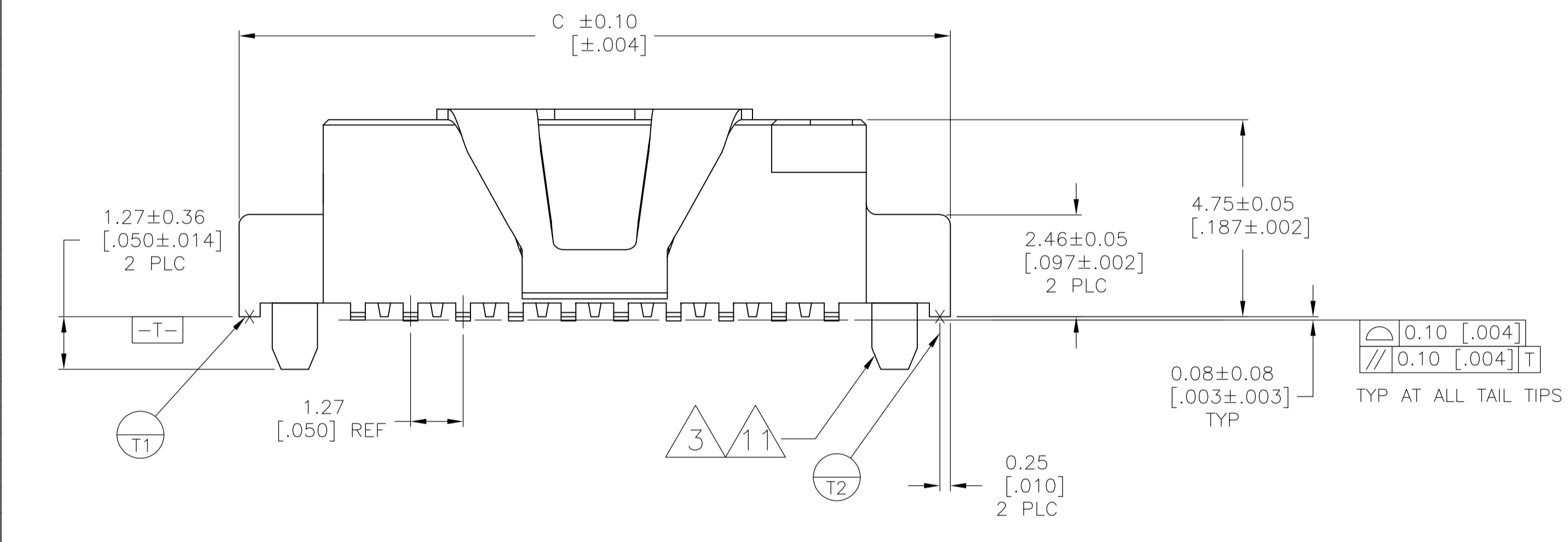
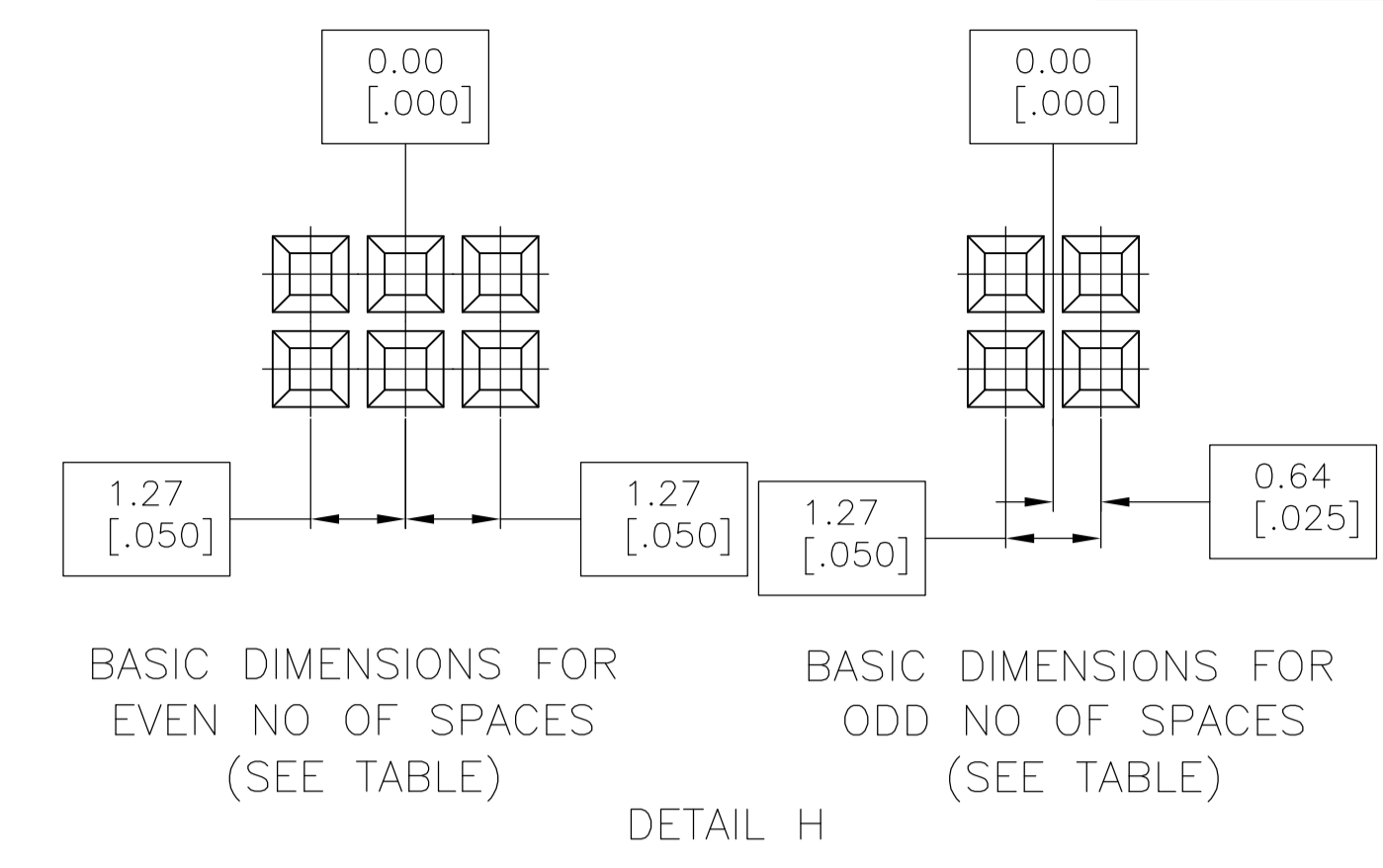
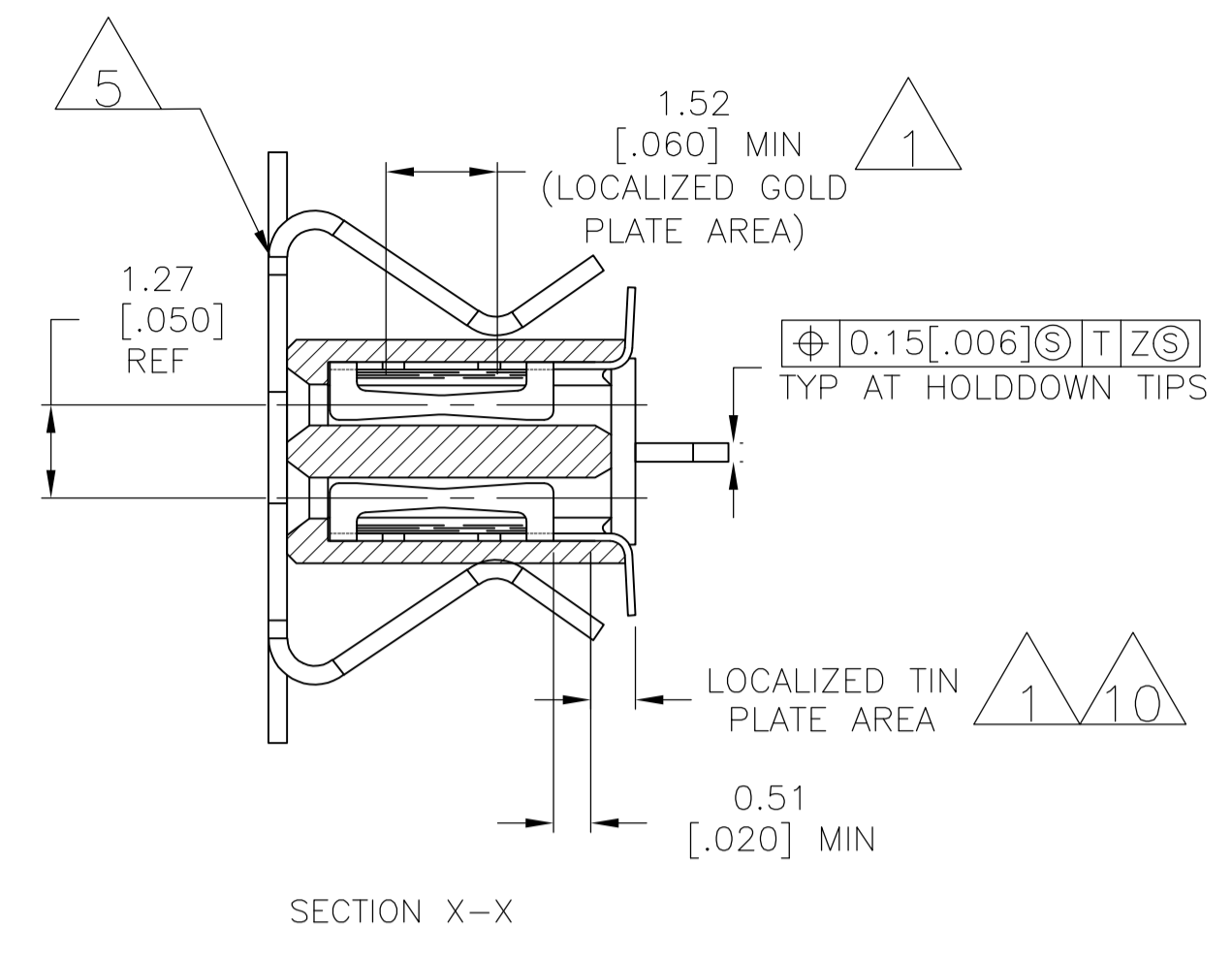
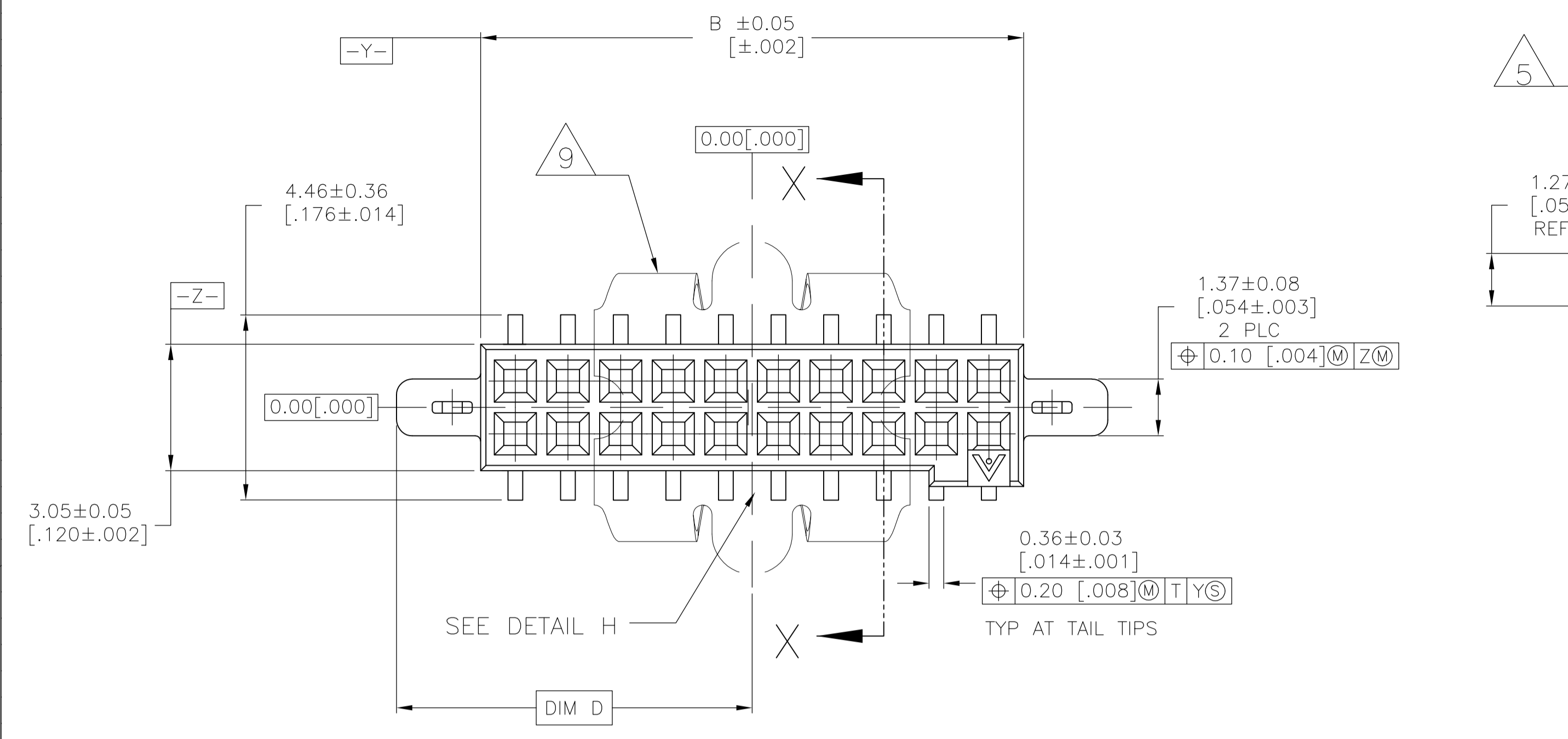
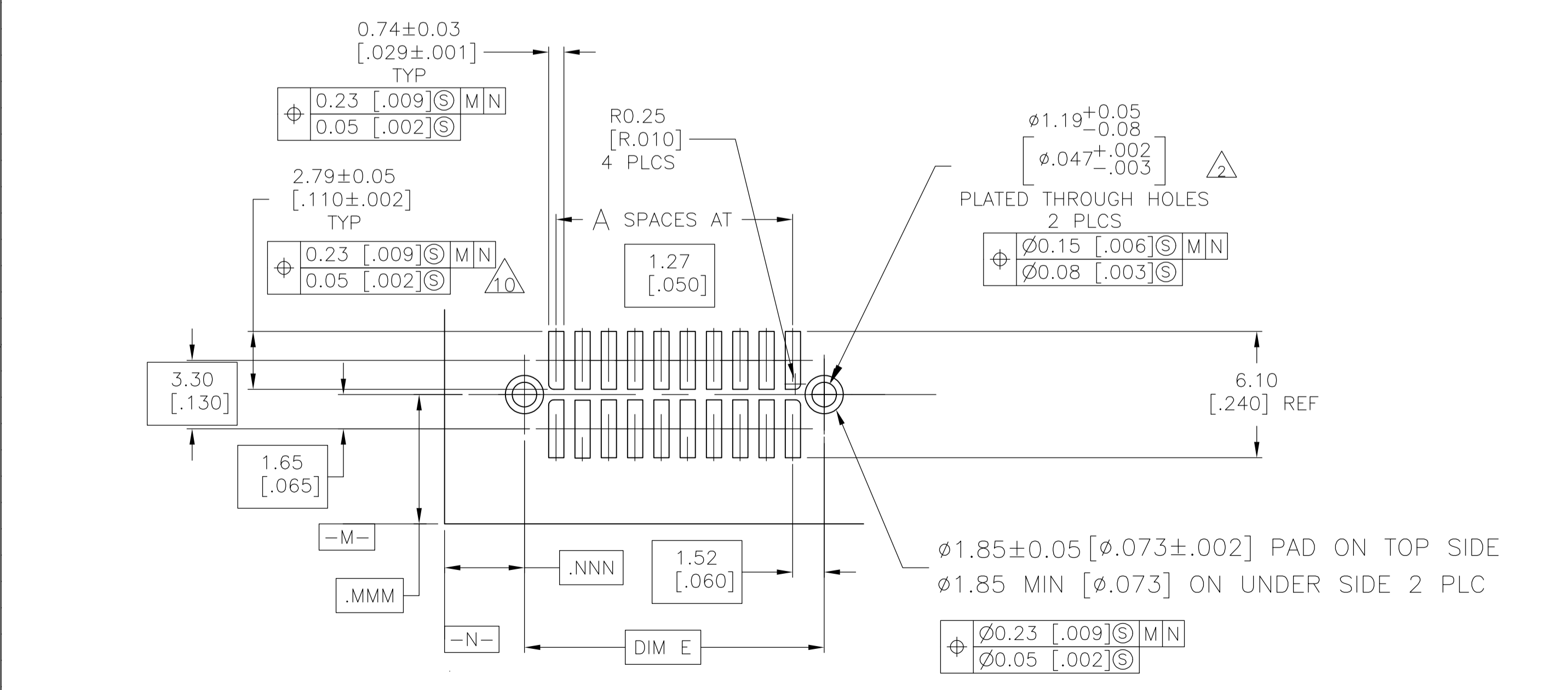


LOC		DIST		REVISIONS			
AD	00	REV	DATE	BY	CHK	APPV	
D	EC 063C 0702 04		01DEC04	BSV	DLS		
D1	REVISED PER ECO-10-000030		05JAN10	KK	AEG		



- 1. 0.00076 [.000030] GOLD IN LOCALIZED PLATE AREA  
0.00381 [.000150] TIN ON SOLDER TAILS  
ALL OVER 0.00127 [.000050] NICKEL
- 2. USE 1.32±0.02 [.0520±.0010] DRILLED HOLE ( #55 DRILL )  
WITH 0.00254(.001) MIN COPPER
- 3. PLATING: 0.0038 [.000150] TIN OVER 0.00127 [.000050] NICKEL
- 4. IF PLANNING TO USE MORE THAN ONE MATING PAIR OF CONNECTORS  
TO INTERCONNECT 2 BOARDS, PLEASE REFER TO PARA. 3.3 IN THE  
APPLICATION SPEC, #114-7010
- 5. VACUUM COVER DESIGNED FOR 4.0 [.160] DIA NOZZLE. VACUUM COVER TO BE REMOVED  
AFTER SOLDERING.
- 6. PACKAGED IN EIA 481 TAPE AND REEL. SEE TABLE FOR TAPE WIDTHS.
- 7. 5.2 [.205] MIN TARGET AREA FOR VACUUM PICK-UP.
- 8. HOUSING: LCP. COLOR-BLACK.  
CONTACT: COPPER ALLOY PER ASTM SPECIFICATION B422.  
LOCATOR: COPPER ALLOY PER ASTM SPECIFICATION B194  
VACUUM COVER: ALUMINUM ALLOY PER ASTM SPECIFICATION 209.
- 9. VACUUM COVER SHOWN IN PHANTOM LINE.
- 10. 0.00076(.000030) GOLD IN LOCALIZED GOLD PLATE AREA, 0.00381(.000150)  
TIN ON SOLDER TAILS, ALL OVER 0.00127 (.000050) NICKEL.
- 11. PLATING 0.00381(.000150) TIN OVER  
0.00127(.000050) NICKEL.
- 12. OBSOLETE PARTS: OBSOLETE CIS STREAMLINING PER D.RENAUD/D.SINISI



RECOMMENDED BOARD LAYOUT  
SCALE 5:1

	72 mm	46.23 [1.820]	23.11 [.910]	48.92 [1.926]	44.86 [1.766]	34	70	10-5-147427-2
<b>12</b> OBSOLETE	56 mm	39.88 [1.570]	19.94 [.785]	42.57 [1.676]	38.51 [1.516]	29	60	10-5-147427-1
	72 mm	46.23 [1.820]	23.11 [.910]	48.92 [1.926]	44.86 [1.766]	34	70	147427-2
	56 mm	39.88 [1.570]	19.94 [.785]	42.57 [1.676]	38.51 [1.516]	29	60	147427-1
	TAPE WIDTH	E	D	C	B	A	NO OF POS	PART NUMBER

THIS DRAWING IS A CONTROLLED DOCUMENT. **Tyco Electronics** Tyco Electronics Corporation, Harrisburg, Pa 17105-3608

DIMENSIONS: mm [INCHES]	TOLERANCES UNLESS OTHERWISE SPECIFIED:	APVD: J. MOSIER	NAME: J. MOSIER
0 PLC ± -	1 PLC ± -	2 PLC ± -	3 PLC ± 0.13(.005)
4 PLC ± -	ANGLES ± -	WEIGHT -	SIZE: A1
MATERIAL -	FINISH -	CUSTOMER DRAWING	SCALE: 10:1

ASSEMBLY, RECEPTACLE, VERTICAL, DOUBLE ROW, SURFACE MOUNT, AMPMODU 50/50 GRID CONNECTOR

00779-147427

SHEET 1 OF 1 REV D1