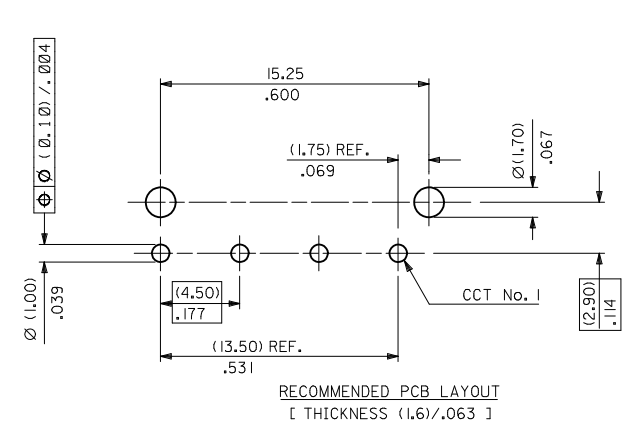
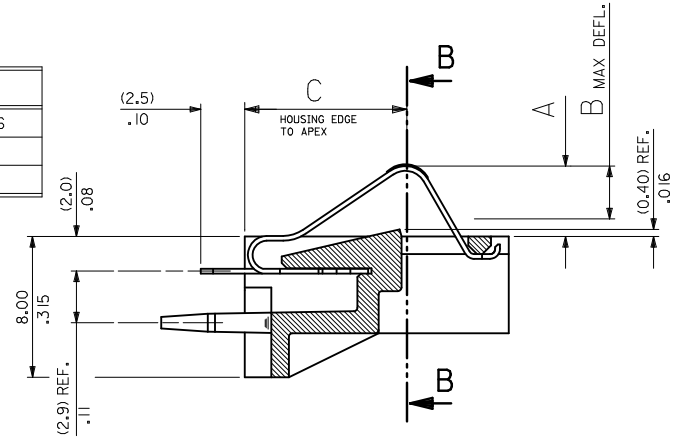


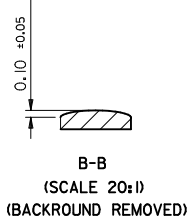
PART NUMBER*	CCT TYPE*	A DIM.	B DIM.	C DIM.
90803-1001	STANDARD	(4.0) / .16	(3.0) / .12	(9.2) / .36

PART NUMBER*	CCTS.	LATE-MATE CCT*	QTY PER TUBE
90803-1001	4	NONE	27



- NOTES:**
- HOUSING: GLASS FILLED NYLON 46, RATED UL 94V-0 COLOUR - BLACK
 - TERMINAL: (0.27) / .011 MIN. REF. THICK COPPER ALLOY (PHOS-BRONZE) PLATING: (0.125) / .005 INCH MIN. GOLD FLASH ON (1.0) / .040 INCH MIN. PALLADIUM NICKEL, WITH (1.75) / .070 INCH MIN NICKEL UNDERPLATE, (3-5) / .120-2.00 INCH TIN IN SOLDER TAIL AREA WITH (1.27) / .050 INCH MIN NICKEL OVERALL
 - PRODUCTS ARE TO BE SUPPLIED IN TUBES

90803-1001 DRAWN FOR CLARITY



OBS 908031002 AS PER GCN# 10531282 EC No: S2012-0685 DRWN:ATSE 2012/03/07 CHKD:SKANG 2012/03/08 APPR:MLONG 2012/04/09	QUALITY SYMBOLS	GENERAL TOLERANCES (UNLESS SPECIFIED)	DIMENSION STYLE	SCALE	DESIGN UNITS	THIRD ANGLE PROJECTION
	F=0 F=0 F=0	mm INCH 4 PLACES ± --- ± --- 3 PLACES ± --- ± --- 2 PLACES ± 0.10 ± --- 1 PLACE ± 0.20 ± --- ANGULAR ± 3°	MM ONLY	NTS	METRIC	
	REV	DESCRIPTION	DRAWN BY	DATE	TITLE	BATTERY CONNECTOR ASSEMBLY 4.50 CENTRES MOLEX INCORPORATED
			BGB	1993/03/12		
DRAFT WHERE APPLICABLE MUST REMAIN WITHIN DIMENSIONS			APPROVED BY	DATE	MATERIAL NO.	SHEET NO.
			BGB	1993/03/12	SEE TABLE	1 OF 1
			THIS DRAWING CONTAINS INFORMATION THAT IS PROPRIETARY TO MOLEX INCORPORATED AND SHOULD NOT BE USED WITHOUT WRITTEN PERMISSION			