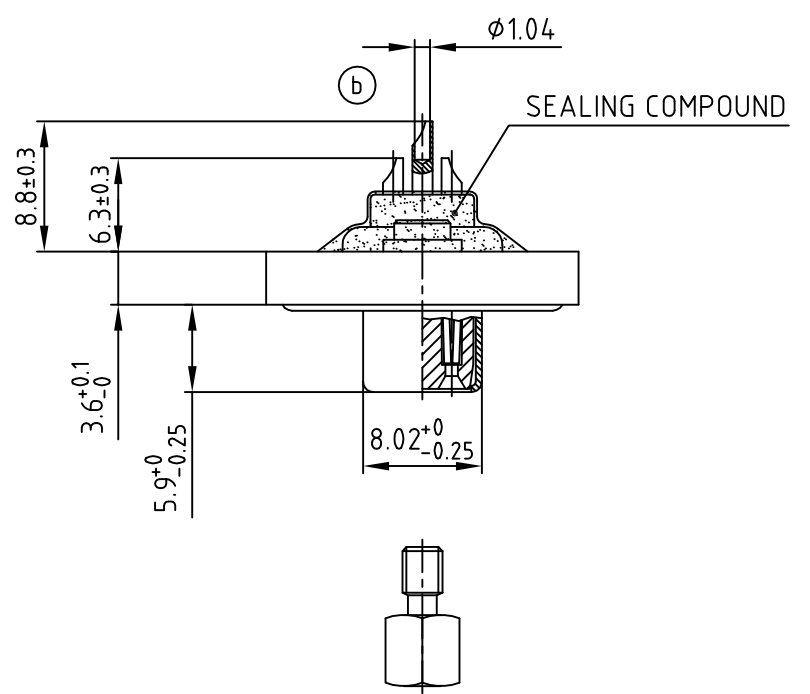
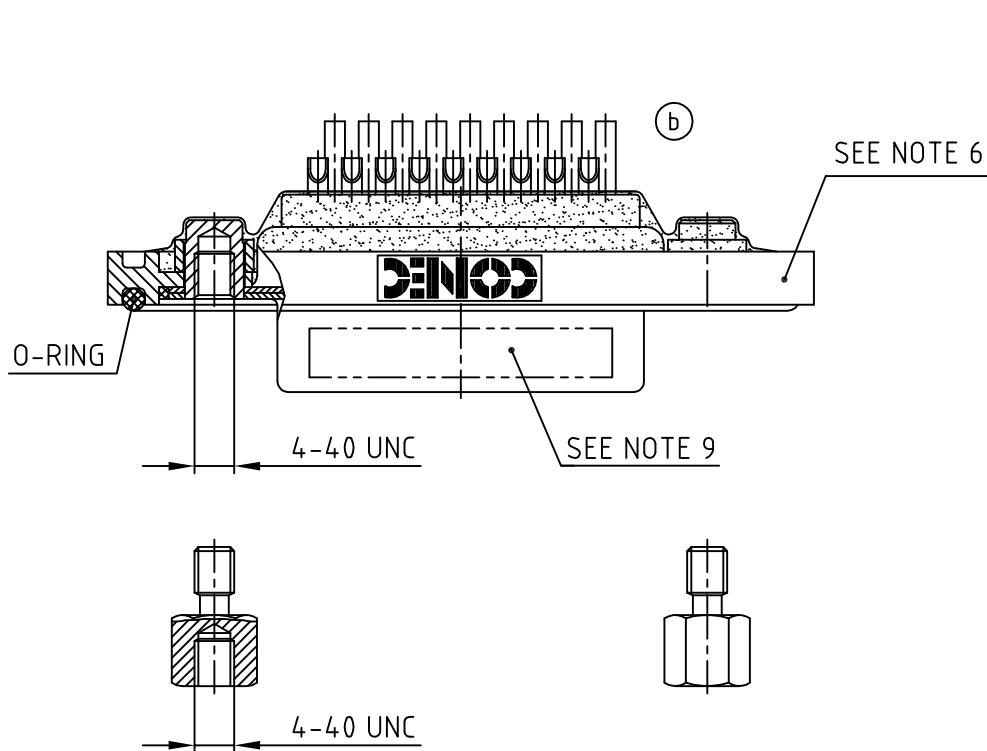
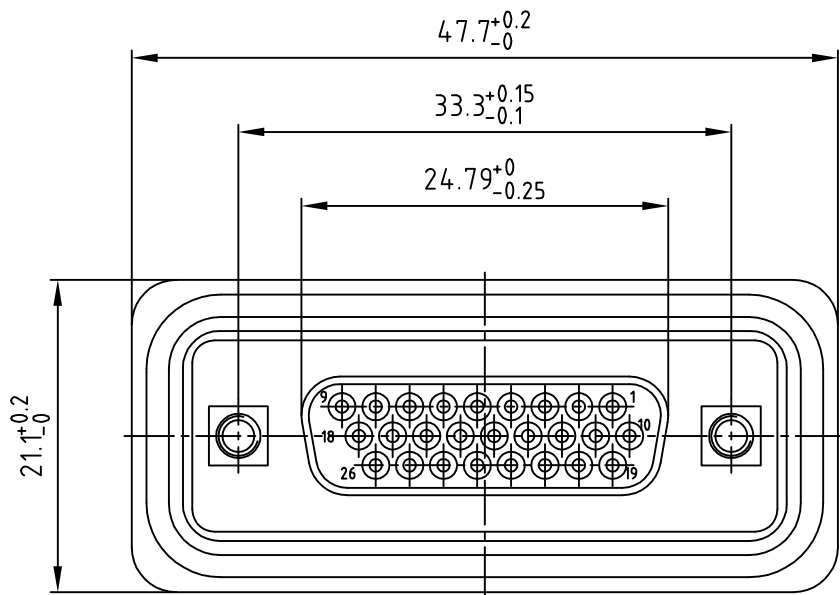


used for: D-SUB HD

AT ALL TIMES WATER RESISTANT CONNECTORS NOT IN USE SHOULD BE COVERED WITH A CONEC WATER RESISTANT CAP OR WATER TIGHT HOOD.



NOTES:

1. METAL SHELLS: COPPER ALLOY; min. 320µin TIN
2. INSULATOR: PBT GF UL 94 V-0, BLACK
3. CONTACTS: COPPER ALLOY
PLATING: GOLD FLASH over NICKEL
SOLDER CUP ACCEPTS CABLE AWG 22
4. THREADED INSERT: COPPER ALLOY; min. 200µin TIN over 80µin NICKEL
5. COLLAR: COPPER ALLOY; min. 200µin TIN over 80µin NICKEL
6. FRAME: ZINC DIECAST; NICKEL PLATED
7. HEXLOCKING SCREW: STAINLESS STEEL
8. MAXIMUM TORQUE VALUE FOR THREAD: 6in LBS
9. CONNECTOR IS PART MARKED: 6HDD26SAM99B30X CONEC ABC

Directive 2002/95/EC RoHS compliant

APPROVAL # FREIGABE # DEBLOCAGE # AUTORIZACION # APPROVAL	
CUSTOMER APPROVAL DATE:	
NAME:	TITLE:
COMPANY NAME:	
APPROVAL # FREIGABE # DEBLOCAGE # AUTORIZACION # APPROVAL	

THIS DRAWING MAY NOT BE COPIED OR REPRODUCED IN ANY WAY, AND MAY NOT BE PASSED ON TO A THIRD PARTY WITHOUT WRITTEN PERMISSION. OWNERSHIP AND COPYRIGHT OF CONEC GmbH DO NOT ALTER CAD DRAWING BY HAND			
2 x b	Ä3900	11.02.2011	Gitinow
a	Origin		
rev.	description	date	name

tolerance	dim. in mm	scale:	2:1
		material:	SEE NOTES
2004	date	name	title: D-SUB HD FEMALE 26pos. SOLDER CUP with threaded insert and hexlocking screw
drawn	28.12.	Lehmenkühler	
appd.	28.12.	Kühle	
norm			dwg no: AutoCAD 2004 DIN-A 18K1A326 3 sh:1/1
d-old			
part no: 6HDD26SAM99B30X			

