

THIS DRAWING IS UNPUBLISHED.

RELEASED FOR PUBLICATION

2011

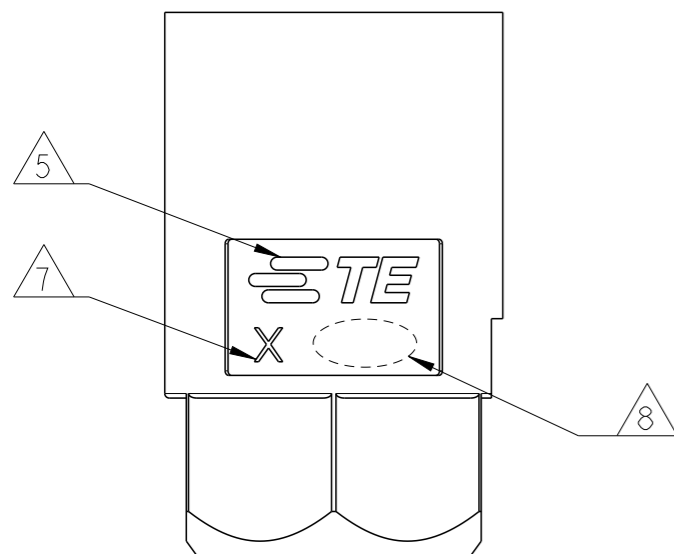
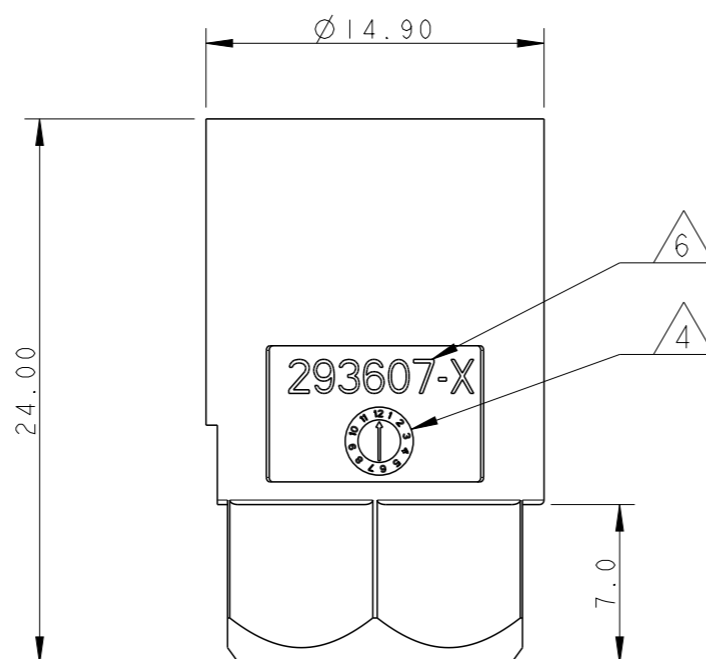
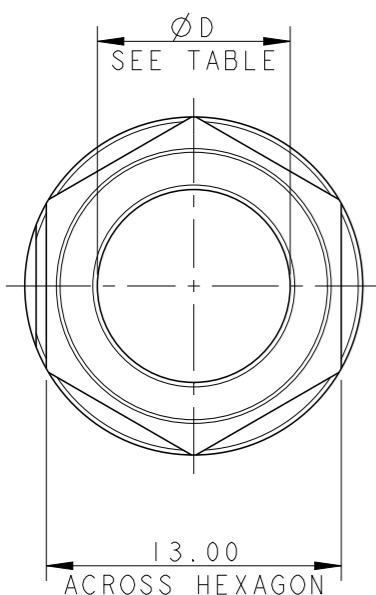
© COPYRIGHT 2011 BY -

ALL RIGHTS RESERVED.

LOC	DIST
1	-

REVISIONS

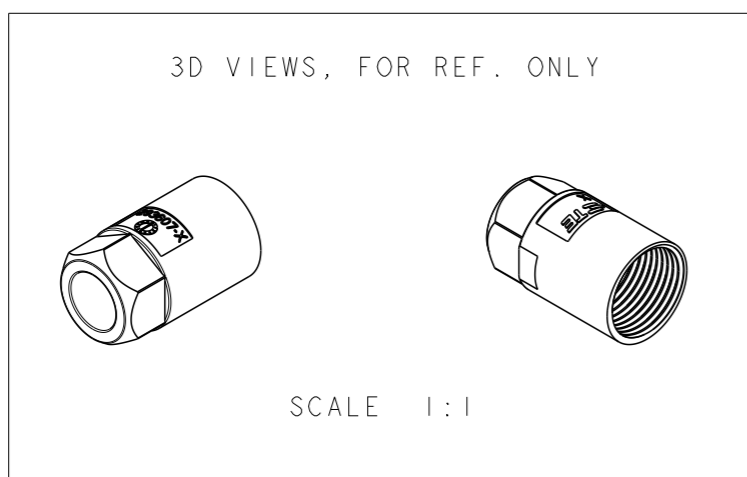
P	LTR	DESCRIPTION	DATE	DWN	APVD
G1		REVISED DRAWING	01NOV2012	MZ	JC
G2		REVISED CABLE RANGE	03JUL2013	MZ	JC
G3		ADDED PARTS -3, -4, 1-3, 1-4 AND REVISED DRAWING	31JUL2013	KR	JC
G4		PARTS -3, 1-3, -4, AND 1-4 RELEASED FOR PRODUCTION	19FEB2015	KR	MZ



NOTES:

- 1 MATERIAL: POLYAMIDE GLASS FILLED COLOUR NATURAL
- 2 MATERIAL: POLYAMIDE GLASS FILLED COLOUR BLACK
- 3) PACKAGING: SEE TE PACKAGING SPECIFICATION 107-20294
- 4 DATE CODE
- 5 TE LOGO
- 6 TE PART NUMBER
- 7 CAVITY MOULD ID
- 8 AREA FOR AGENCY APPROVAL LOGO

NET WT (g)	DIM "D" NOM.	CABLE RANGE DIA. (min - MAX)	CABLE TYPE	MATERIAL / COLOUR	DESCRIPTION	REV.	PART NO.
~1.6	11.10	9.50 - 10.40	3G H05VV-F	2	PLASTIC NUT FOR CABLE RETENTION NECTOR* M-LINE	A	1-293607-4
~1.9	10.10	8.50 - 9.40	3G H05VV-F	2	PLASTIC NUT FOR CABLE RETENTION NECTOR* M-LINE	A	1-293607-3
~1.7	10.00	9.00 - 9.90	3G H05VV-F	2	PLASTIC NUT FOR CABLE RETENTION NECTOR* M-LINE	G	1-293607-2
~2.1	8.50	7.50 - 8.40	3G H05VV-F	2	PLASTIC NUT FOR CABLE RETENTION NECTOR* M-LINE	G	1-293607-1
~1.6	11.10	9.50 - 10.40	3G H05VV-F	1	PLASTIC NUT FOR CABLE RETENTION NECTOR* M-LINE	A	293607-4
~1.9	10.10	8.50 - 9.40	3G H05VV-F	1	PLASTIC NUT FOR CABLE RETENTION NECTOR* M-LINE	A	293607-3
~1.7	10.00	9.00 - 9.90	3G H05VV-F	1	PLASTIC NUT FOR CABLE RETENTION NECTOR* M-LINE	G	293607-2
~2.1	8.50	7.50 - 8.40	3G H05VV-F	1	PLASTIC NUT FOR CABLE RETENTION NECTOR* M-LINE	G	293607-1



THIS DRAWING IS A CONTROLLED DOCUMENT.

DIMENSIONS: mm



TOLERANCES UNLESS OTHERWISE SPECIFIED:

- 0 PLC ±-
- 1 PLC ±0.3
- 2 PLC ±0.20
- 3 PLC ±-
- 4 PLC ANGLES ±-

MATERIAL SEE NOTE 1 AND NOTE 2

FINISH -

DWN 22FEB2010

M. ZUCCA

CHK 22FEB2010

M. ZUCCA

APVD 22FEB2010

G. TURCO

PRODUCT SPEC

108-20304

APPLICATION SPEC

114-20152

WEIGHT SEE TABLE

NAME
STE TE Connectivity
 PLASTIC RING NUT FOR CABLE RETENTION NECTOR* M-LINE

SIZE CAGE CODE DRAWING NO RESTRICTED TO

A300779 C-293607

Customer Drawing SCALE 3:1 SHEET 1 OF 1 REV G4