

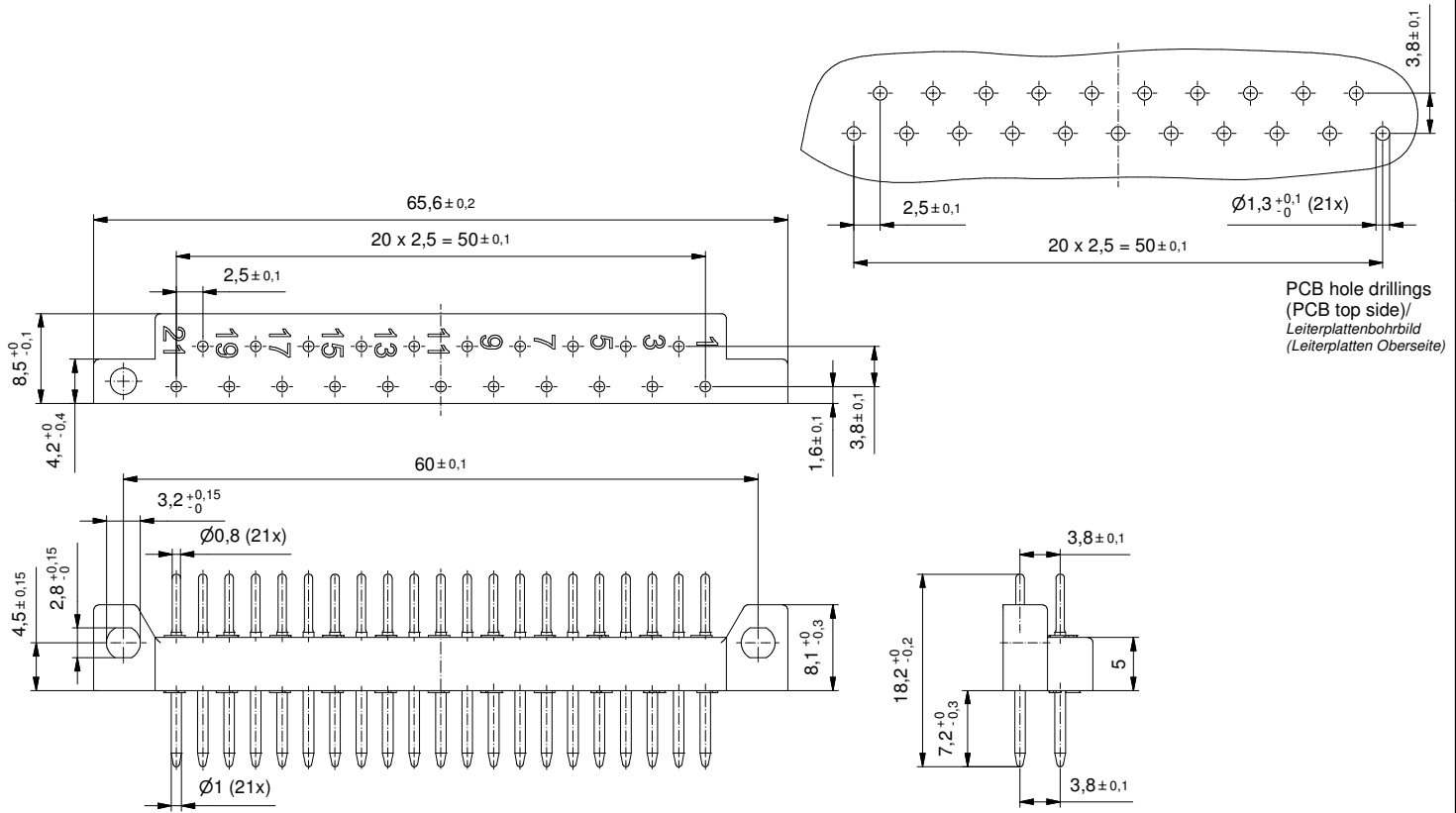
Technical specification:

Technische Daten:

Dielectric withstanding voltage/ Spannungsfestigkeit:	1150 V, 50 Hz 1 min.
Current rating/ Strombelastbarkeit:	4 A max.
Quality class 1 + 2 Gütestufe 1 + 2	4 A max.
Quality class 3/ Gütestufe 3:	2 A max.
Temperature range/ Temperaturbereich:	-65 °C ... +125 °C
Quality class 1 Gütestufe 1	-65 °C ... +125 °C
Quality class 2 Gütestufe 2	-55 °C ... +125 °C
Quality class 3 Gütestufe 3	-25 °C ... +85 °C
Mating cycles/ Steckzyklen:	Quality class 3 = 50 Gütestufe 3 Quality class 2 = 400 Gütestufe 2 Quality class 1 = 500 Gütestufe 1

Materials/ Werkstoffe:

Contact/ Kontakt:	Cu alloy, Au over Ni Contact tails pretinned/ Kontaktspitzen verzinkt
Insulator/ Isolierkörper:	PC GF UL 94 V-1, grey/grau



Part no. / Part marked / Art.-Nr. / Bedruckung:	Quality class / Gütestufe:	Contact plating / Kontakt Veredelung:
101A10059X	3	Gold over nickel / 50 mating cycles Gold über Nickel / 50 Steckzyklen
101B10059X	2	Gold over nickel / 400 mating cycles Gold über Nickel / 400 Steckzyklen
101C10059X	1	Gold over nickel / 500 mating cycles Gold über Nickel / 500 Steckzyklen

Index: b Ä6578 14.03.2017 J.L.	scale/Maßstab: 2:1	dim. in mm	Male connector 21 pos. 0,150 inch / with straight solder pin Messerleiste 21pol. 3,8 mm / mit geradem Lötstift	DIN-A3
Status: InBearbeitung		drawn/ gez. 14.03.17 appd./ gepr. 14.03.17	Name Lehmenkühler Koch	
RoHS compliant/konform		dwg no / Z.-nr.: 10K1A035		1 / 1

The reproduction, distribution and utilization of this document as well as the communication of its contents to others without express authorization is prohibited. Offenders will be held liable for the payment of damages. We reserve the right to withdraw advertising and notices, in whole or in part, at any time without notice.