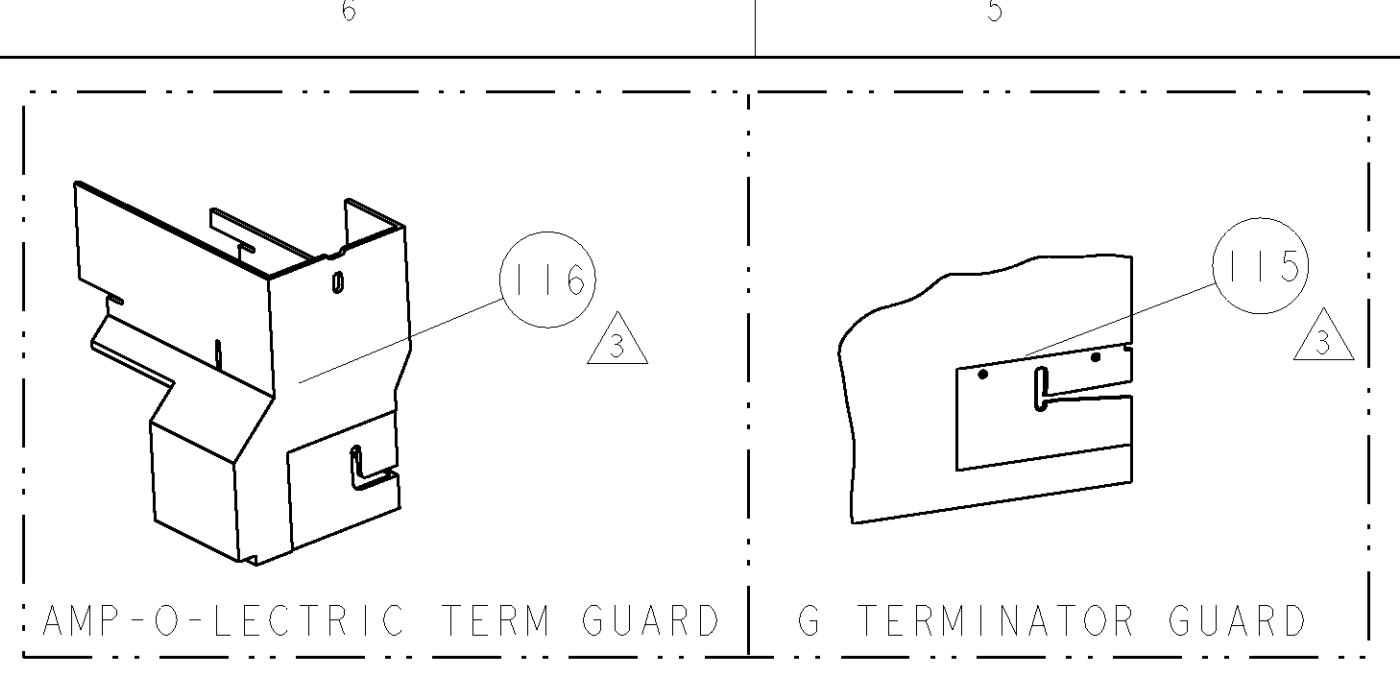


PART NUMBER	REV	FIRST USED	POWER UNIT	FEED TYPE	DESCRIPTION
1852187-1	B	122500-1	LEADMAKER	POST FEED	CUTS CARRIER
1852187-2	B	565435-5	BENCH MODEL K	PRE FEED	CUTS CARRIER
1852187-3	B	354500-1	BENCH MODEL G	PRE FEED	CUTS CARRIER
1852187-6	B	122500-1	LEADMAKER	POST FEED	CONTINUOUS CARRIER
7-1852187-7	A	-	-	-	SPARE PARTS



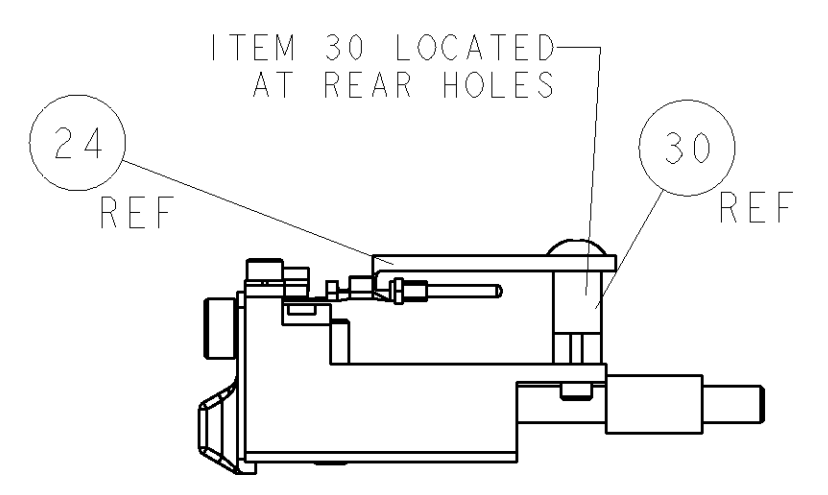
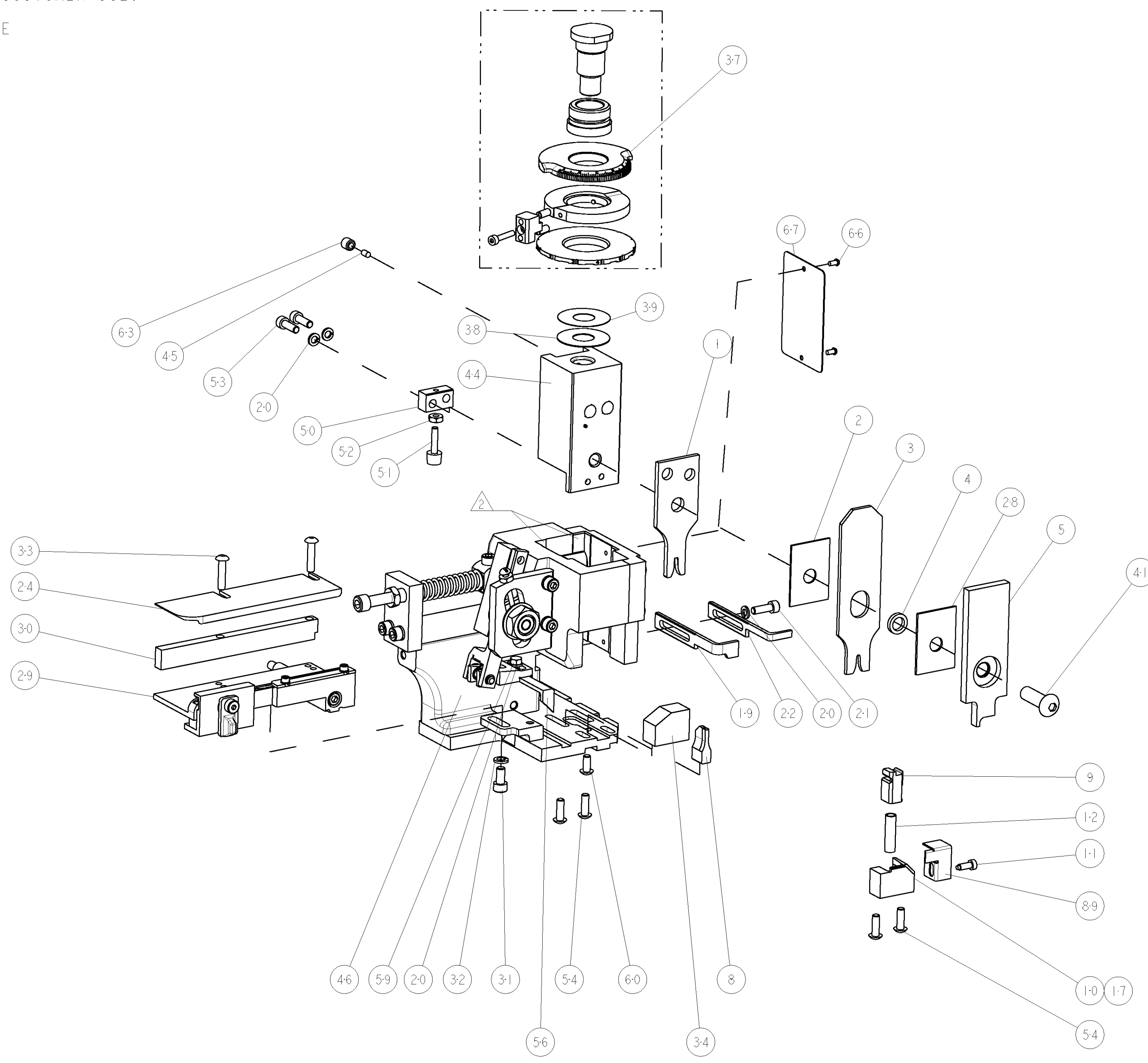
TERMINAL NAME: TAXI TERM - M PIN 1.6				
TYCO ELECTRONICS PN	MANUF PN	PACKARD TERM - PACKARD CRIMP SPECS		
1572914	15424453			
1572930	15424450	PAD LTR	CRIMP HEIGHT	WIRE SIZE
-	-	B9	1.25±0.05mm [.049±.002]	1.0 mm2
-	-	C3	1.20±0.05mm [.047±.002]	0.8 mm2
-	-	D1	1.10±0.05mm [.043±.002]	0.75 mm2
-	-	D5	1.03±0.05mm [.041±.002]	0.5 mm2
-	-	CRIMP	SIZE	TYPE
-	-	WIRE	.087 [2.21mm]	F
-	-	INSUL	.096 [2.44mm]	O
WIRE STRIP LENGTH	TERM APPL SPEC	FEED	APPL INSTRUCTIONS	SET UP GAGE
.154 -.184	NONE	.465	408-8040	458637-1

LOC	DIST	REVISIONS			
A	66	P LTR	DESCRIPTION	DATE	DWN
		A	RELEASE	24JAN2006	MEH
		A1	ECR-07-012805	30MAY2007	MEH
		A2	ECR-07-018521	07AUG2007	MY
		B	ECR-09-005847	12MAR2009	MY

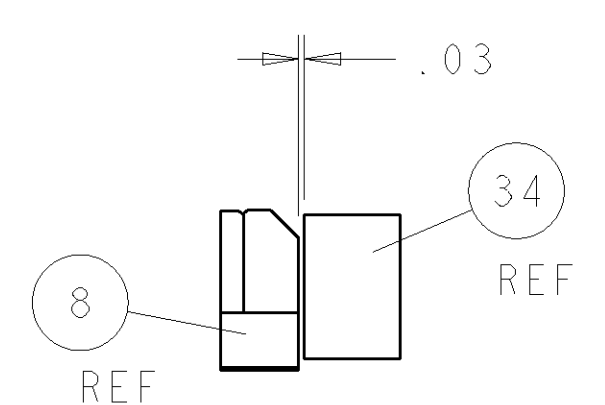
- △ RECOMMENDED SPARE PARTS
- △ GREASE LIGHTLY
- △ GUARD MUST BE IN PLACE WHEN OPERATING APPLICATOR IN A BENCH MACHINE
- △ WIRE SIZE NOT RECOMMENDED BY TYCO. THIS WAS SELF-VALIDATED FOR SPECIFIC CUSTOMER USE.
- 5. FEED ADJUSTMENT AND STRIP GUIDE MAY BE ADJUSTED WHEN SWITCHING TERMINALS.

TERMINAL NAME: FEMALE DELPHI HEAVY DUTY 1.6 (PACKARD CRIMP SPECS)				
TYCO ELECTRONICS PN	MANUF PN	PAD LTR	CRIMP HEIGHT	WIRE SIZE
1572930	15424450	B2	1.35±.05mm [.053±.002]	1.0 mm2
		C0	1.25±.05mm [.049±.002]	0.8 mm2

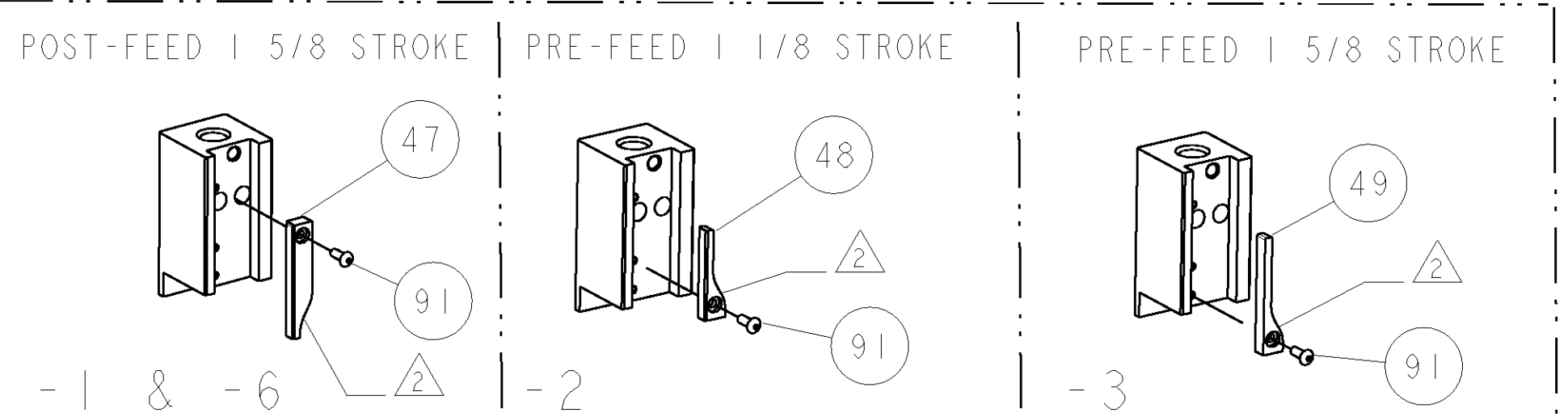
NOTE: CRIMP WIDTH DATA - SAME AS OTHER TABLE.



FEED TRACK POSITION



TERMINAL SUPPORT LOCATION



QTY	REF	DESCRIPTION	ITEM NO
-	-	455749-1 GUARD WINDOW	116
-	-	679532-1 INSERT, GUARD	115
-	1	1-21002-7 SCR, BTN SKT HD CAP 6-32 X .375	91
-	1	318563-1 GUARD, FRONT CHIP	89
-	1	4088040 SF APPL INST 408-8040	72
-	1	217238-1 GENERAL INSTRUCTION PKG	71
-	1	461264-1 PLATE, IDENTIFICATION	67
-	2	21017-2 SCREW, DRIVE	66
-	1	21009-2 SCR, SET, SELF LOCKING 1/4-20 X .250	63
-	1	22733-8 SCR, BHSC, SELF-LOCKING, 8-32 X .375	60
-	1	2-22603-0 SCR, HEX HD CAP 8-32 X .312	59
-	1	458537-2 PAWL, FEED	56
-	4	2-21002-2 SCR, BTN SKT HD CAP 8-32 X .500	54
-	2	2-21000-7 SCR, SKT HD CAP 8-32 X .500	53
-	1	21018-5 NUT, HEX, REG 6-32	52
-	1	811242-2 BUMPER, HOLD DOWN	51
-	1	690753-1 SPACER, TONKER	50
-	-	690602-6 CAM, PRE FEED, 1 5/8	49
-	-	690602-5 CAM, PRE FEED, 1 1/8	48
-	1	690501-4 CAM, POST-FEED 1 5/8	47
-	1	459456-1 APPL. BASIC SUB ASSY (SIDE WISE MOCA)	46
-	1	690191-1 PLUG, NYLON	45
-	1	455673-1 RAM, SIDE FEED	44
-	1	7-21002-9 SCR, BTN SKT HD CAP 5/16-24 X 1.00	41
-	1	690125-1 SHIM SUB-ASSY	39
-	1	469367-9 SHIM	38
-	1	879103-2 FINE ADJUST HEAD SUBASSY	37
-	1	690786-6 TERMINAL SUPPORT	34
-	2	2-21002-4 SCR, BTN SKT HD CAP 8-32 X .750	33
-	1	21024-5 WASHER, SPRG LOCK, REG NO 10	32
-	1	3-21000-4 SCR, SKT HD CAP 10-32 X .375	31
-	1	1-1320908-5 SPACER, STRIP GUIDE	30
-	1	1633091-1 ASSEMBLY, STRIP GUIDE	29
-	1	1-455888-0 SPACER, CRIMPER	28
-	1	1320928-1 PLATE, STRIP GUIDE	24
-	1	690472-2 STRIPPER	22
-	1	2-21000-7 SCR, SKT HD CAP 8-32 X .500	21
-	4	21024-4 WASHER, SPRG LOCK, REG NO 8	20
-	-	691353-1 STRIPPER	19
-	1	679625-1 SHEAR HOLDER, FRONT (NO CUT)	17
-	1	3-22280-3 SPRING, COMPRESSION	12
-	1	690461-1 STOP, SHEAR	11
-	-	690459-1 SHEAR HOLDER, FRONT	10
-	1	1-454276-9 FLOATING SHEAR, FRONT	9
-	1	4-1633116-4 ANVIL, COMBINATION	8
-	1	1-455888-4 DEPRESSOR, SHEAR	5
-	1	1-238011-0 BLOCK, CRIMPER SPACER	4
-	1	6-1583690-0 CRIMPER, INSUL O	3
-	1	455888-8 SPACER, CRIMPER	2
-	1	3-1633305-8 CRIMPER, WIRE PREMIUM	1

TYCO ELECTRONICS CORPORATION

DIMENSIONS: INCHES

TOLERANCES UNLESS OTHERWISE SPECIFIED:

9 PLC	±
1 PLC	±0.1
3 PLC	±0.01
4 PLC	±0.001
ANGLES	±0.0001

MATERIAL: FINISH:

WEIGHT: CUSTOMER DRAWING

SCALE: 3:5 SHEET 1 OF 1 REV B

TYCO ELECTRONICS Harrisburg, PA 17105-3608

PRODUCT SPEC: FINE ADJUST SIDE FEED HDM APPLICATOR

SIZE: 00779 C=1852187

CUSTOMER VIEWABLE ASSEMBLY