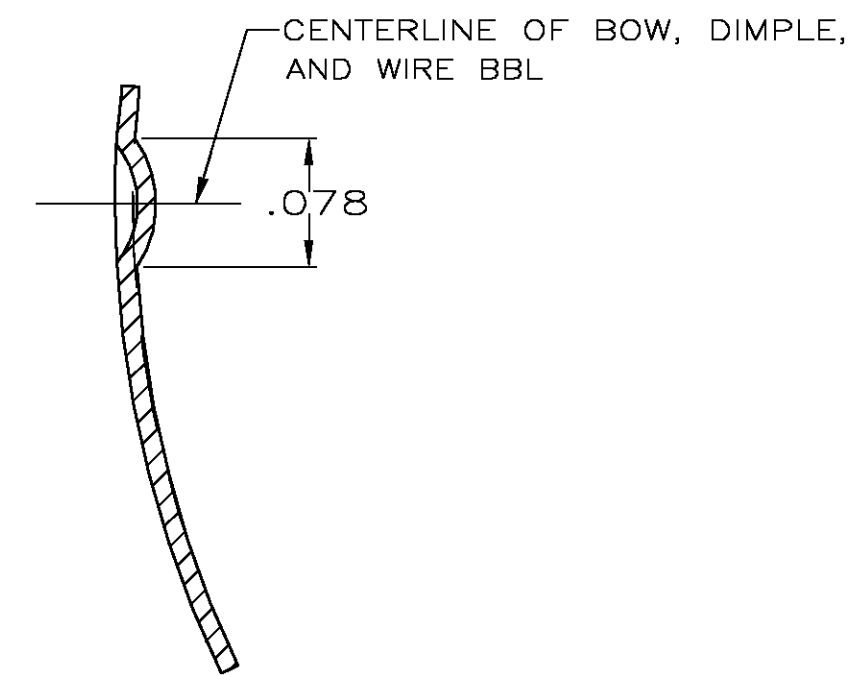
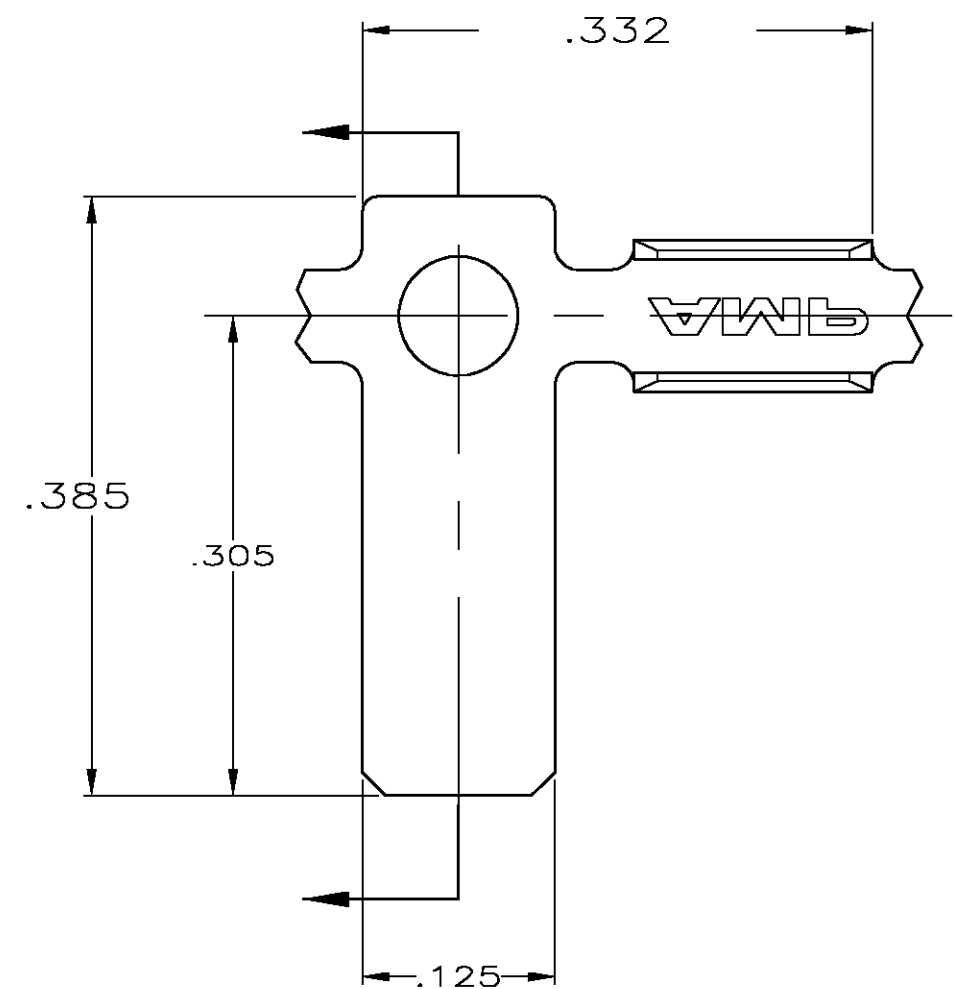
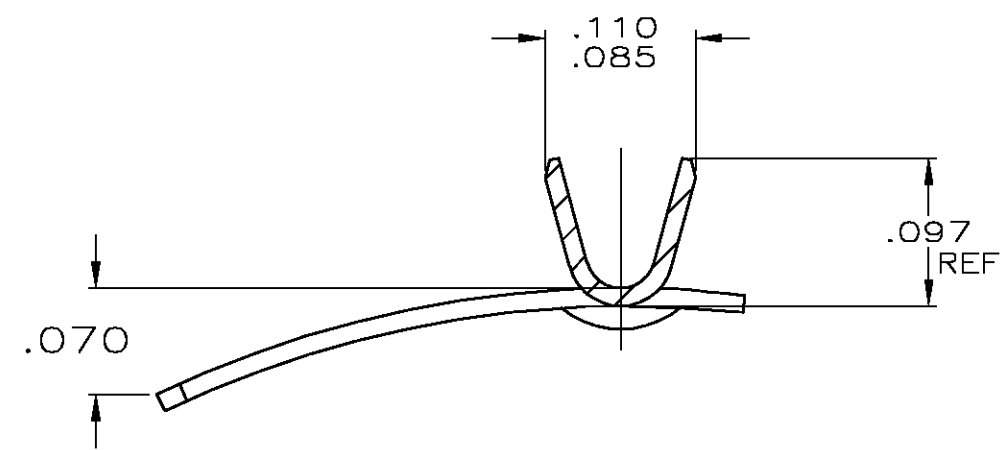
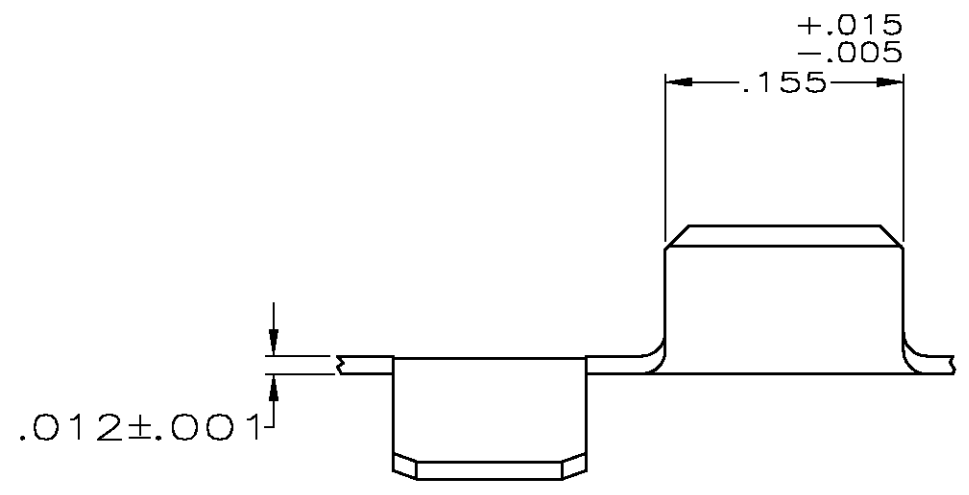


THIS DRAWING IS UNPUBLISHED. RELEASED FOR PUBLICATION
 © COPYRIGHT - BY TYCO ELECTRONICS CORPORATION. ALL RIGHTS RESERVED.

LOC	DIST	REVISIONS			
P	LTR	DESCRIPTION	DATE	DWN	APVD
AF	50	F	REVISED PER 0G3A-0173-04	16MAR04	MF GP



- 1 CONTINUOUS STRIP ON REELS.
- 2 WIRE SIZE IS #20-#18 AWG



REVERSE REELING	1217698-2
-	1217698-1
REELING	PART NO.

THIS DRAWING IS A CONTROLLED DOCUMENT.		DWN	JR RUTH	15AUG01	Tyco Electronics Corporation Harrisburg, Pa 17105-3608								
DIMENSIONS: INCHES		CHK	G PORTA	20AUG01									
		APVD	G PORTA	20AUG01									
TOLERANCES UNLESS OTHERWISE SPECIFIED: 0 PLC ± - 1 PLC ± - 2 PLC ± - 3 PLC ± .010 4 PLC ± - ANGLES ± -		PRODUCT SPEC	NAME			BRUSH CONTACT							
MATERIAL	H04 PHOS BRONZE	FINISH	-		SIZE	A3	CAGE CODE	00779	DRAWING NO	C-1217698	RESTRICTED TO	-	
CUSTOMER DRAWING						SCALE	8:1	SHEET	1	OF	1	REV	F