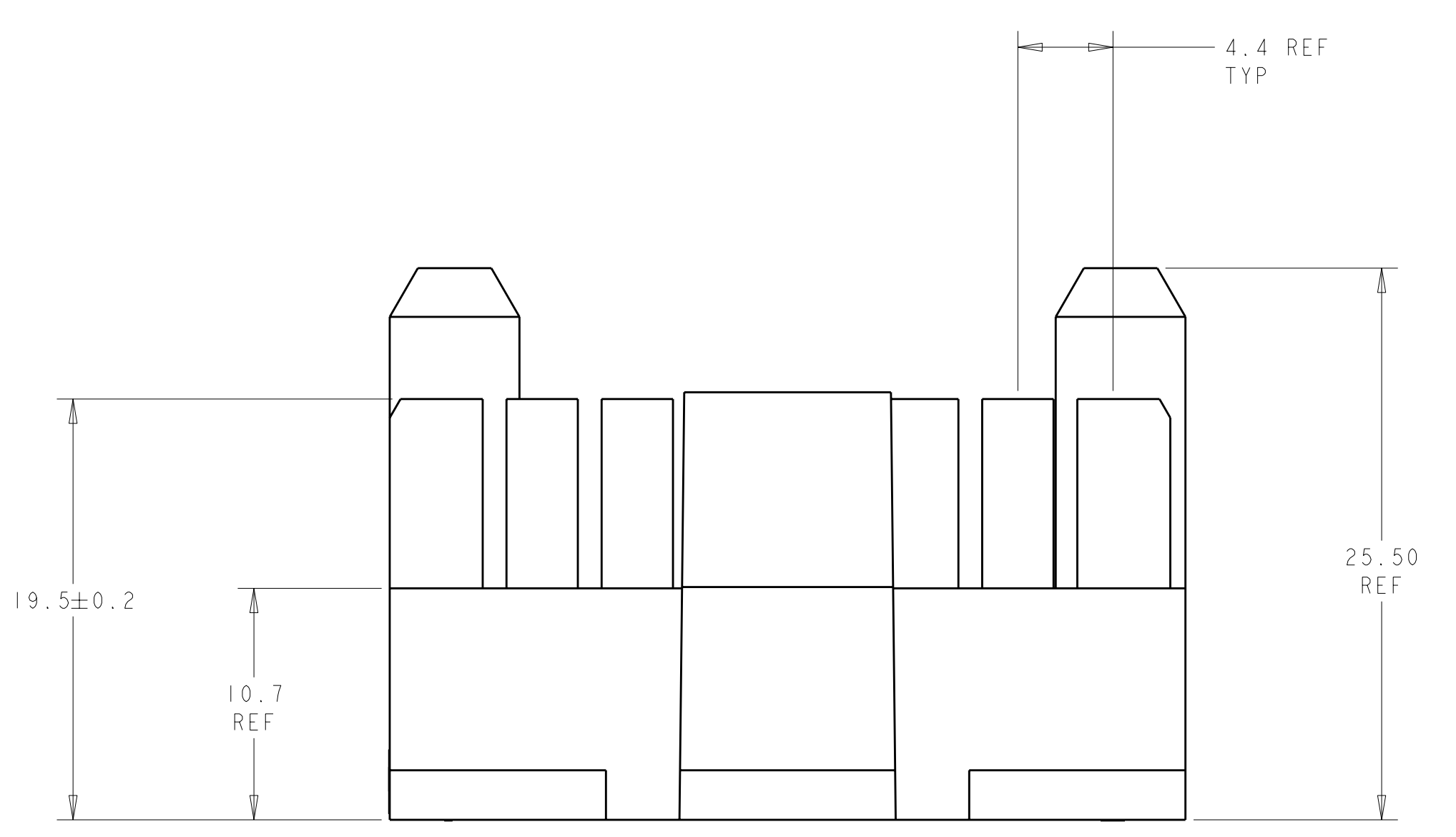
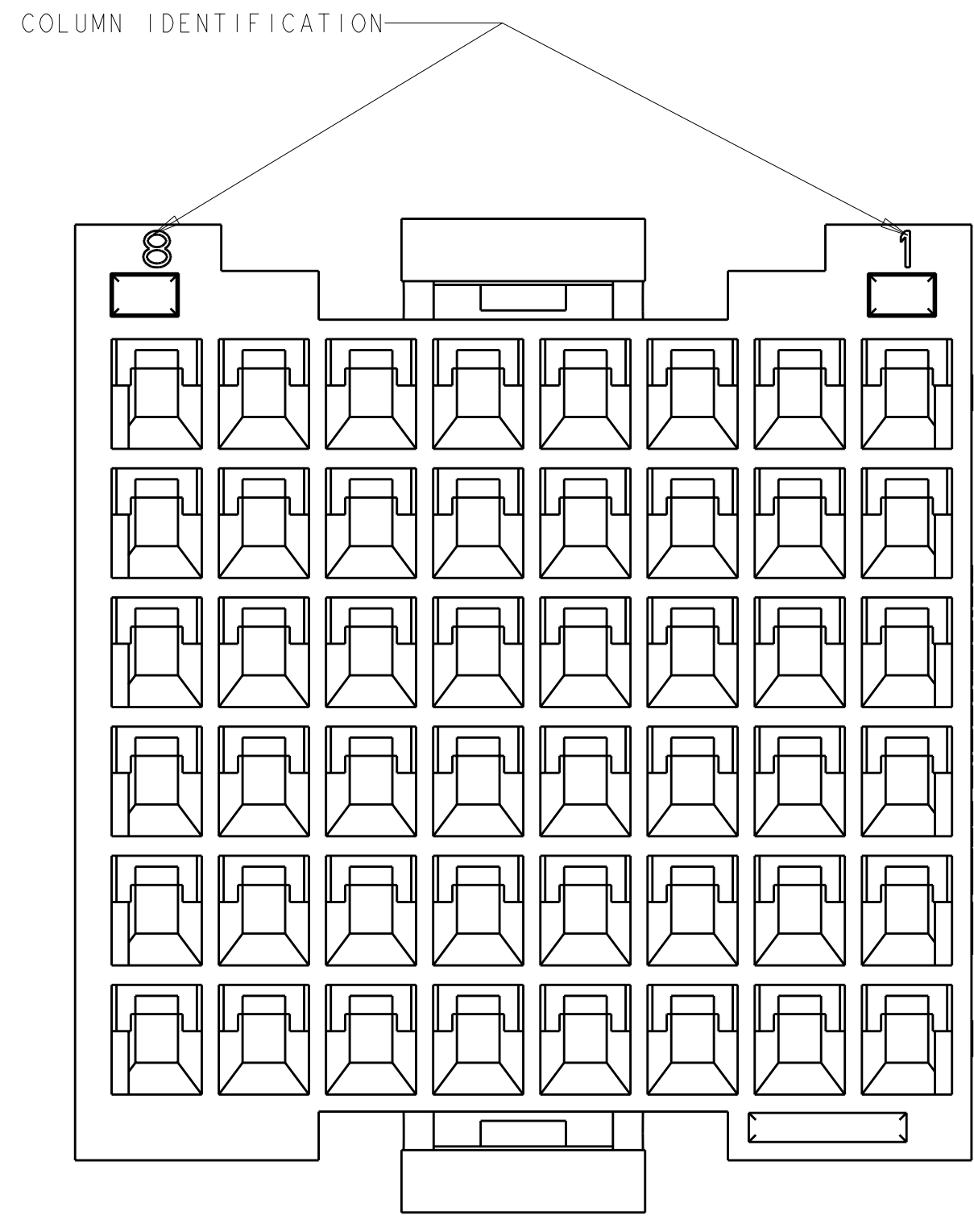
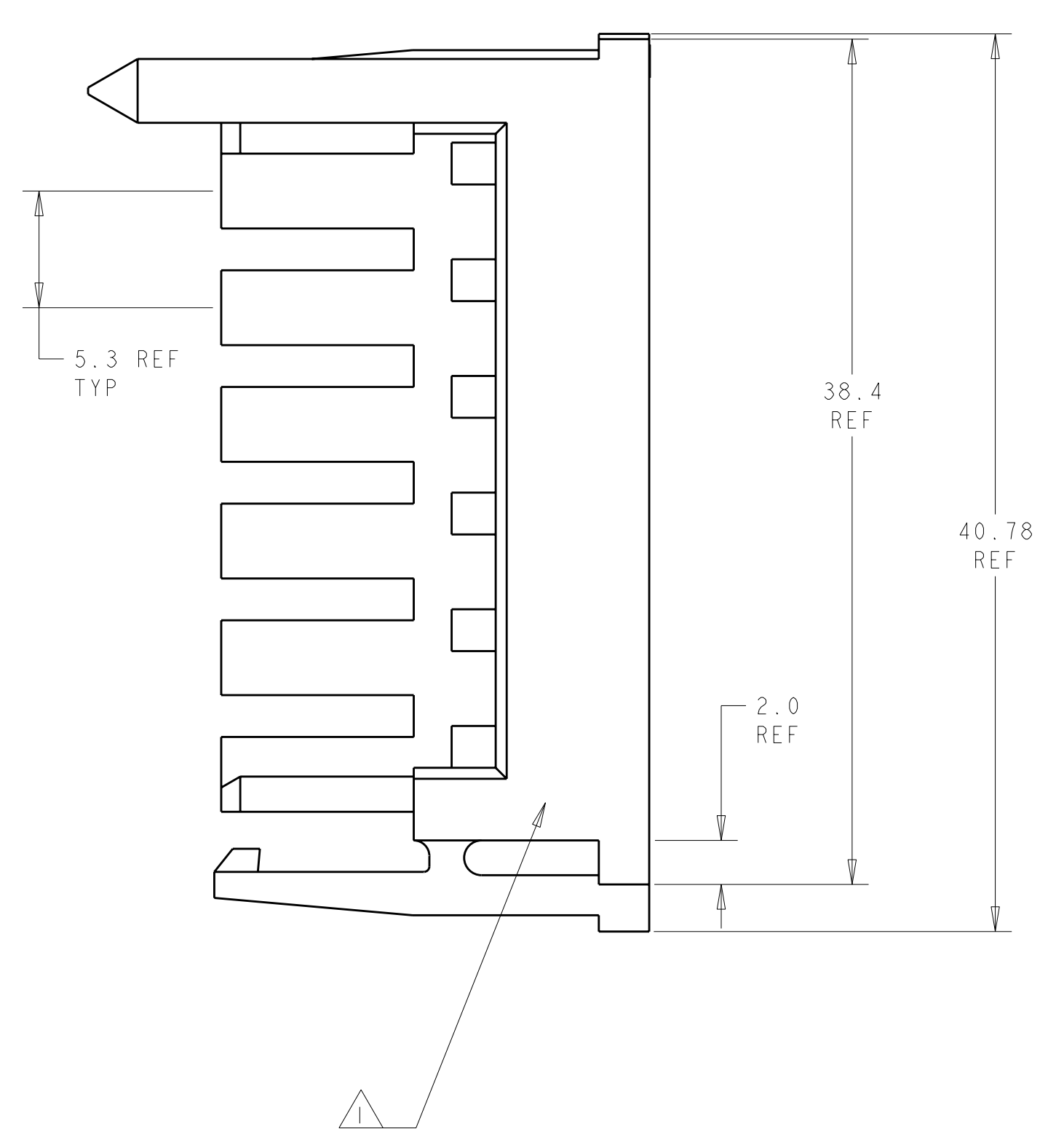
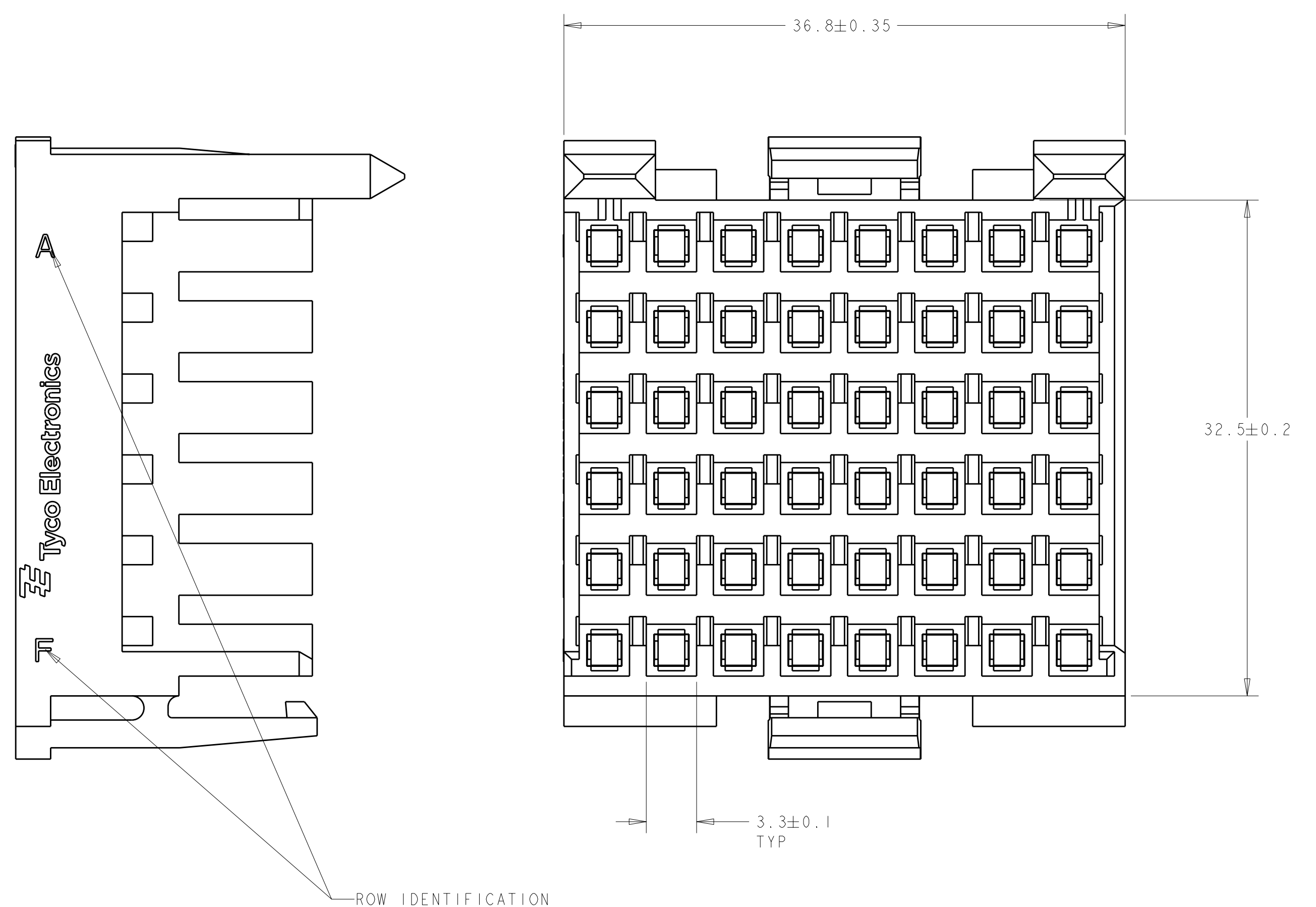


LOC	DIST	REVISIONS					
AD	00	P	LTN	DESCRIPTION	DATE	DWN	APVD
		A		RELEASED PER ECO-07-017382	01AUG2007	WS	AF



△ PBT UL94V-0.

CONFIDENTIAL

THIS PRODUCT HAS NOT COMPLETED VALIDATION TESTING

1934144-1
PART NUMBER

<small>THIS DRAWING IS UNPUBLISHED. RELEASED FOR PUBLICATION. ALL RIGHTS RESERVED. THIS IS SUBJECT TO CHANGE WITHOUT NOTICE AND WITHOUT OBLIGATION. SHOULD BE CONTACTED FOR THE LATEST REVISION.</small>		DWN: C. RITZER 01FEB2006 CHK: R. WHITEMAN 01FEB2006	tyco Electronics Tyco Electronics Harrisburg, PA 17105-3608
DIMENSIONS: mm 	TOLERANCES UNLESS OTHERWISE SPECIFIED: 0 PLC ± 1 PLC ± 2 PLC ± 3 PLC ± 4 PLC ± ANGLES ±	NAME: R. WHITEMAN PRODUCT SPEC: 108-2248 APPLICATION SPEC: 114-13195 WEIGHT: - CUSTOMER DRAWING	NAME: 48 POSITION RECEPTACLE HOUSING AMP-DUAC UPC SIZE: A 00779 C=1934144 SCALE: 4:1 SHEET: 1 OF: 1 REV: A