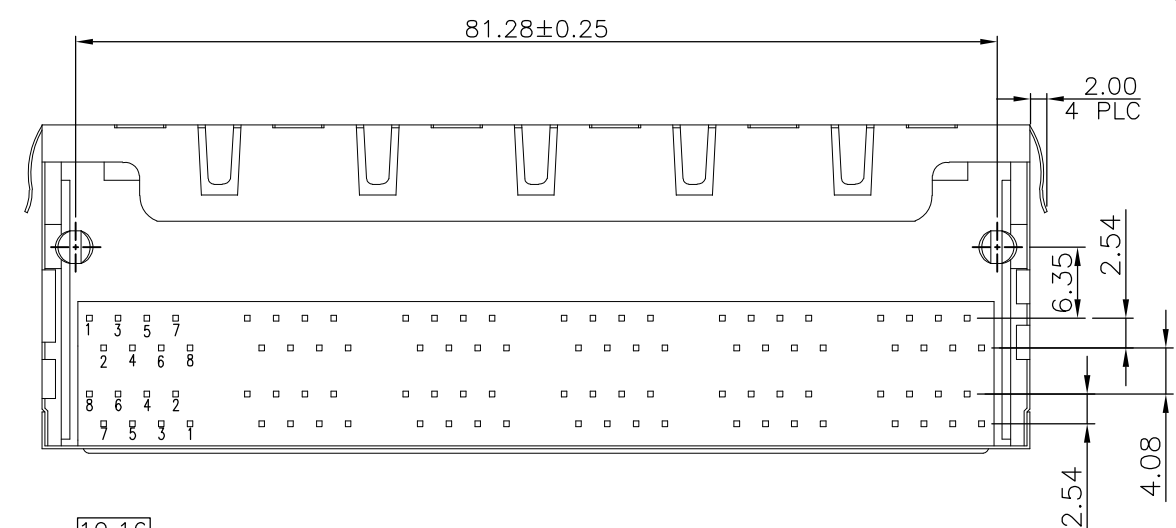
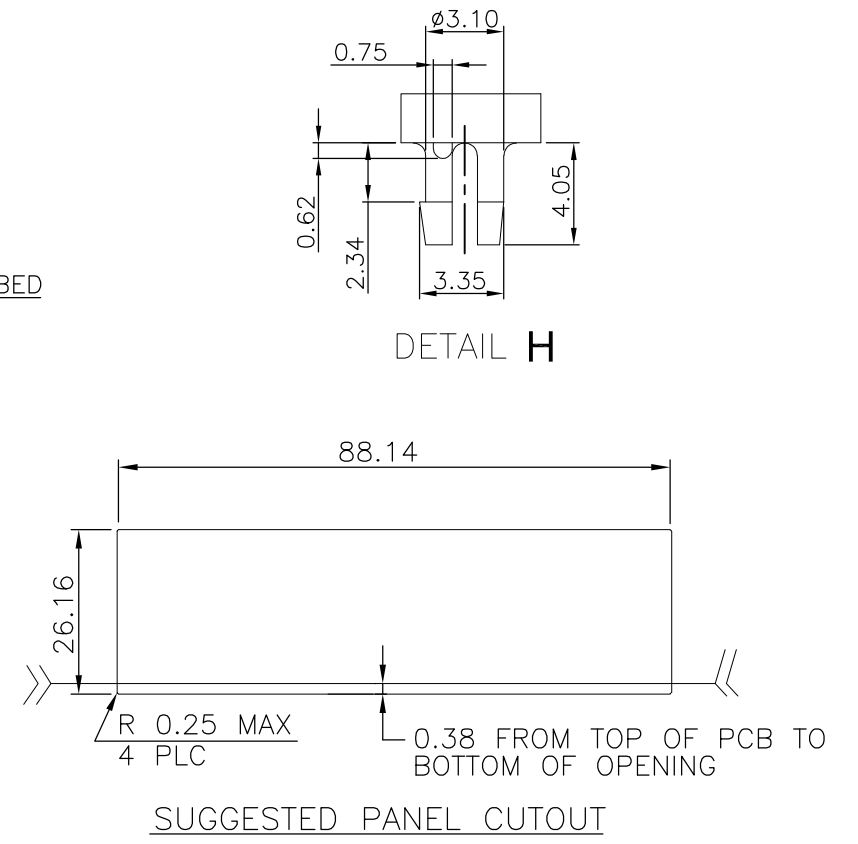
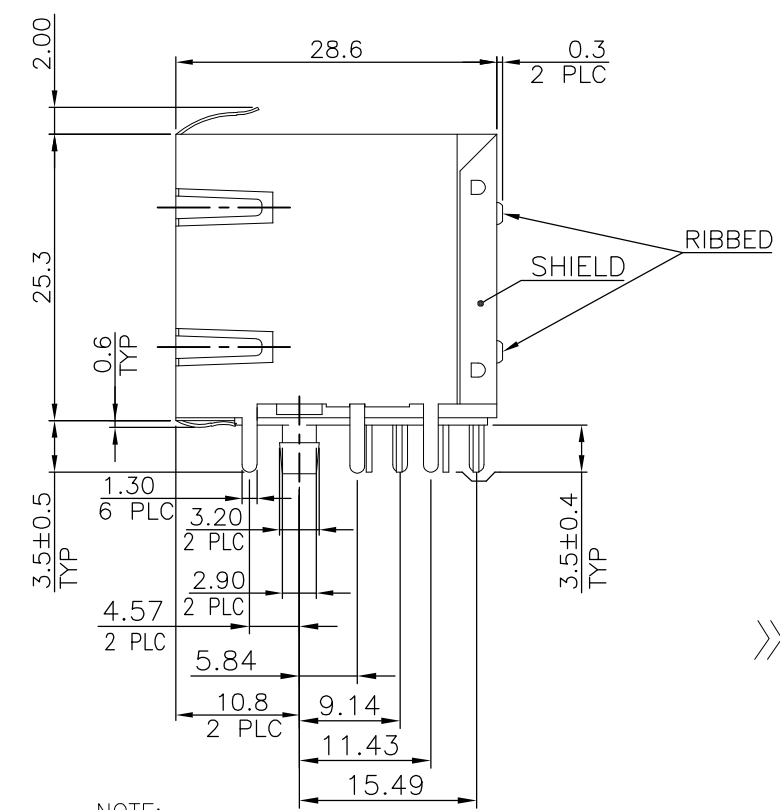
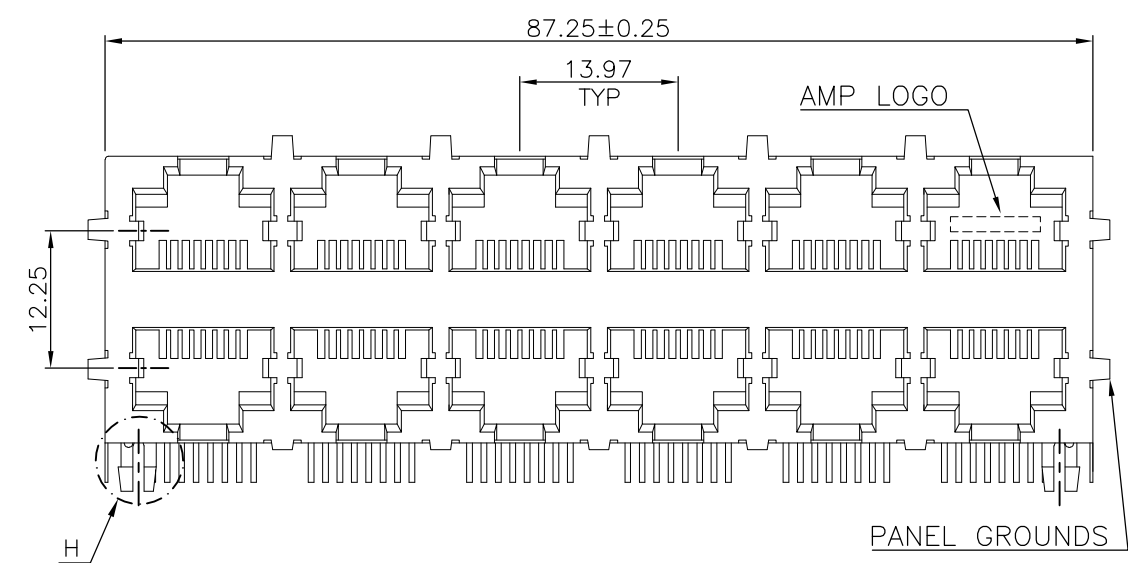


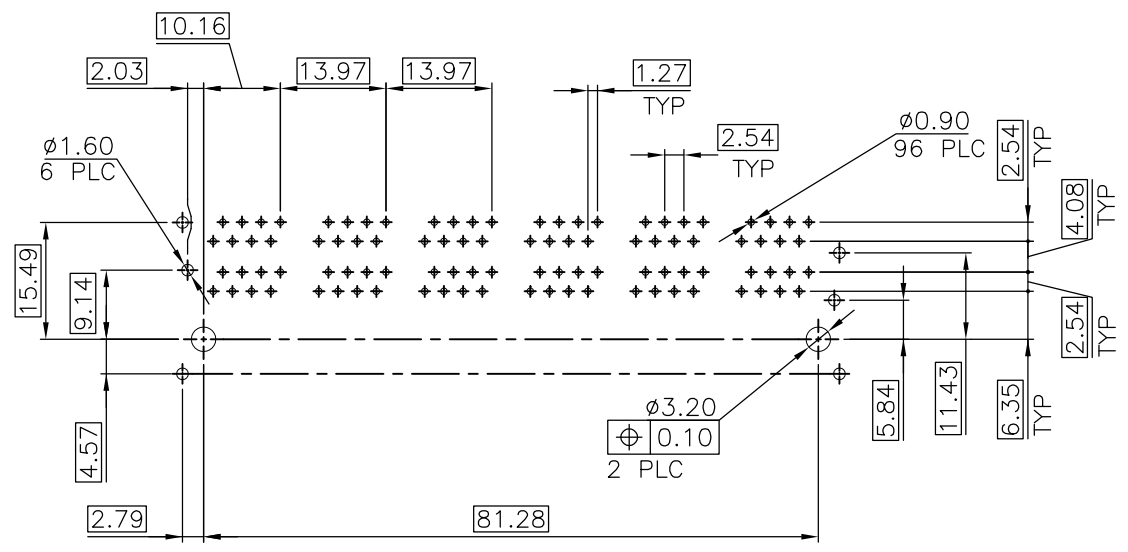
THIS DRAWING IS UNPUBLISHED. RELEASED FOR PUBLICATION  
 © COPYRIGHT BY TYCO ELECTRONICS CORPORATION. ALL RIGHTS RESERVED.

LOC	DIST	REVISIONS					
		P	LTR	DESCRIPTION	DATE	DWN	APVD
DW	-	B1		REVISED (ECR-09-010503)	07MAY09	SC	WK
		B2		REVISED PER ECO-09-024606	02NOV09	KK	AEG



- NOTE:
- MATERIAL:  
 HOUSING: THERMOPLASTIC (SEE TABLE) WITH 30% GF, UL 94V-0, BLACK COLOR.  
 CONTACTS: PHOSPHOR BRONZE.  
 SHIELD: BRASS.
  - FINISH:  
 CONTACTS: (SEE TABLE) GOLD PLATED ON CONTACT AREA, GOLD FLASH ON SOLDER TAIL, WITH ENTIRE CONTACT UNDERPLATED 1.27µm [50µ"] MIN. NICKEL.  
 SHIELD: ▲ GOLD FLSH OVER 0.51µm [20µ"] MIN. NICKEL UNDERPLATED OVERALL.  
 ▲ 0.635µm [25µ"] MIN. NICKEL PLATED.
- ▲ WAVE SOLDER CAPABLE TO 220°C  
 ▲ WAVE SOLDER CAPABLE TO 265°C PER TYCO TEST SPEC. 109-202, CONDITION B.  
 ▲ OBSOLETE PARTS: OBSOLETE CIS STREAMLINING PER D.RENAUD/D.SINISI

HOUSING'S MATERIAL	NO. OF PORTS	SHIELD PLATING	MIN. GOLD THICKNESS	PART NUMBER	
OBSOLETE	12	▲	30µ"	6-1734473-6	
			15µ"	6-1734473-5	
			6µ"	6-1734473-4	
	PBT	12	▲	30µ"	1-1734473-6
				15µ"	1-1734473-5
				6µ"	1-1734473-4



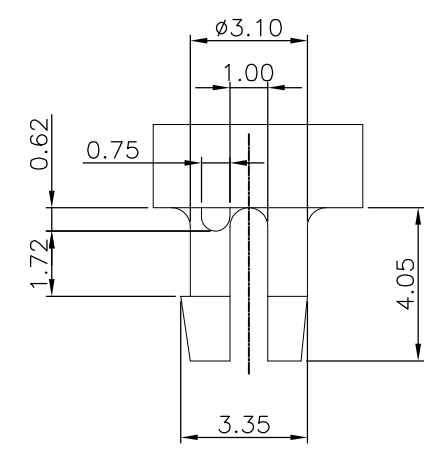
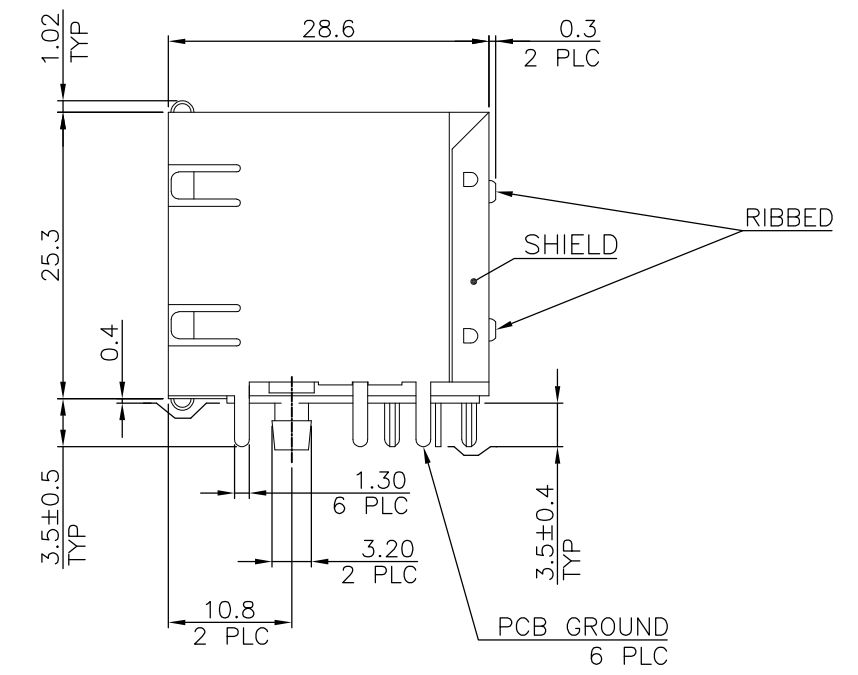
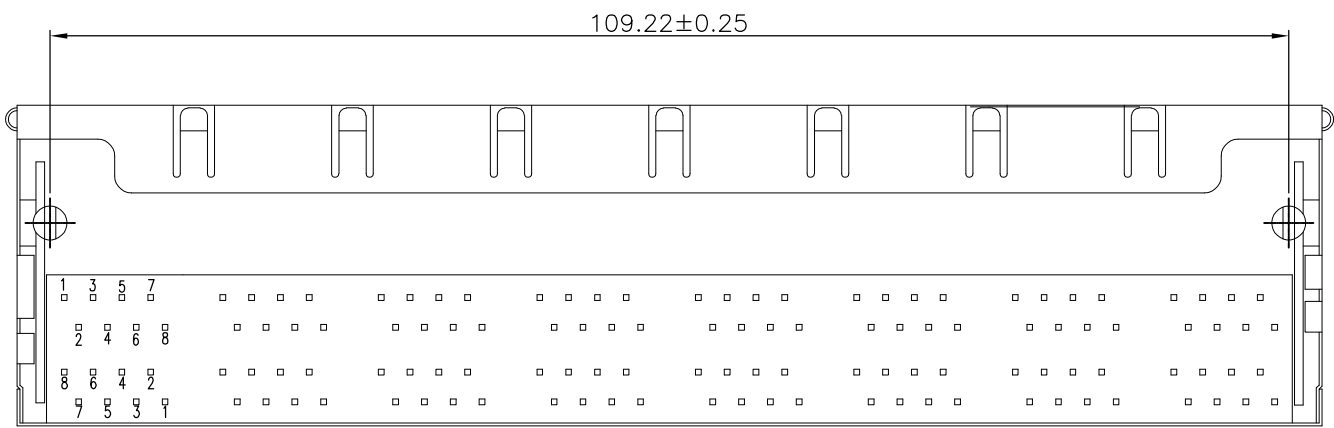
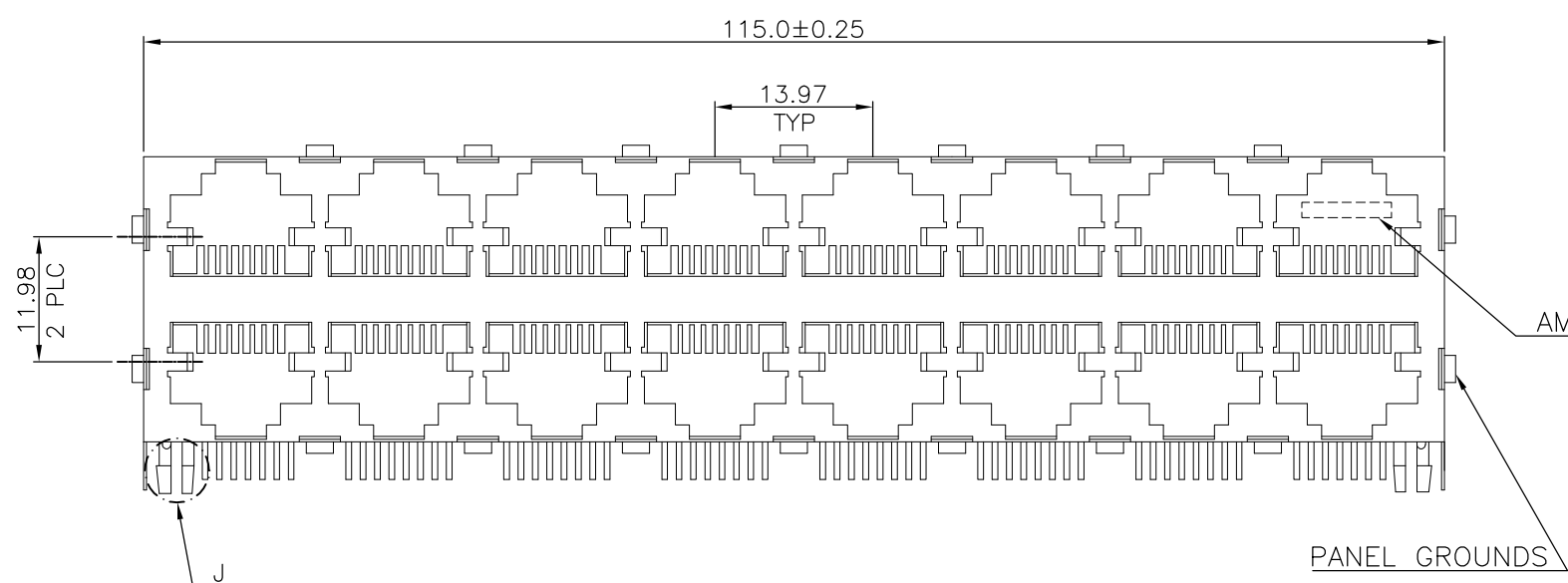
RECOMMENDED PCB LAYOUT (THICKNESS: 1.6mm)  
 DIMENSION TOLERANCE: (1 PLC: ±0.1 2PLC: ±0.05)

THIS DRAWING IS A CONTROLLED DOCUMENT.

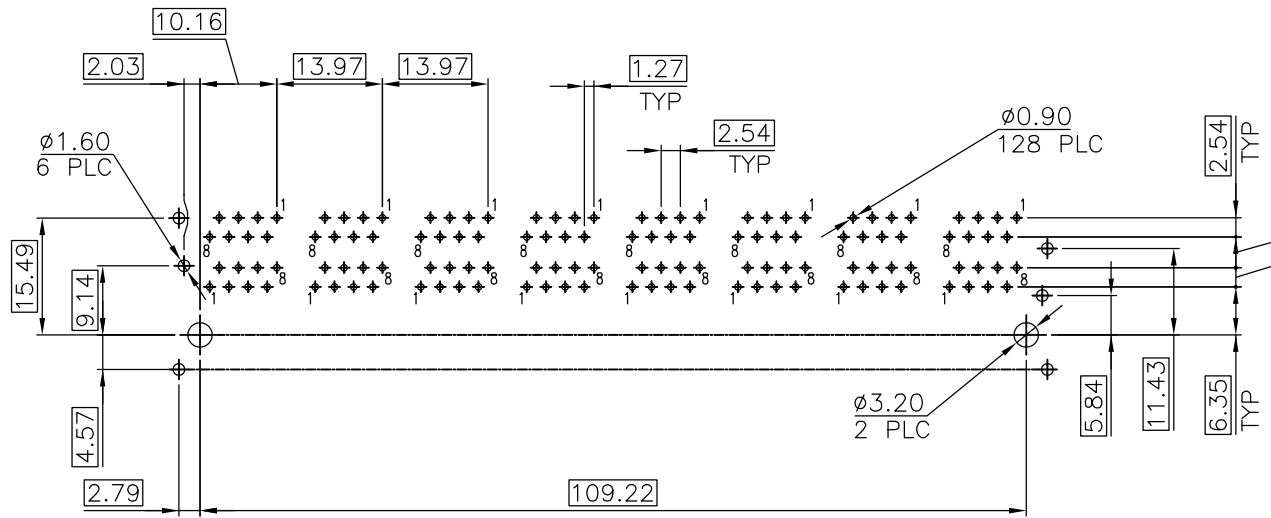
DWN S. CHIEN 07MAY2009	Tyco Electronics Corporation Taipei, Taiwan
CHK S. CHIEN 07MAY2009	
APVD W. KODAMA 07MAY2009	NAME
PRODUCT SPEC 108-57535	MODULAR JACK RJ45, STACKED, MULTI-PORT, SHIELDED, THRU-HOLE, PANEL GROUND
QUALIFICATION TEST REPORT 501-57625	SIZE CAGE CODE DRAWING NO RESTRICTED TO
MATERIAL SEE NOTE	FINISH SEE NOTE
WEIGHT 70 GRAMS	A300779 C=1734473
CUSTOMER DRAWING	SCALE - SHEET 1 OF 5 REV B2

THIS DRAWING IS UNPUBLISHED. RELEASED FOR PUBLICATION  
 © COPYRIGHT BY TYCO ELECTRONICS CORPORATION. ALL RIGHTS RESERVED.

LOC	DIST	REVISIONS					
DW	-	P	LTR	DESCRIPTION	DATE	DWN	APVD
				SEE SHEET 1.			



- NOTE:
- MATERIAL:  
HOUSING: PBT WITH 30% GF, UL 94V-0, BLACK COLOR.  
CONTACTS: PHOSPHOR BRONZE.  
SHIELD: BRASS.
  - FINISH:  
CONTACTS: (SEE TABLE) GOLD PLATED ON CONTACT AREA, GOLD FLASH ON SOLDER TAIL, WITH ENTIRE CONTACT UNDERPLATED 1.27µm [50µ"] MIN. NICKEL.
  - WAVE SOLDER CAPABLE TO 240°C PER TYCO TEST SPEC. 109-202, CONDITION A.



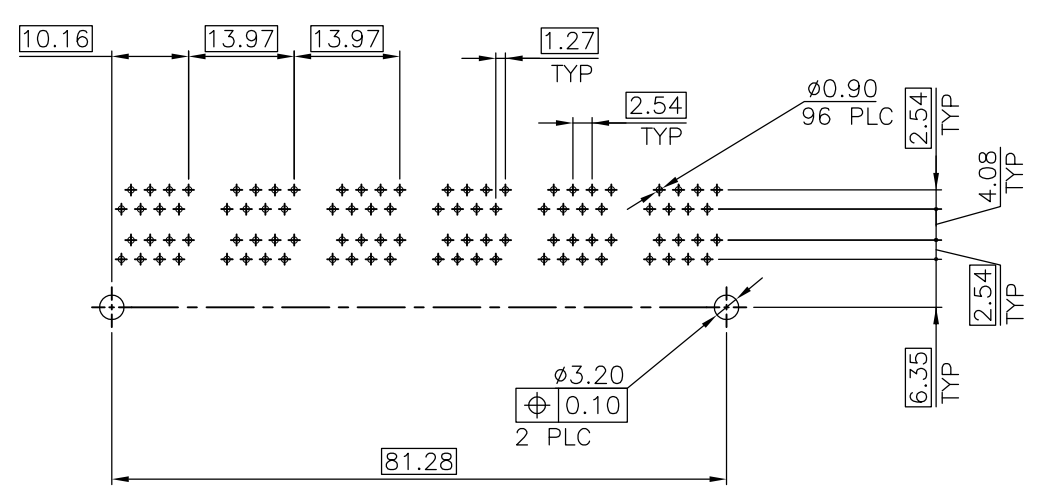
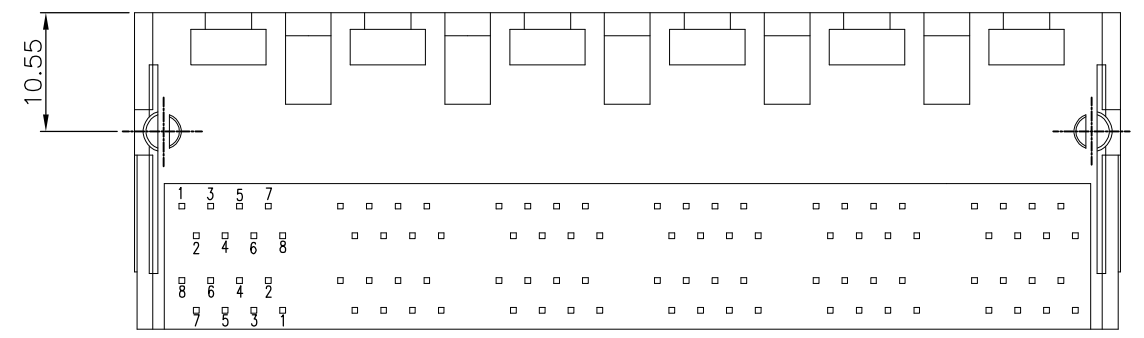
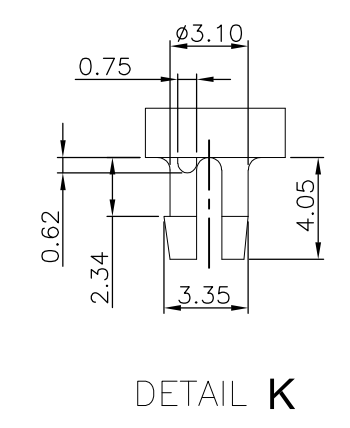
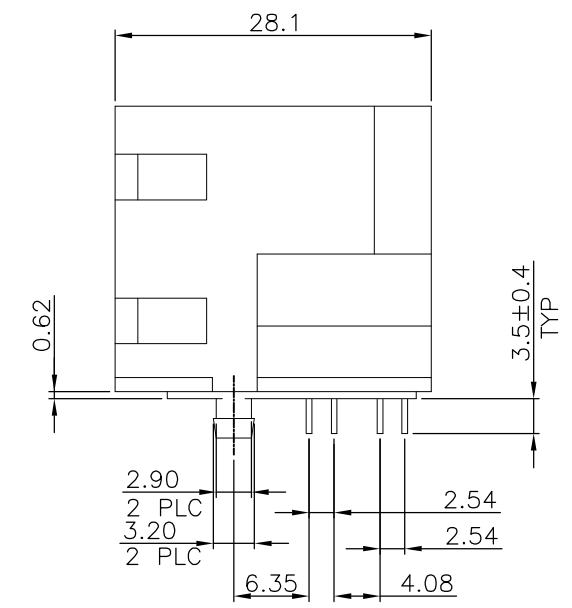
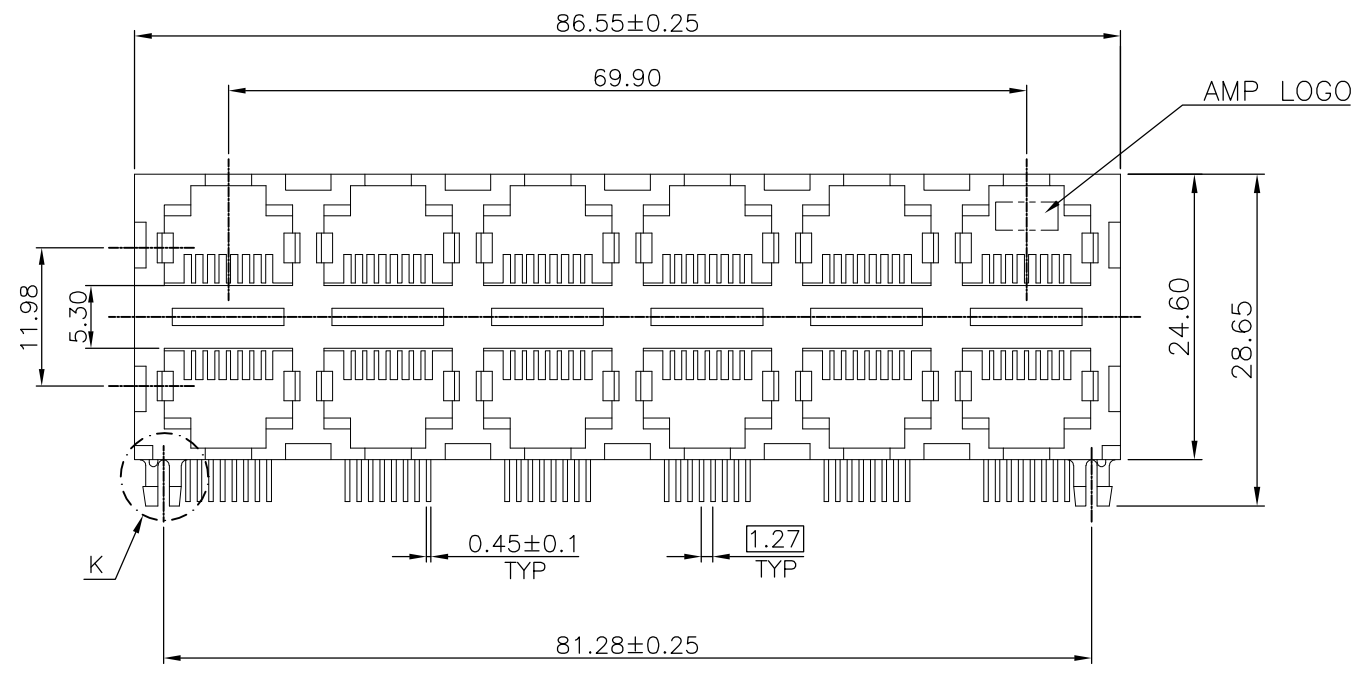
RECOMMENDED PCB LAYOUT (THICKNESS: 1.6mm)  
 DIMENSION TOLERANCE: (1 PLC: ±0.1 2PLC: ±0.05)

16	25µ" MIN. NICKEL	W/O	6µ"	2-1734473-8
			30µ"	2-1734473-7
		W/	30µ"	2-1734473-3
			15µ"	2-1734473-2
			6µ"	2-1734473-1
NO. OF PORTS	SHIELD PLATING	TIN PLATED ON PCB GROUNDS	MIN. GOLD THICKNESS	PART NUMBER

THIS DRAWING IS A CONTROLLED DOCUMENT.		DWN	Tyco Electronics Corporation Taipei, Taiwan		
DIMENSIONS: MM		CHK	NAME		
TOLERANCES UNLESS OTHERWISE SPECIFIED:		APVD	MODULAR JACK RJ45, STACKED, MULTI-PORT, SHIELDED, THRU-HOLE, PANEL GROUND		
0 PLC ± 0.50	1 PLC ± 0.38	PRODUCT SPEC	108-57535		
2 PLC ± 0.25	3 PLC ± 0.10	QUALIFICATION TEST REPORT	501-57625		
4 PLC ± -	ANGLES ± -	WEIGHT	SIZE	CAGE CODE	DRAWING NO
MATERIAL SEE NOTE	FINISH SEE NOTE	90.5 GRAMS	A3	00779	C=1734473
CUSTOMER DRAWING		SCALE	SHEET		REV
		-	2 OF 5		B2

THIS DRAWING IS UNPUBLISHED. RELEASED FOR PUBLICATION  
 © COPYRIGHT BY TYCO ELECTRONICS CORPORATION. ALL RIGHTS RESERVED.

LOC	DIST	REVISIONS					
DW	-	P	LTR	DESCRIPTION	DATE	DWN	APVD
				SEE SHEET 1.			



- NOTE:
- MATERIAL:  
HOUSING: PBT WITH 30% GF, UL 94V-0, BLACK COLOR.  
CONTACTS: PHOSPHOR BRONZE.
  - FINISH:  
CONTACTS: (SEE TABLE) GOLD PLATED ON CONTACT AREA,  
GOLD FLASH ON SOLDER TAIL, WITH ENTIRE  
CONTACT UNDERPLATED 1.27µm [50µ"] MIN. NICKEL.
  - WAVE SOLDER CAPABLE TO 240°C PER TYCO TEST SPEC.  
109-202, CONDITION A.
  - THIS PRODUCT WITHOUT SHIELD.

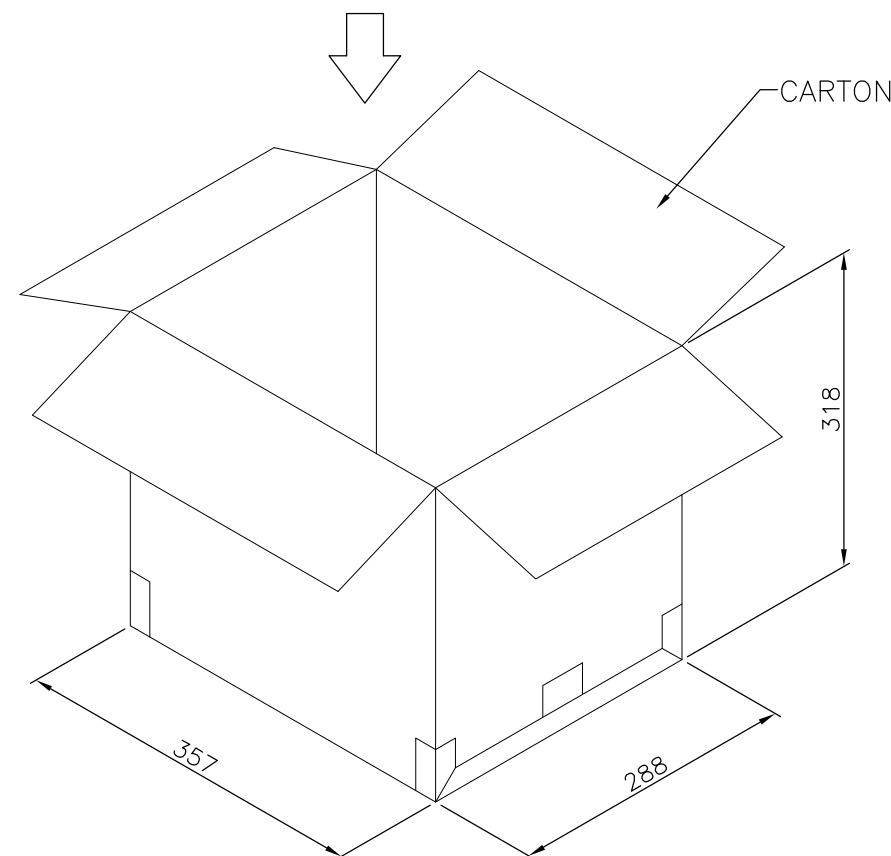
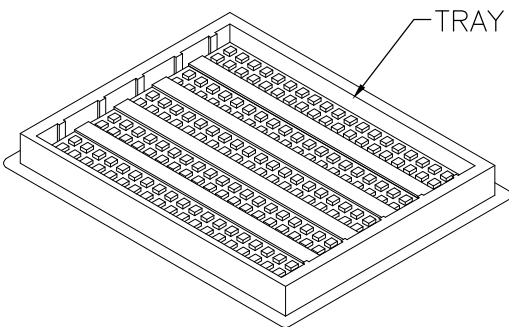
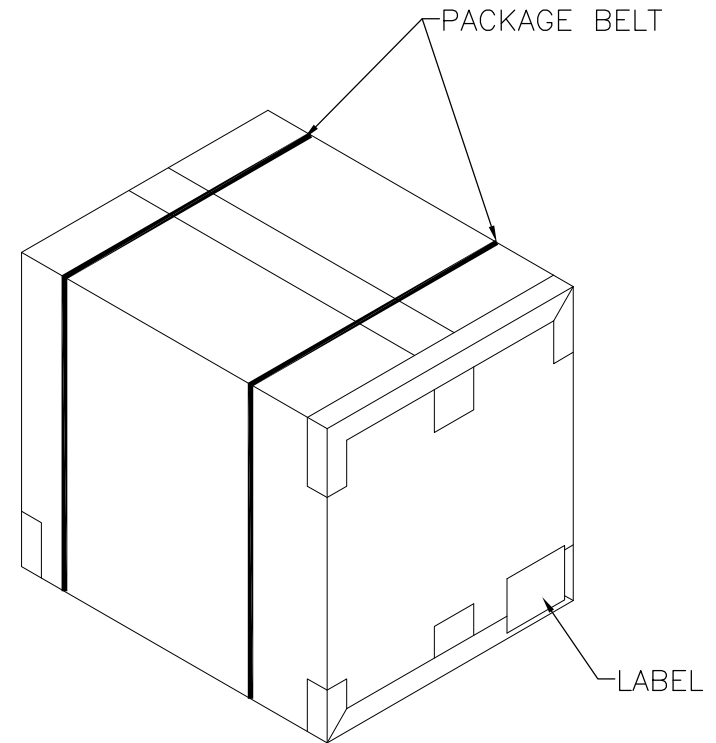
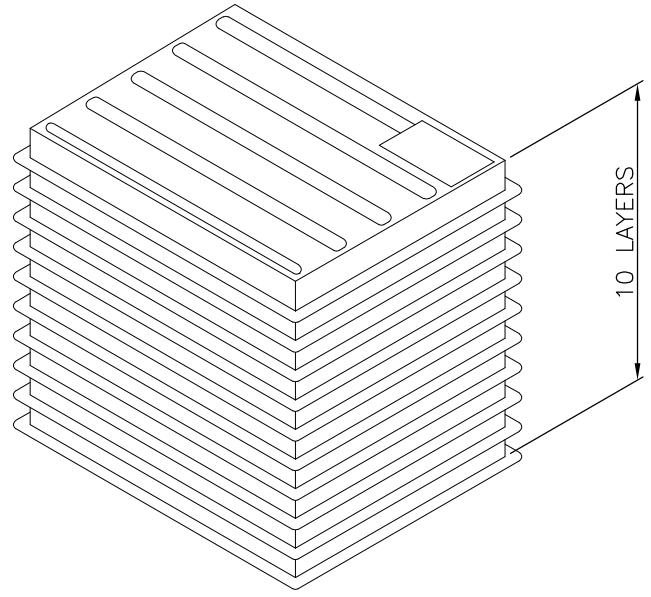
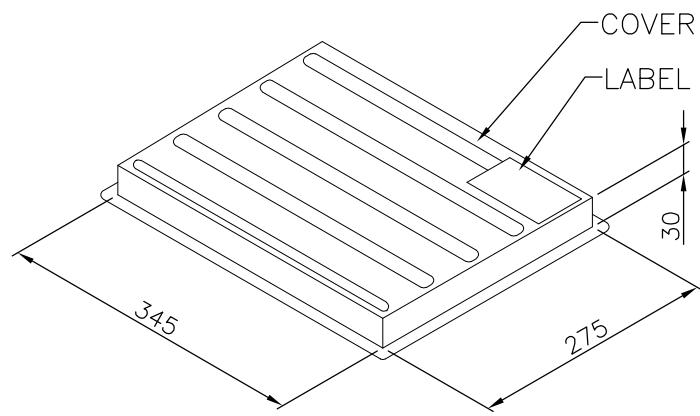
12	30µ"	7-1734473-3
	15µ"	7-1734473-2
	6µ"	7-1734473-1
NO. OF PORTS	MIN. GOLD THICKNESS	PART NUMBER

RECOMMENDED PCB LAYOUT (THICKNESS: 1.6mm)  
 DIMENSION TOLERANCE: (1 PLC: ±0.1 2PLC: ±0.05)

THIS DRAWING IS A CONTROLLED DOCUMENT.		DWN	Tyco Electronics Corporation Taipei, Taiwan	
DIMENSIONS: MM		CHK	NAME	
TOLERANCES UNLESS OTHERWISE SPECIFIED:		APVD	MODULAR JACK RJ45, STACKED, MULTI-PORT, SHIELDED, THRU-HOLE, PANEL GROUND	
0 PLC ± 0.50		PRODUCT SPEC	SIZE	CAGE CODE
1 PLC ± 0.38		108-57535	A3	00779
2 PLC ± 0.25		QUALIFICATION TEST REPORT	DRAWING NO	RESTRICTED TO
3 PLC ± 0.10		501-57625	C=1734473	-
4 PLC ± -		WEIGHT	SCALE	SHEET
ANGLES ± -		70 GRAMS	-	3 OF 5
FINISH		CUSTOMER DRAWING	REV	B2
SEE NOTE				

THIS DRAWING IS UNPUBLISHED. RELEASED FOR PUBLICATION  
 © COPYRIGHT - BY TYCO ELECTRONICS CORPORATION. ALL RIGHTS RESERVED.

LOC	DIST	REVISIONS			
P	LTR	DESCRIPTION	DATE	DWN	APVD
		SEE SHEET 1.			

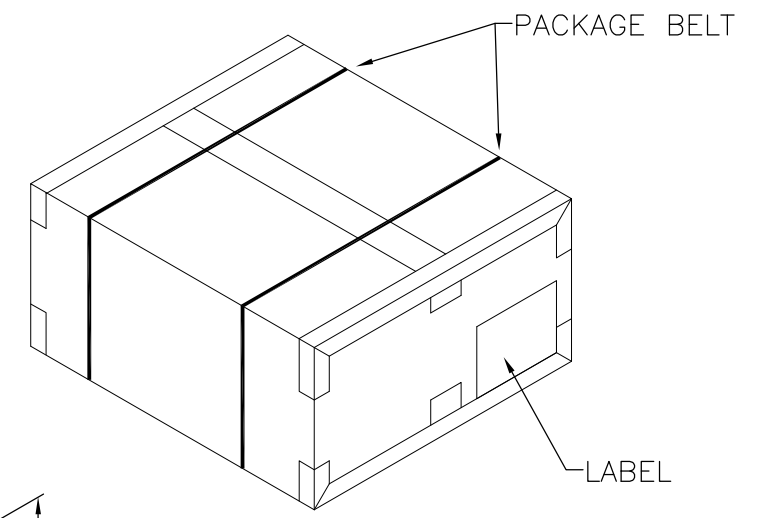
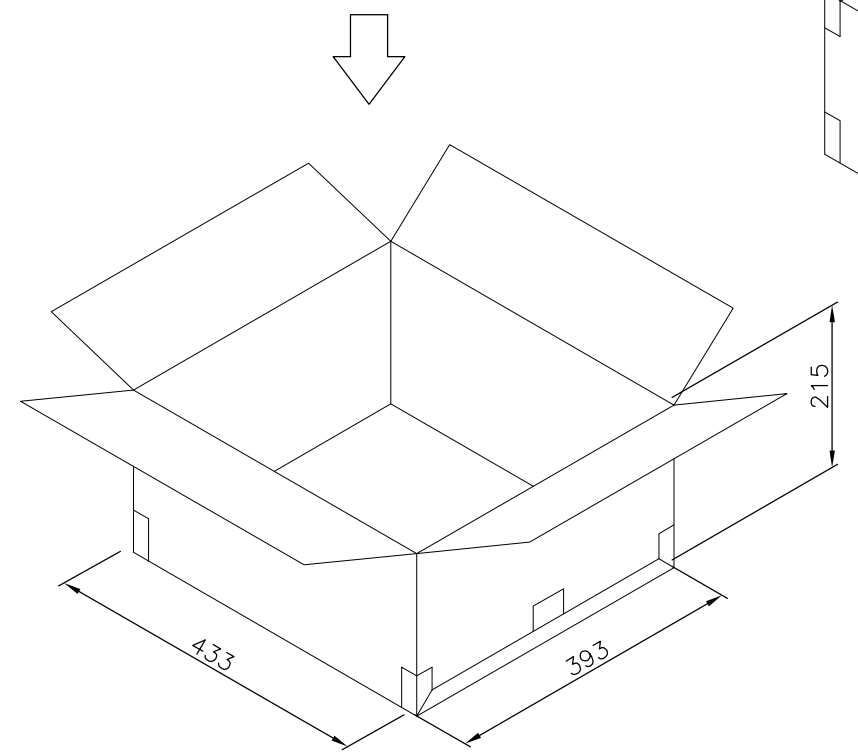
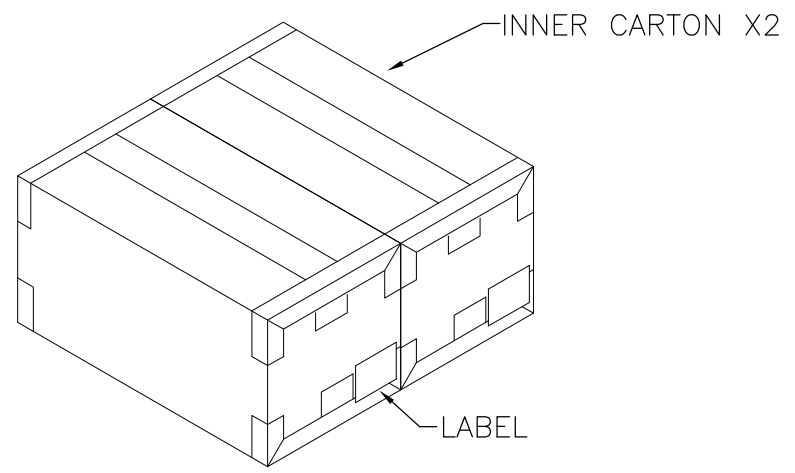
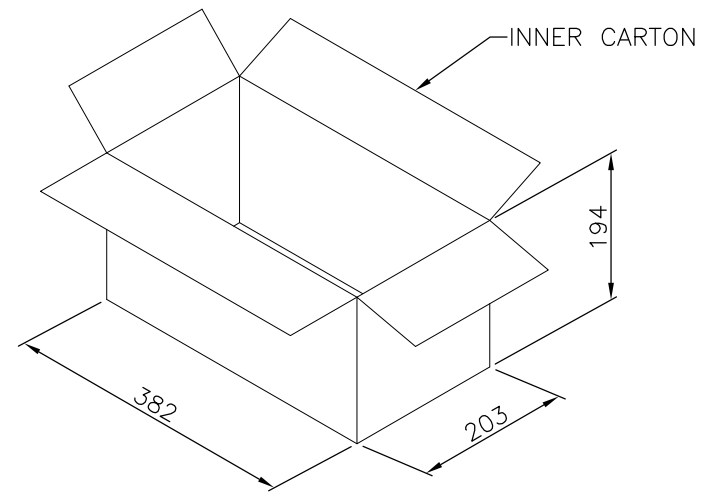
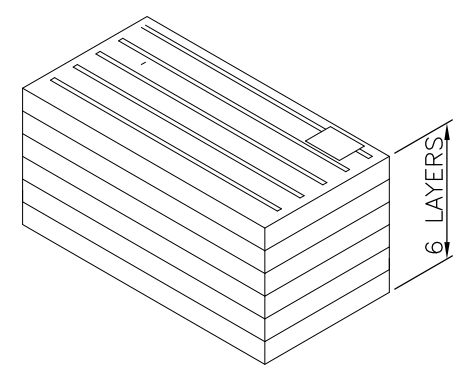
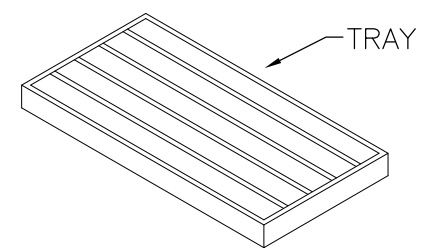
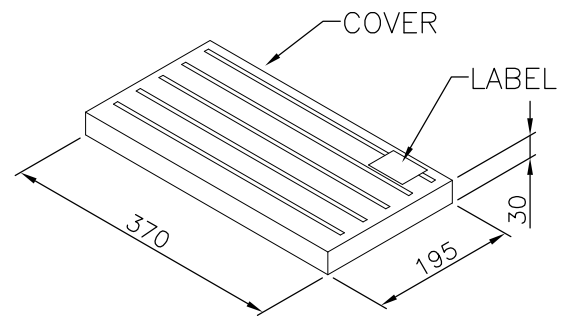


GROSS WEIGHT	NET WEIGHT	PCS/TRAY	TRAYS /CARTON	QUANTITY	PART NUMBER
12.5 Kg	10.5 Kg	15	10	150 PCS	6-1734473-X
12.5 Kg	10.5 Kg	15	10	150 PCS	1-1734473-X

THIS DRAWING IS A CONTROLLED DOCUMENT.		DWN	Tyco Electronics Corporation Taipei, Taiwan		
DIMENSIONS: MM 		CHK			
TOLERANCES UNLESS OTHERWISE SPECIFIED: 0 PLC ± - 1 PLC ± - 2 PLC ± - 3 PLC ± - 4 PLC ± - ANGLES ± - MATERIAL FINISH		APVD	NAME		
		PRODUCT SPEC	MODULAR JACK RJ45, STACKED, MULTI-PORT, SHIELDED, THRU-HOLE, PANEL GROUND		
		APPLICATION SPEC	SIZE	CAGE CODE	DRAWING NO
		WEIGHT	A3	00779	C=1734473
		CUSTOMER DRAWING	RESTRICTED TO	-	
		SCALE	SHEET	REV	
		-	4 OF 5	B2	

THIS DRAWING IS UNPUBLISHED. RELEASED FOR PUBLICATION  
 © COPYRIGHT BY TYCO ELECTRONICS CORPORATION. ALL RIGHTS RESERVED.

LOC	DIST	REVISIONS				
P	LTR	DESCRIPTION	DATE	DWN	APVD	
		SEE SHEET 1.				



GROSS WEIGHT	NET WEIGHT	PCS/TRAY	TRAYS / CARTON	QUANTITY	PART NUMBER
18 Kg	16.5 Kg	20	6	240 PCS	7-1734473-X
18 Kg	16.5 Kg	15	6	180 PCS	2-1734473-X

THIS DRAWING IS A CONTROLLED DOCUMENT.		DWN		Tyco Electronics Corporation Taipei, Taiwan	
DIMENSIONS: MM		CHK			
		TOLERANCES UNLESS OTHERWISE SPECIFIED:		NAME	
0 PLC ± - 1 PLC ± - 2 PLC ± - 3 PLC ± - 4 PLC ± - ANGLES ± -		APVD		MODULAR JACK RJ45, STACKED, MULTI-PORT, SHIELDED, THRU-HOLE, PANEL GROUND	
MATERIAL		PRODUCT SPEC		SIZE	
FINISH		APPLICATION SPEC		CAGE CODE	
		WEIGHT		DRAWING NO	
		CUSTOMER DRAWING		A3 00779 C=1734473	
		SCALE		RESTRICTED TO	
		SHEET		5 OF 5	
		REV		B2	