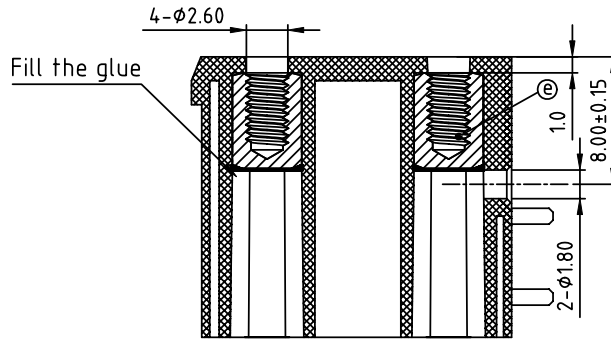
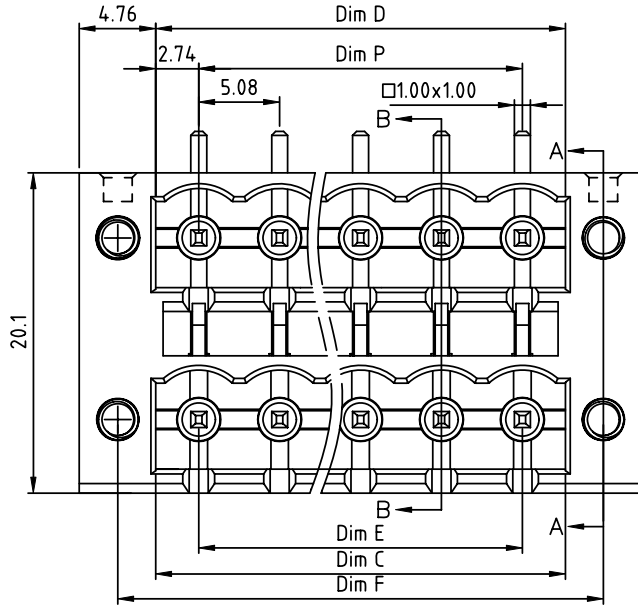
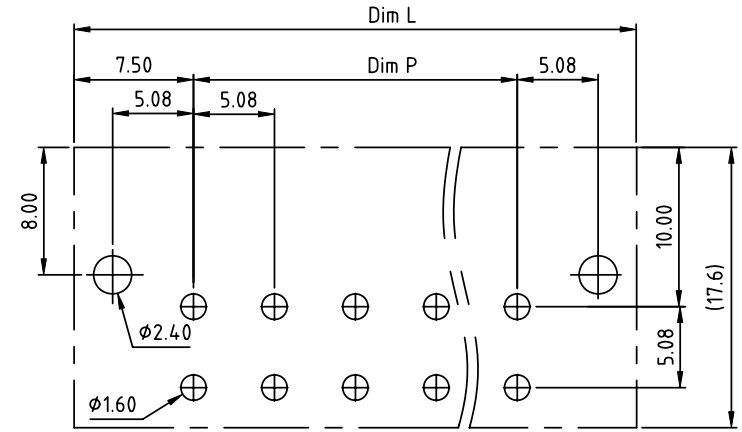


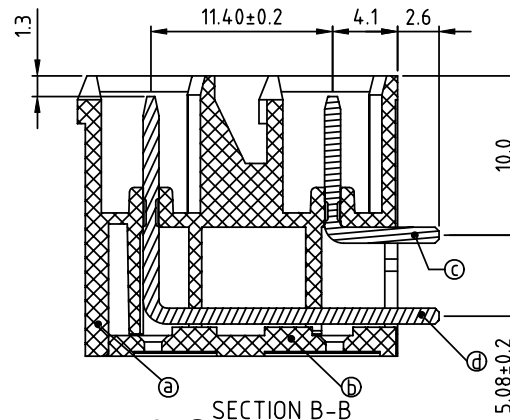
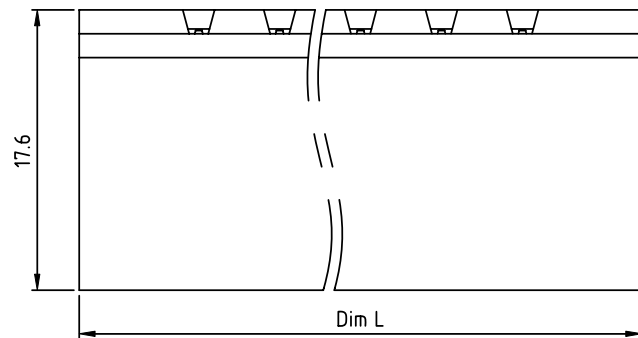
PRODUCT NUMBER	PITCH
KExx52x300J0G	5.08 mm



SECTION A-A



RECOMMENDED P.C.B LAYOUT
TOP VIEW



SECTION B-B

PART NO.: KE xx 5 2 x 3 00J 0 G

Material:

- Item ① Terminal(housing): Thermoplastic (UL94 V-0)
- Item ② Terminal(cover): Thermoplastic (UL94 V-0)
- Item ③ Short pin: Copper Tin plated
- Item ④ Long pin: Copper Tin plated
- Item ⑤ With flange nut: Brass M2.5

Electrical:

- Voltage rating: 300V
- Current rating: 12A
- Withstanding Voltage: 1.6KV
- Operating temperature: -40°C to +115°C
- Soldering temperature: 260°C±5°C/5 Sec
- Safety Approval: us

N=Number of poles

$Dim L = (N/2 + 1) \times 5.08 + 4.84$ $Dim D = (N/2 - 1) \times 5.08 + 5.48$

$Dim P = (N/2 - 1) \times 5.08$ $Dim E = (N/2 - 1) \times 5.08$

$Dim C = (N/2 - 1) \times 5.08 + 5.48$ $Dim F = (N/2 - 1) \times 5.08 + 10.16$

Poles	Dim L	Dim P	Dim C	Dim D	Dim E	Dim F
2x2P-2x6P	±0.15	±0.15	+0.05 -0.05	+0.05 -0.05	±0.15	±0.15
2x7P-2x12P	±0.25	±0.25	+0.10 -0.05	+0.10 -0.05	±0.25	±0.25
2x13P-2x18P	±0.35	±0.35	+0.20 -0.05	+0.20 -0.05	±0.35	±0.35
2x19P-2x24P	±0.40	±0.40	+0.25 -0.10	+0.25 -0.10	±0.40	±0.40

Solid block

No. of poles

04 2x2poles

06 2x3poles

... ..

48 2x24poles

Color

0 Black (RAL9005)

2 Red (RAL3001/D)

3 Orange(RAL2011/P)

4 Yellow(RAL1018/A)

5 Green(RAL6018/T)

6 Blue (RAL5015/A)

8 Grey(RAL7035/D)

9 White(RAL1102)

C Green(RAL6018/U)

RoHS compliant

(lead<4%)

In copper Alloy

mat'l. code		surface ASME Y14.5	tolerance ASME Y14.5	projection	product family
ltr	ecn no	dr	date		TERMINAL BLOCK
				tolerances unless otherwise specified	title
				angles	TERMINAL BLOCK
				$X \pm 0.5$	PLUGGABLE SOCKET, RIGHT ANGLE, WITH FLANGE
				$X.X \pm 0.3$	scale
				$X^* \pm 1^*$	\leftarrow MM \rightarrow
				dr	EVIN ZHONG 042414
				enrg	EVIN ZHONG 042414
				chr	HANKE FENG 042414
				appd	SHI JUN 042414
sheet index		revision	A	FCI	
		sheet	1	dwg no	
				sheet 1 of 1 size	
				A4	
				type	
				CUSTOMER Drawing	