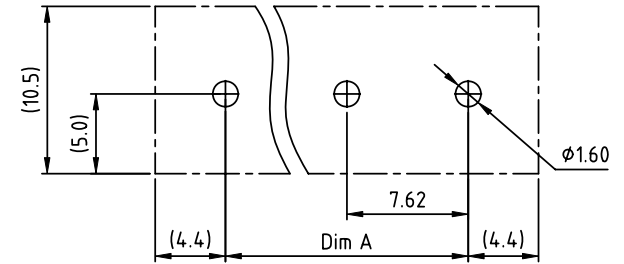
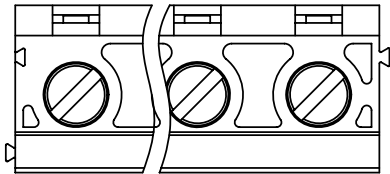
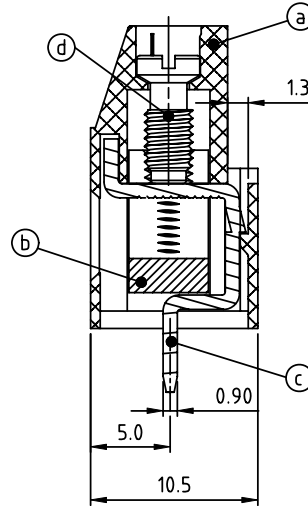
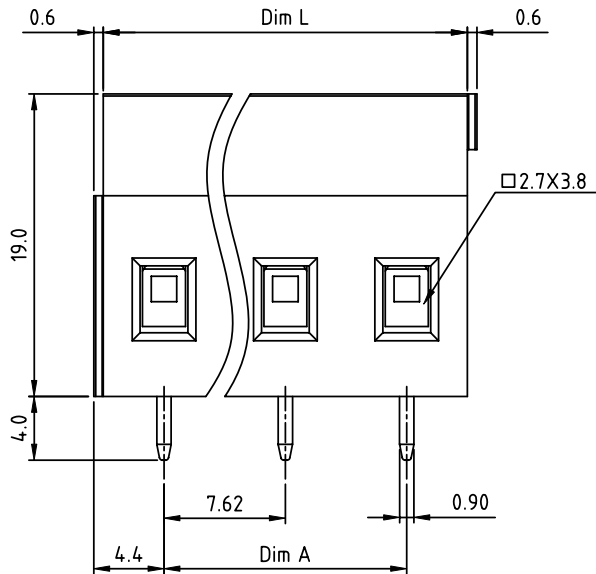


PRODUCT NUMBER	PITCH
VJxx61x500J0G	7.62mm



RECOMMENDED P.C.B LAYOUT
TOP VIEW



Material:

- Item (a) Terminal housing: Thermoplastic (UL 94V-0)
- Item (b) Clamp: Brass Ni plated
- Item (c) Solder pin: Brass Tin plated
- Item (d) Terminal screw: Steel Zinc plating"-slot type

Electrical cULus / VDE

- Voltage rating : 300VAC / 750V
- Current rating : 20A / 24A
- Wire range : 0.2-2.5mm²
- Solid wire(AWG) : 12-30
- Stranded wire(AWG) : 12-30
- Torque : 3.5 Lb-In / 0.5 N.m
- Screw: M3
- Wire strip length: 6-7mm
- Withstanding Voltage: 1.6KV / 3KV
- Operating temperature: -40°C to +115°C
- Soldering temperature: 260°C±5°C/5 Sec
- Safety Approval:

PART NO.: VJ xx 6 1 x 5 00J0 G

DIMENSION

Dim L	Nx7.62
Dim A	(N-1)x7.62

N=Number of poles

Poles	Tolerance
4p-8p	±0.20
9p-12p	±0.30
13p-16p	±0.40

Solid block	No. of poles	Color	RoHS compliant
0	2	Black (RAL9005)	(lead<4%)
04	4 poles	Red (RAL3001/D)	In copper Alloy
05	5 poles	Orange(RAL2011/P)	
...	...	4 Yellow(RAL1018/A)	
16	16 poles	5 Green(RAL6018/T)	
		6 Blue (RAL5015/A)	
		8 Grey(RAL7035/D)	
		9 White(RAL1102)	
		C Green(RAL6018/U)	

mat'l. code		surface ASME Y14.5	tolerance ASME Y14.5	projection	product family
ltr ecn no dr date		tolerances unless otherwise specified			TERMINAL BLOCK
angles		X.±0.5		MM	title
X*±1°		X.X±0.3		scale	TERMINAL BLOCK
dr		EVIN ZHONG 040914			RISING CLAMP, 180D WIRE INLET,SOLID BLOCK
enr		EVIN ZHONG 040914			dwg no
chr		HANKE FENG 040914			sheet 1 of 1
appd		SHI JUN 040914			size
sheet index		revision sheet	A 1		VJxx61x500J0G
					A4
					type
					CUSTOMER Drawing