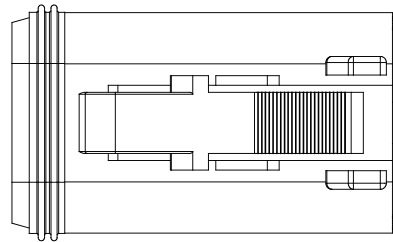
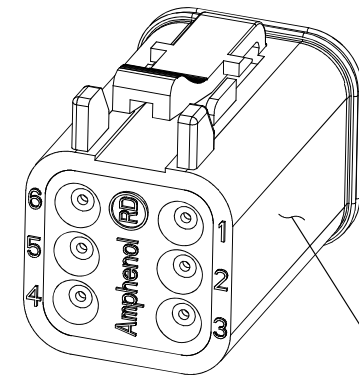
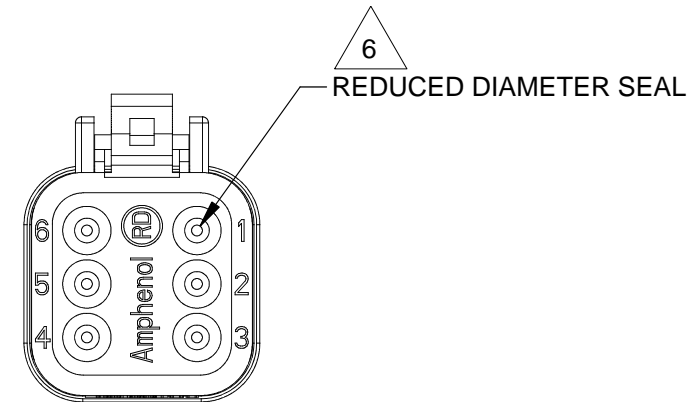
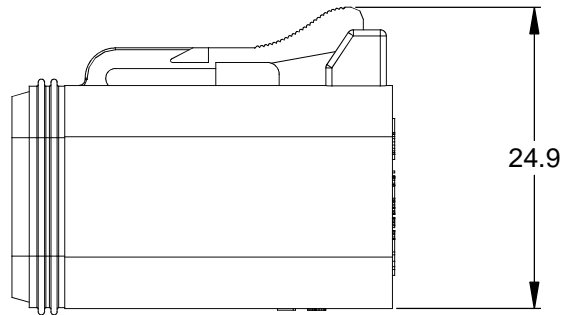
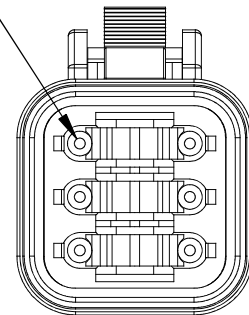


REVISIONS					
REV	ECO	DESCRIPTION	DATE	BY	APPR
A3	-	RELEASE NEW DWG FORMAT	19NOV13	DRP	



REQUIRES CONTACT RETENTION WEDGE AW6S



STANDARD MOLDED COLOR IS GREY. ADDITIONAL COLORS SHOWN IN PART NUMBER CHART ARE AVAILABLE VIA SPECIAL ORDER.

NOTES: UNLESS OTHERWISE SPECIFIED

- MATERIAL:  
HOUSING: THERMOPLASTIC  
SEAL: SILICONE RUBBER
- MODIFICATIONS: REDUCED DIAMETER WIRE SEAL
- SPECIFICATIONS:
  - CURRENT RATING: 13 AMPS
  - OPERATING TEMPERATURE: -55°C TO +125°C
  - DIELECTRIC WITHSTANDING VOLTAGE: LESS THAN 2 MILLIAMPS CURRENT LEAKAGE @ 1500 VOLTS AC.
  - INSULATION RESISTANCE: 1000 MEGOHMS MIN @ 25°C.
  - MOISTURE RESISTANCE: IP67 ( MATED CONDITION )
  - MATING CYCLE DURABILITY: 100 CYCLES
  - RoHS COMPLIANT
- MATING PART: AT04-6P\* RECEPTACLE  
(\* = MODIFICATIONS AND COLORS)

5. ALL DIMENSIONS ARE FOR REFERENCE USE ONLY.

6 CONTACT SIZE AND REAR SEAL WIRE RANGE:

CONTACT SIZE	MIN. INSUL O.D.	MAX. INSUL O.D.	TYPICAL WIRE RANGE
16	1.35 mm (.053 in)	3.05 mm (.120 in)	14 - 20 AWG



PART NUMBER CHART	
COLOR	PART NUMBER
GREY	AT06-6S-RD01
BLACK	AT06-6S-RD01BLK
BLUE	AT06-6S-RD01BLU
BROWN	AT06-6S-RD01BRN
GREEN	AT06-6S-RD01GRN
RED	AT06-6S-RD01RED
WHITE	AT06-6S-RD01WHT
YELLOW	AT06-6S-RD01YEL

QUANTITY	SEE PART NUMBER CHART	DESCRIPTION	ITEM												
<table border="1"> <thead> <tr> <th>UNLESS OTHERWISE SPECIFIED</th> <th>SIGNATURES</th> <th>DATE</th> </tr> </thead> <tbody> <tr> <td>1) All dimensions are in metric(mm). 2) Tolerances are as follows: 1 PL DEC ±0.30 2 PL DEC ±0.15 3 PL DEC ±0.08</td> <td>D.PARKS</td> <td>19NOV13</td> </tr> <tr> <td>Fractions ±1/64 Angles ±1°</td> <td></td> <td></td> </tr> <tr> <td>3) Note reference = </td> <td></td> <td></td> </tr> </tbody> </table>				UNLESS OTHERWISE SPECIFIED	SIGNATURES	DATE	1) All dimensions are in metric(mm). 2) Tolerances are as follows: 1 PL DEC ±0.30 2 PL DEC ±0.15 3 PL DEC ±0.08	D.PARKS	19NOV13	Fractions ±1/64 Angles ±1°			3) Note reference =		
UNLESS OTHERWISE SPECIFIED	SIGNATURES	DATE													
1) All dimensions are in metric(mm). 2) Tolerances are as follows: 1 PL DEC ±0.30 2 PL DEC ±0.15 3 PL DEC ±0.08	D.PARKS	19NOV13													
Fractions ±1/64 Angles ±1°															
3) Note reference =															
<p><b>Amphenol</b></p> <p>Sine Systems - www.amphenol-sine.com 44724 Morley Drive Clinton Township, MI 48036</p>															
<p>PLUG, 6 SOCKET, AT SERIES, REDUCED DIAMETER WIRE SEAL</p>															
<p>THIS DRAWING IS SUPPLIED FOR INFORMATION ONLY. DESIGN FEATURES, SPECIFICATIONS AND PERFORMANCE DATA SHOWN HEREON ARE THE PROPERTY OF THE AMPHENOL CORPORATION. NO RIGHTS OF REPRODUCTION ARE IMPLIED. ALL DIMENSIONS ARE SUBJECT TO NORMAL MANUFACTURING VARIATIONS.</p>		<p>SIZE: <b>B C-</b></p> <p>TYPE: <b>AT06-6S-RD01XXX</b></p> <p>DWG NO: <b>A3</b></p>	<p>REVISION: <b>A3</b></p>												
<p>NEXT ASSY:</p>		<p>SCALE: <b>NONE</b></p>	<p>SHEET <b>1</b> OF <b>1</b></p>												

TITLE: PLUG, 6 SOCKET, AT SERIES, REDUCED DIA. WIRE SEAL  
DWG NO: AT06-6S-RD01XXX  
REV: A3  
SH: 1  
OF: 1