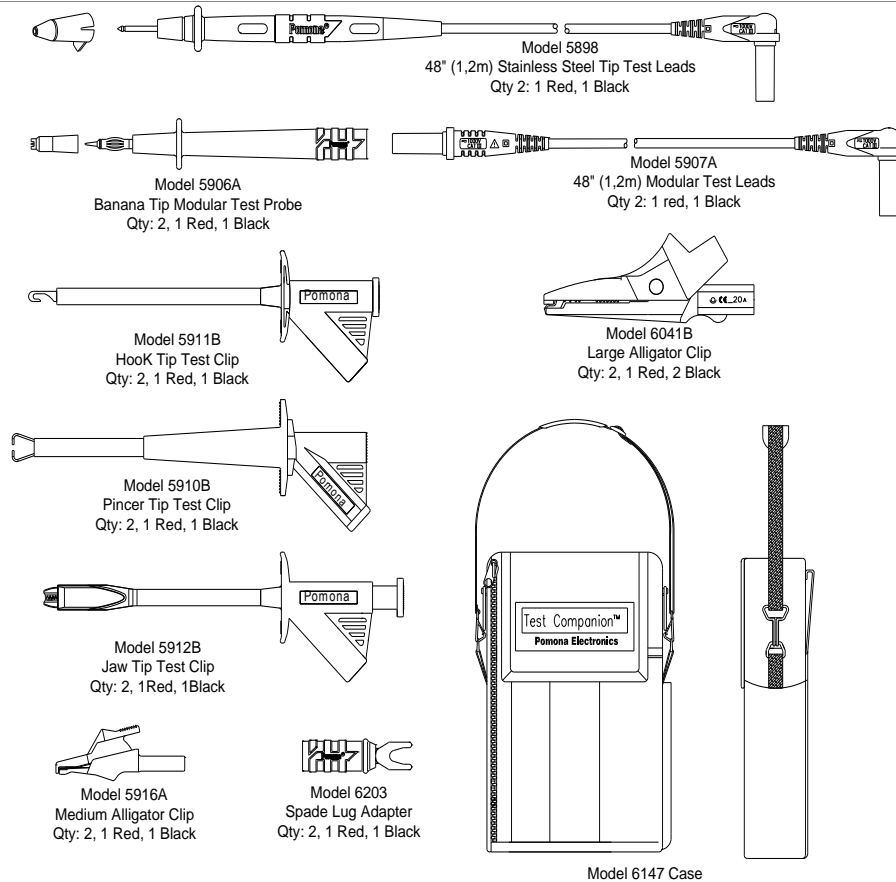


**Model 6173A  
Deluxe Industrial Test Companion Kit**



For data sheets / specifications of the kit individual components, visit the Pomona web site at:  
[www.pomonaelectronics.com](http://www.pomonaelectronics.com)

**FEATURES:**

- Test leads with a right angle banana plug are ideal for use with hand held digital multimeter.
- Flexible test leads feature high strand count silicone wire for extreme flexibility and high temperature resistance.
- Wear indication with double insulated (dual extruded) silicone leads shows white inner layer for increased safety.
- Banana plugs are molded directly to the wire for superior pull strength.
- Banana tip probe body, alligators, spade lug and test clips attaches directly to test leads for testing versatility
- Test accessories conveniently store in the shoulder-pack with carrying strap.
- Compatible with most multimeters that accepts safety style sheath banana plugs.
- CE Compliant; complies with IEC 61010-031 standard for hand held accessories.



**USA:** Sales: 800-490-2361  
Technical Support: [technicalsupport@pomonatest.com](mailto:technicalsupport@pomonatest.com)  
Fax: 425-446-5844  
**Europe:** 31-(0) 40 2675 150 **International:** 425-446-5500  
**Where to Buy:** [www.pomonaelectronics.com](http://www.pomonaelectronics.com)

All dimensions are in inches. Tolerances (except noted): .xx = ±.02" (.51 mm), .xxx = ±.005" (.127 mm). All specifications are to the latest revisions. Specifications are subject to change without notice. Registered trademarks are the property of their respective companies.