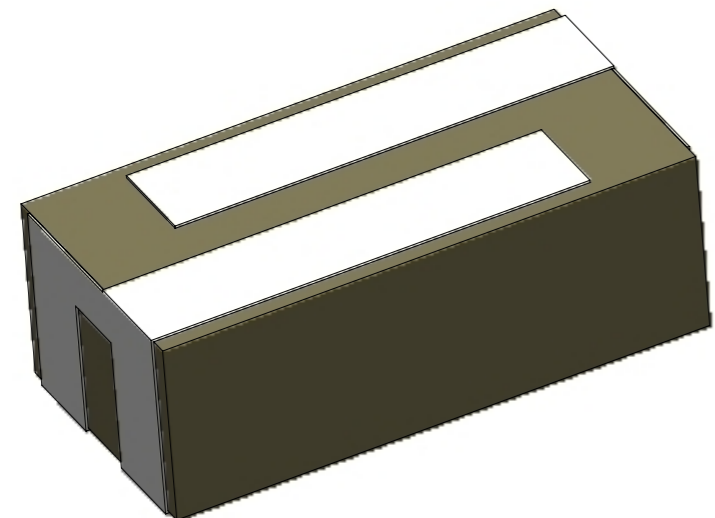
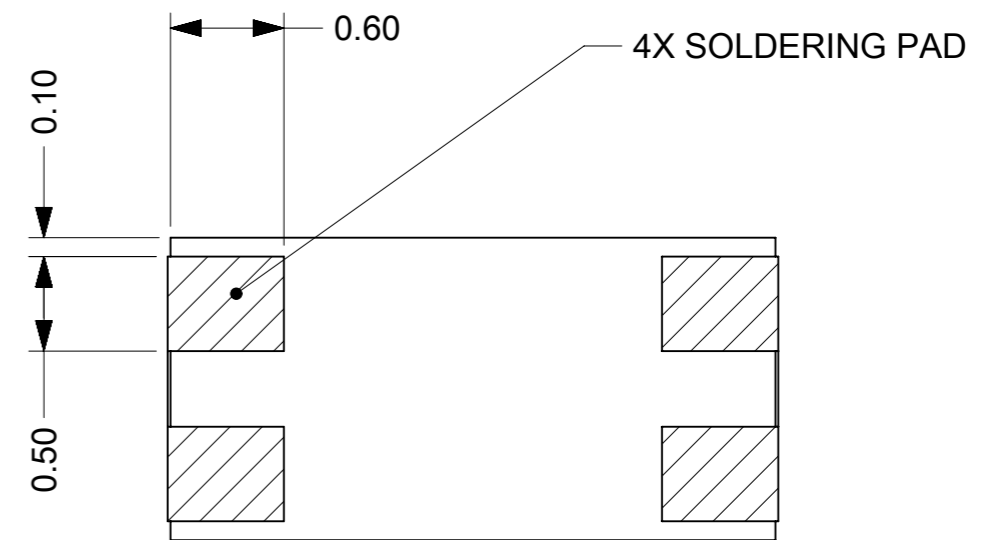
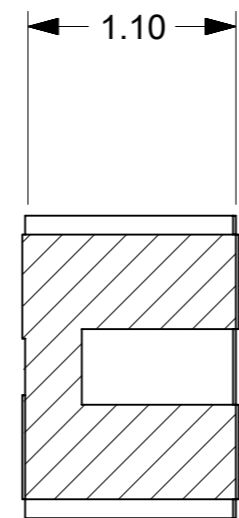


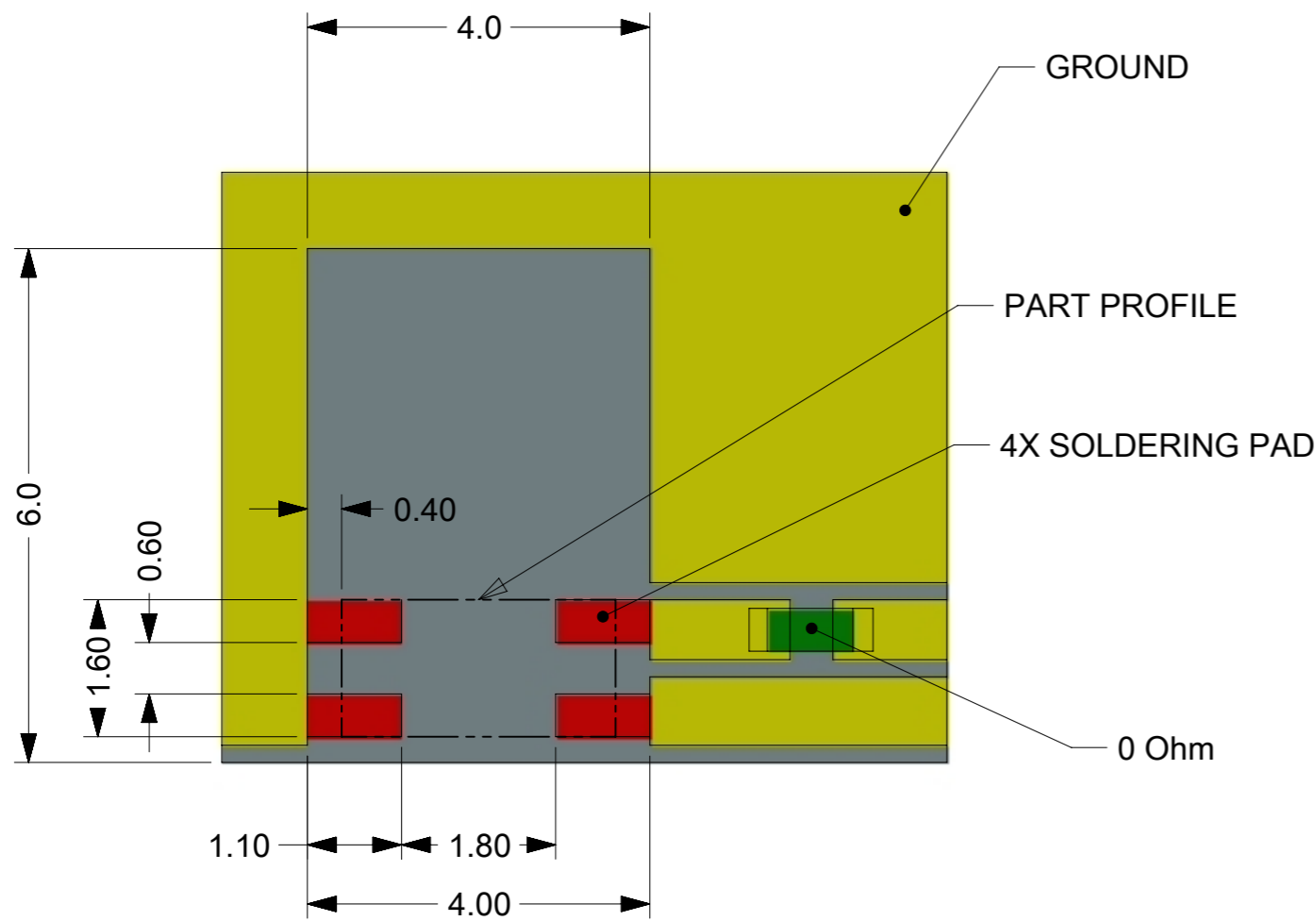
ANTENNA PATTERN



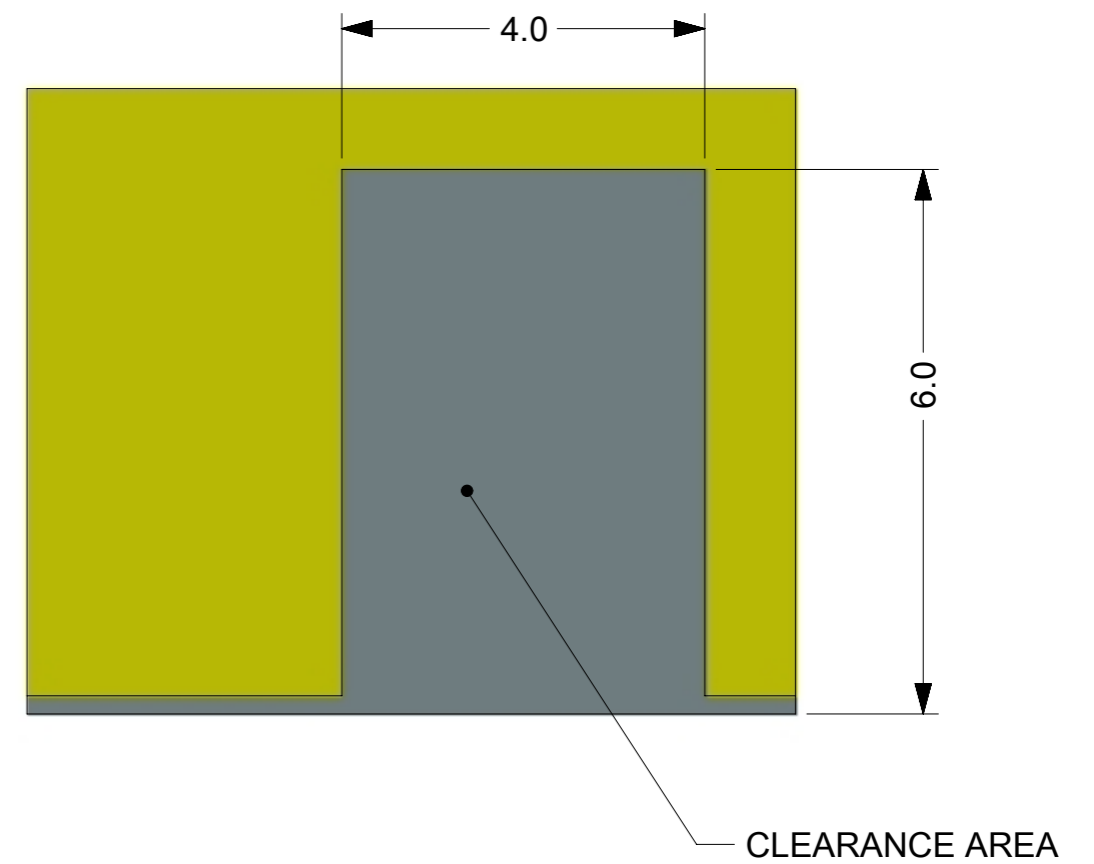
- NOTES:
1. MATERIAL: CERAMIC
 2. PLATING: Ag 3-8um
 3. PACKAGE SPEC. REFER TO PK DRAWING OF 2042830001
 4. PRODUCT SPEC. REFER TO PS OF 2042830001
 5. APPLICATION SPEC. REFER TO AS OF 2042830001

THIS DRAWING CONTAINS INFORMATION THAT IS PROPRIETARY TO MOLEX ELECTRONIC TECHNOLOGIES, LLC AND SHOULD NOT BE USED WITHOUT WRITTEN PERMISSION

EC NO: 116780 DRWN: TZHOU07 CHK'D: CXU11 APPR: XJSONG	2017/03/17 2017/06/02 2017/06/02	GENERAL TOLERANCES (UNLESS SPECIFIED) ANGULAR TOL ± °	DIMENSION UNITS: MM SCALE: 25:1			
	4 PLACES ± 3 PLACES ± 0.05 2 PLACES ± 0.1 1 PLACE ± 0.3 0 PLACES ±	DRWN BY: TZHOU07 DATE: 2017/03/17	CHK'D BY: CXU11 DATE: 2017/06/02			
	DRAFT WHERE APPLICABLE MUST REMAIN WITHIN DIMENSIONS	APPR BY: XJSONG DATE: 2017/06/02	DRAWING SIZE: A3 THIRD ANGLE PROJECTION	PRODUCT CUSTOMER DRAWING		
				SERIES: 204283 MATERIAL NUMBER: 2042830001 CUSTOMER:		
				DOCUMENT NUMBER: 2042830001 DOC TYPE: PSD DOC PART: SD SHEET NUMBER: 1 OF 2		

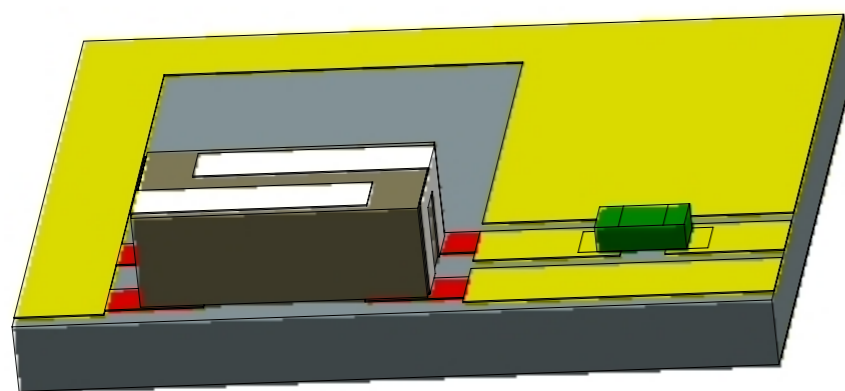


FRONT VIEW



BACK VIEW

RECOMMENDED PCB LAYOUT



THIS DRAWING CONTAINS INFORMATION THAT IS PROPRIETARY TO MOLEX ELECTRONIC TECHNOLOGIES, LLC AND SHOULD NOT BE USED WITHOUT WRITTEN PERMISSION

EC NO: 116780 DRWN: TZHOU07 CHK'D: CXU11 APPR: XJSONG	2017/03/17	GENERAL TOLERANCES (UNLESS SPECIFIED) ANGULAR TOL ± ° 4 PLACES ± 3 PLACES ± 0.05 2 PLACES ± 0.1 1 PLACE ± 0.3 0 PLACES ± DRAFT WHERE APPLICABLE MUST REMAIN WITHIN DIMENSIONS	DIMENSION UNITS	SCALE				
	2017/06/02		MM	25:1				
	2017/06/02		DRWN BY	DATE	SD FOR LOW PROFILE GNSS CERAMIC ANTENNA			
			TZHOU07	2017/03/17				
			CHK'D BY	DATE	PRODUCT CUSTOMER DRAWING			
	CXU11	2017/06/02						
	APPR BY	DATE	SERIES	MATERIAL NUMBER	CUSTOMER			
	XJSONG	2017/06/02	204283	2042830001				
	DRAWING SIZE	THIRD ANGLE PROJECTION	DOCUMENT NUMBER		DOC TYPE	DOC PART	SHEET NUMBER	
	A3		2042830001		PSD	SD	2 OF 2	