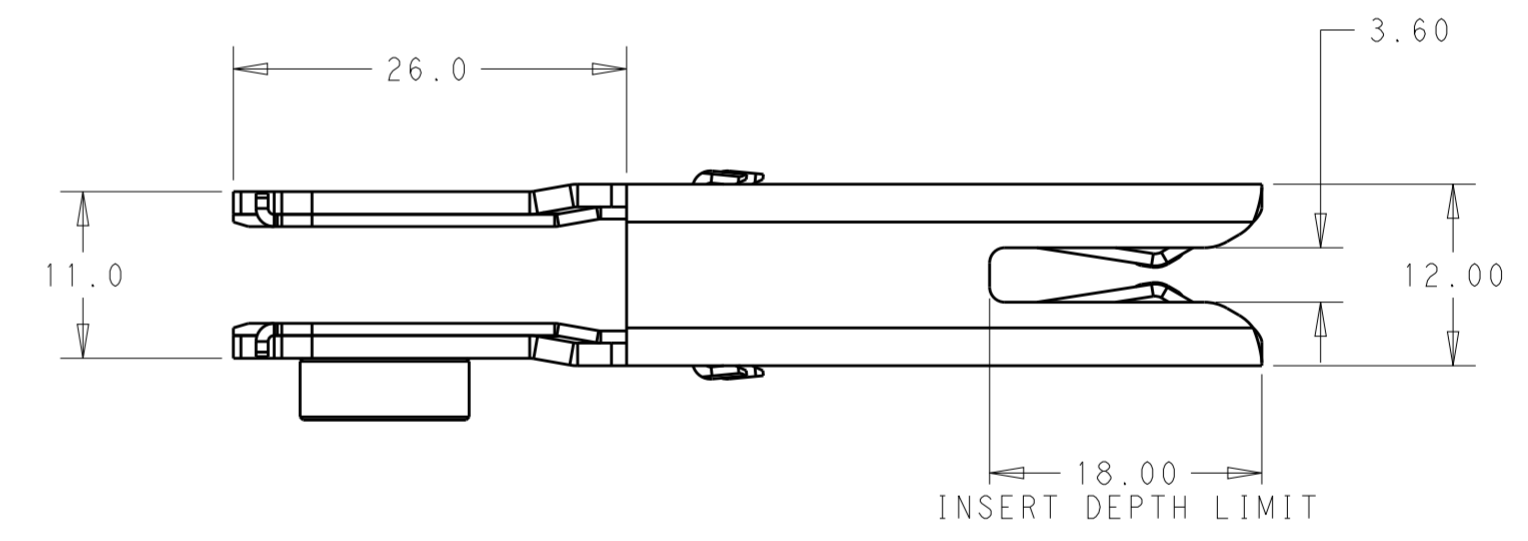
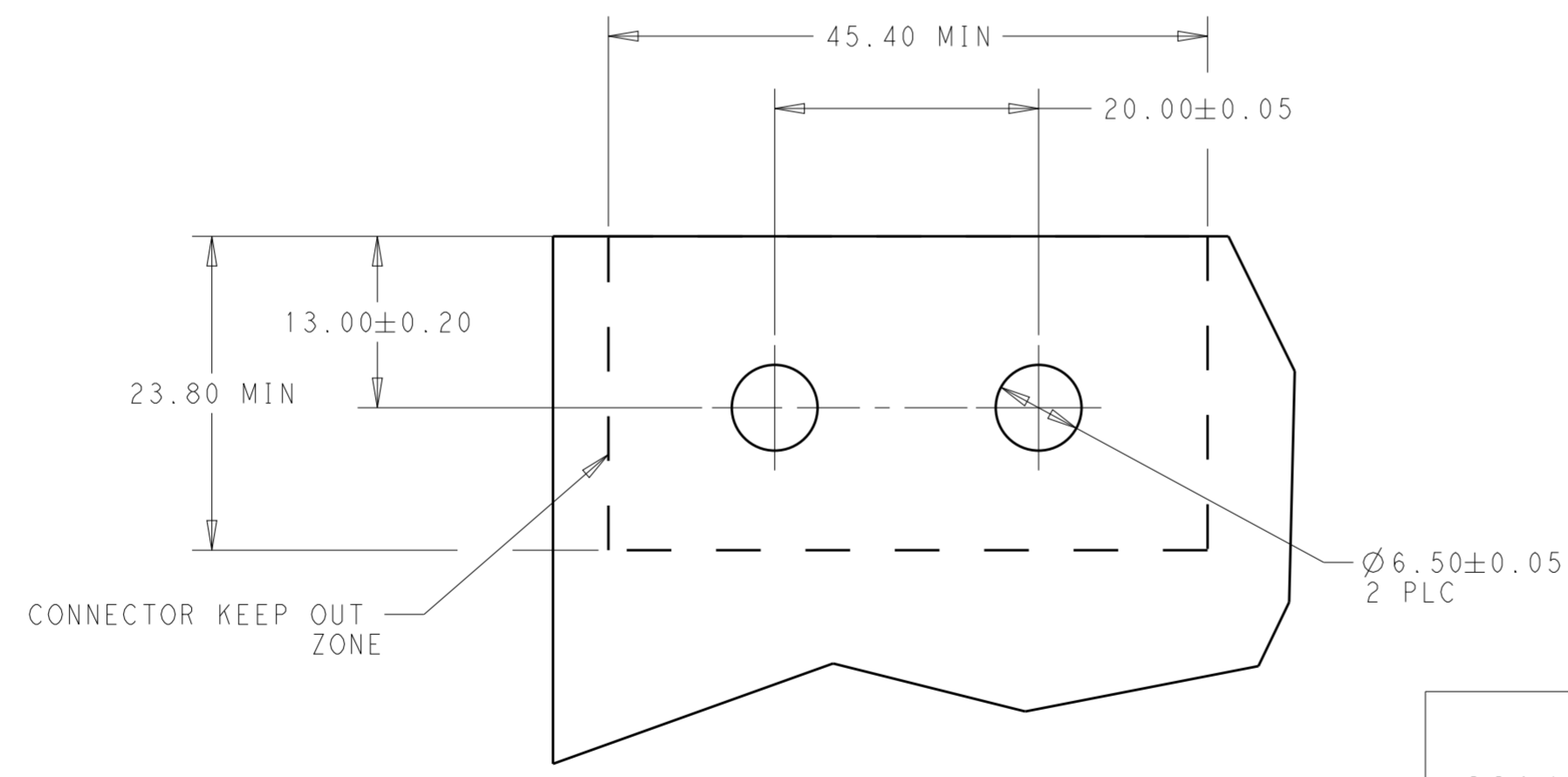
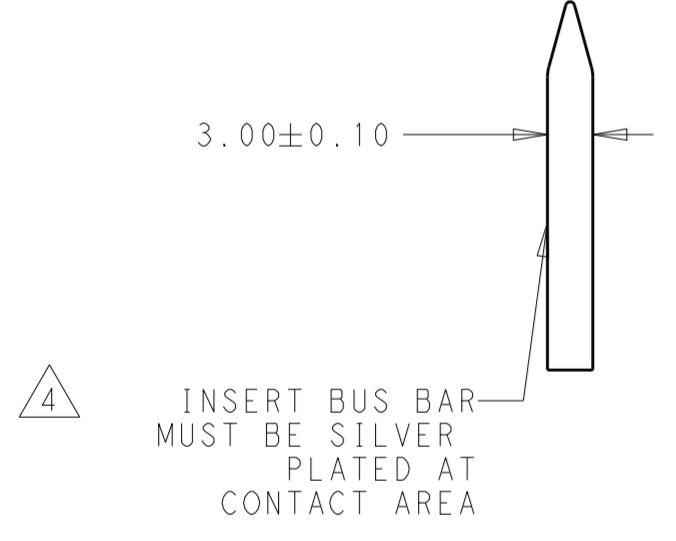
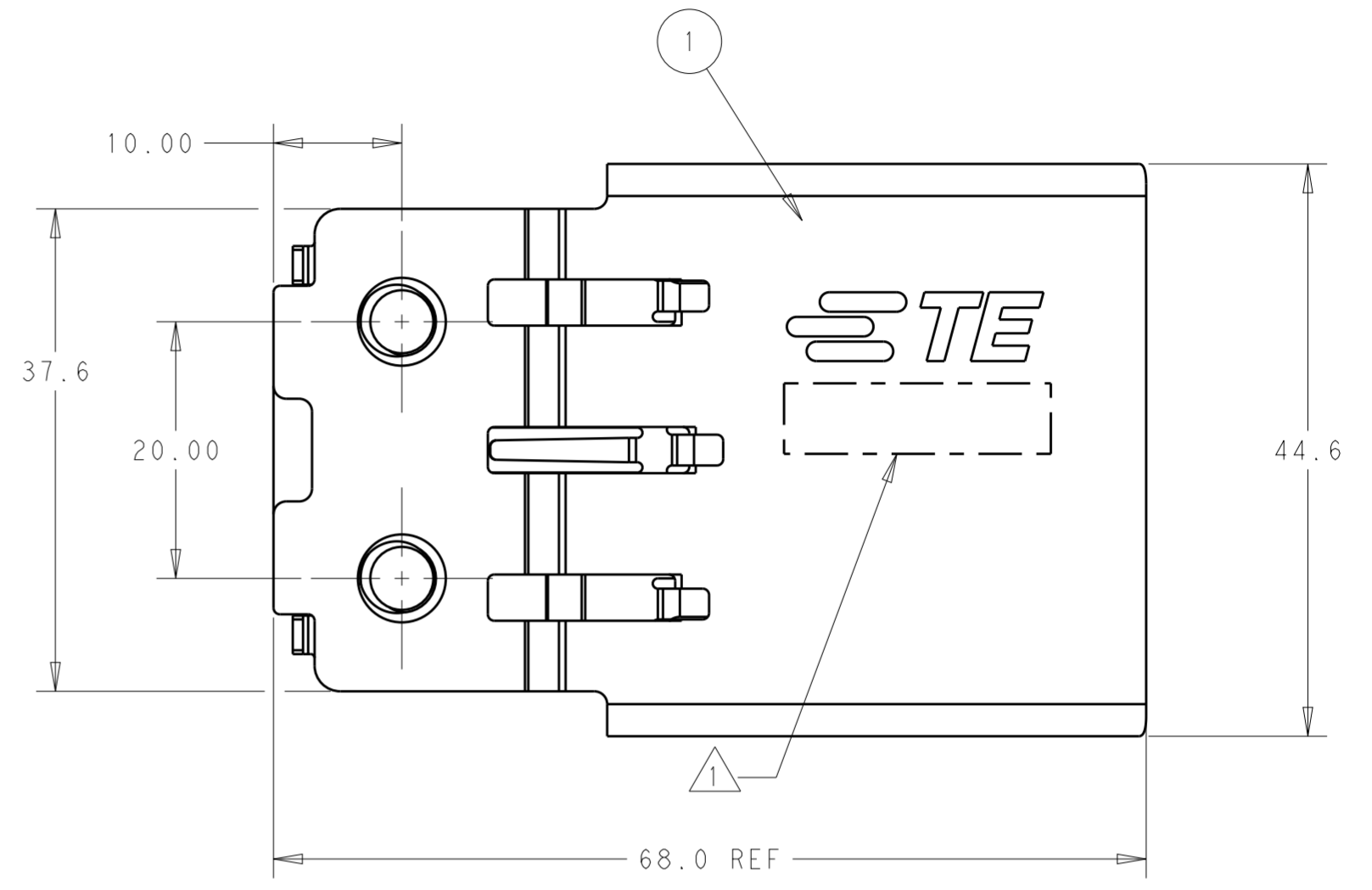
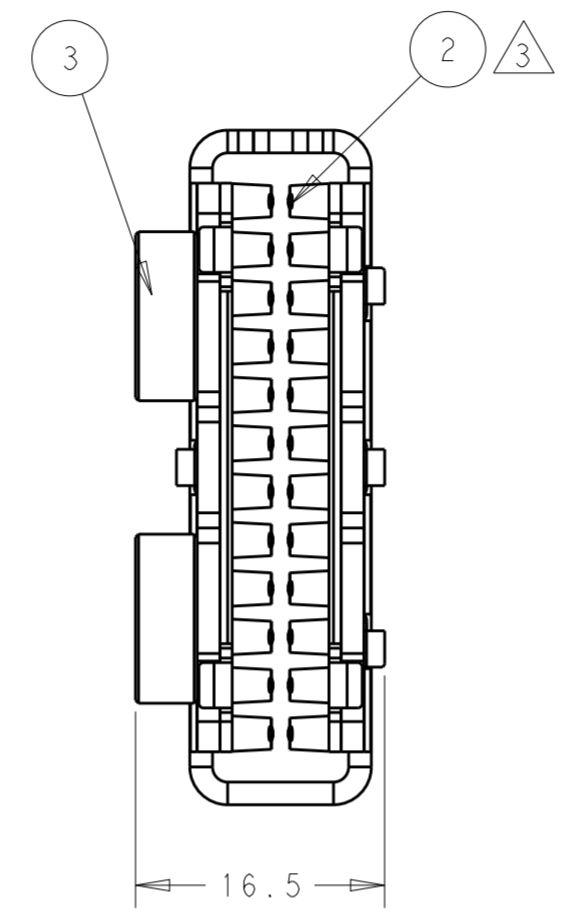
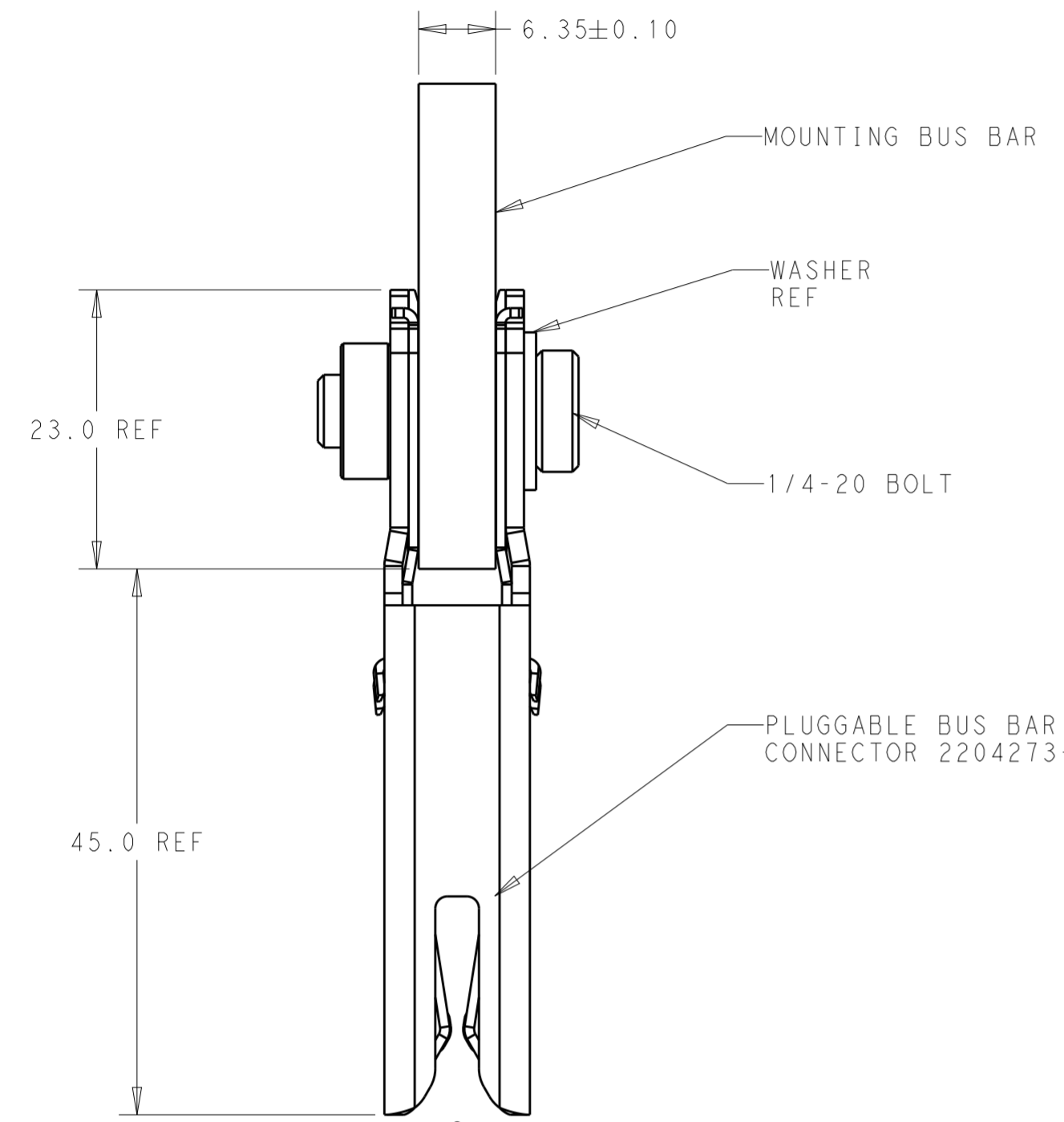


THIS DRAWING IS UNPUBLISHED. RELEASED FOR PUBLICATION 20
 © COPYRIGHT 20 BY - ALL RIGHTS RESERVED.

REVISIONS					
P	LTR	DESCRIPTION	DATE	DWN	APVD
	A	RELEASE	05JUL2016	AL	SZ
	A1	ADD NOTES	19JUL2017	AL	SZ



- NOTES:
- ① PART NUMBER AND DATACODE TO BE MARKED IN AREA SHOWN
 - ② MATERIAL: SHOWN IN BOM LIST
 - ③ CONTACT PLATING: SILVER PLATING ON CONTACT FUNCTIONAL AREA
 - ④ BUS BAR MUST BE SILVER PLATING ON CONTACT AREA

PART NUMBER	ITEMS	DESCRIPTION	MATERIAL	Q'TY	FINISH
2204273-1 ②	3	CLINCHING NUT 1/4-20 THREAD	STAINLESS STEEL	2	-
	2	CONTACT	COPPER ALLOY	2	SILVER
	1	OUTER HOUSING	STAINLESS STEEL	1	-

THIS DRAWING IS A CONTROLLED DOCUMENT.		DWN ANDY LI 17JUN2014	STE TE Connectivity	
DIMENSIONS: mm		CHK SUNY ZHAO 17JUN2014		
TOLERANCES UNLESS OTHERWISE SPECIFIED:		APVD SUNY ZHAO 17JUN2014	NAME PLUGGABLE BUS BAR CONNECTOR IN-LINE MOUNTING	
0 PLC ±-		PRODUCT SPEC 108-128012	SIZE CAGE CODE DRAWING NO RESTRICTED TO	
1 PLC ±0.2		APPLICATION SPEC 114-2111	A2 - C-2204273	
2 PLC ±0.15		WEIGHT 97.28	SCALE 1:1 SHEET 1 OF 1 REV A1	
3 PLC ±0.05		CUSTOMER DRAWING		
4 PLC ±0.0001				
ANGLES ±1				
FINISH -				