

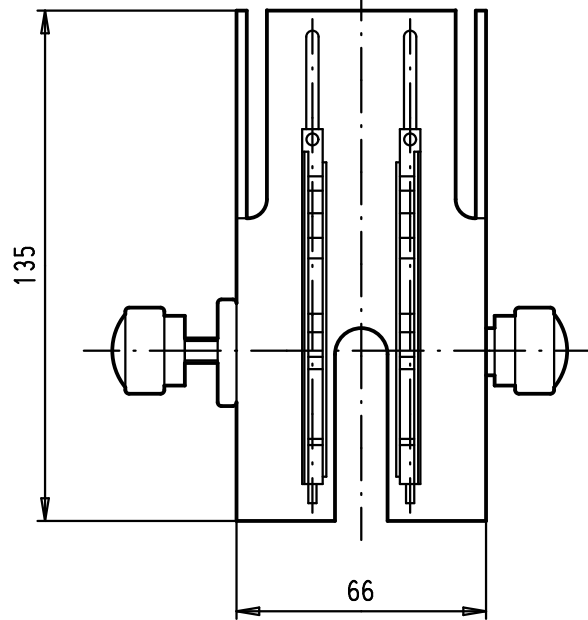
5

4

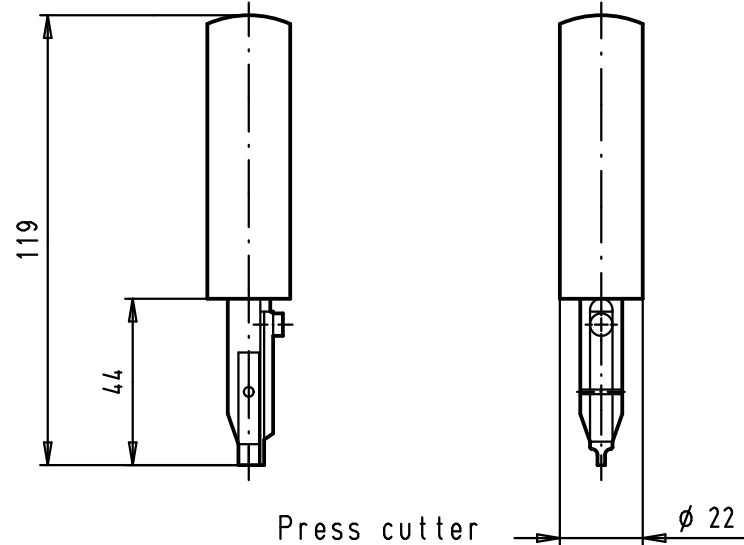
3

2

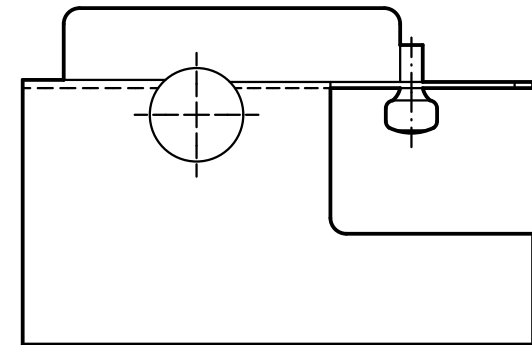
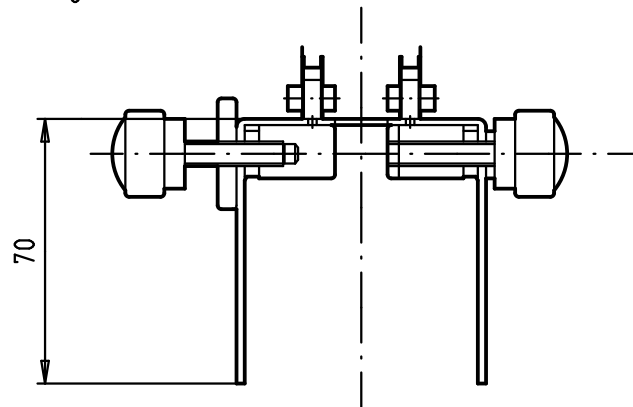
1





Cable aligner



Press cutter



				Dot.	Name	 All Dim. in mm Orig. Size DIN A 4	Har-mik tools: cable aligner and press cutter	Maßstab/ Scale
			Detail.	30/07/07	PK			1:2
			Insp.					
			Stand.					
34389	30/07/07	PK	HARTING EURL F-95972 Paris				TB 60 99 000 0011	Blatt/ Page
Mod.	Dot.	Name					Sub.	1 / 1