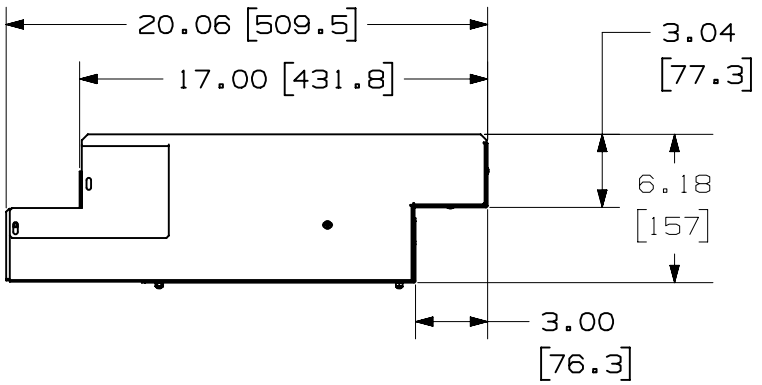


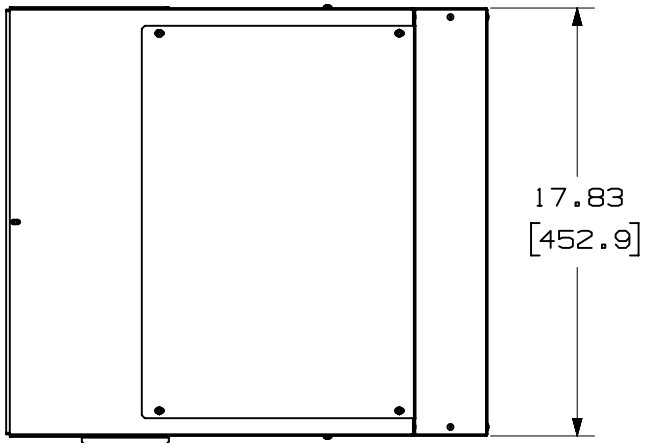
2

1

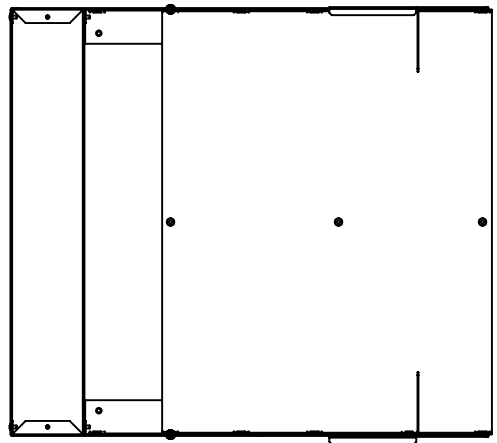
THIS COPY IS PROVIDED ON A RESTRICTED BASIS AND IS NOT TO BE USED IN ANY WAY DETRIMENTAL TO THE INTERESTS OF PANDUIT CORP.



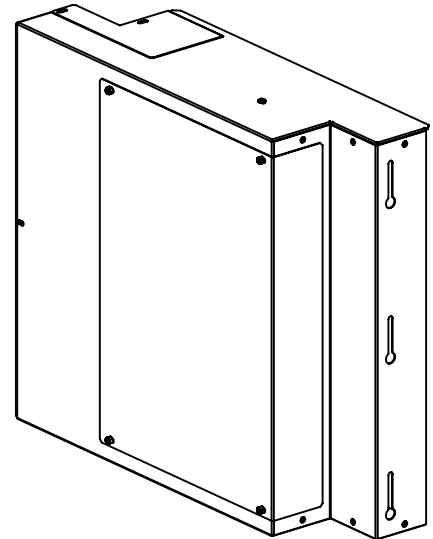
- NOTES:
- VISIT OUR ON-LINE CATALOG AT WWW.PANDUIT.COM FOR A CURRENT LIST OF PRODUCTS APPLICABLE FOR USE WITH THIS PART.
 - COMPONENTS:
 - MAIN DUCT
 - DUCT EXTENSION
 - REMOVABLE OUTER ACCESS PANEL
 - RECESSED SWITCH MOUNT BRACKETS
 - DIMENSIONS IN PARENTHESES ARE METRIC.
 - PANDUIT REQUIRES A 3" SETBACK OF THE SWITCH MOUNTED TO THE 4 POST RACK TO IMPROVE AIRFLOW.



OUTSIDE



INSIDE



00B	7/14/14	RYB	RyB		RELEASED TO PRODUCTION	13V389AE_DC
00A	10/31/13	RYB			RELEASED FOR REVIEW	

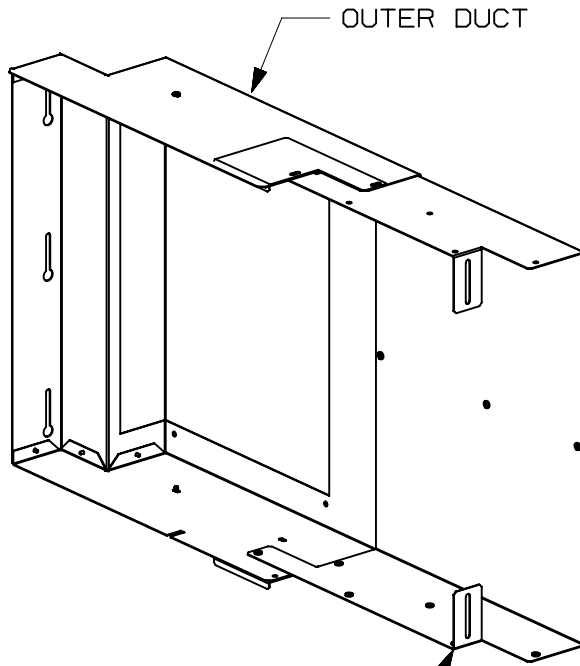
TITLE		R4PAE4 EXHAUST DUCT	
CUSTOMER DRAWING			
ITEM REVISION NAME	13V389AE/00	PANDUIT	
DATASET FILE NAME	13V389AE_DC/00B		
UNLESS OTHERWISE SPECIFIED, DIMENSIONAL TOLERANCES ARE: IN [mm]		MATERIAL: SEE NOTES	
.x ± .1 [2.54] .xxx ± .005 [.127]		DRAWING NUMBER: 13V389AE_DC	
.xx ± .01 [.25] ANGLES ± 5 °			
		THIRD ANGLE PROJECTION	
DRAWN BY	DATE	CHK	SCALE
RYB	10/31/13	RyB	NONE

REV	DATE	BY	CHK	APR	DESCRIPTION	ECN	SHT 1 OF 2	SIZE
								A

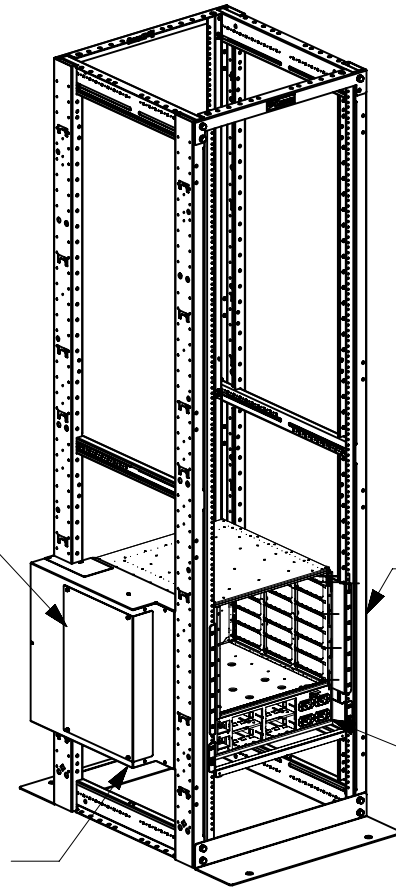
2

1

THIS COPY IS PROVIDED ON A RESTRICTED BASIS AND IS NOT TO BE USED IN ANY WAY DETRIMENTAL TO THE INTERESTS OF PANDUIT CORP.



DUCT EXTENSION ALLOWS
DUCT TO BE USED ON
23", 30" AND 36" DEEP RACKS



REMOVABLE
OUTER
PANEL

4-POST RACK
(SOLD SEPARATELY)

CISCO CATALYST
6807-XL SWITCH
(NOT INCLUDED)

EXHAUST DUCT

00B	7/14/14	RYB	RYB		SEE SHEET 1 OF 2	13V389AE_DC
00A	10/31/13	RYB			SEE SHEET 1 OF 2	
REV	DATE	BY	CHK	APR	DESCRIPTION	ECN

TITLE		R4PAE4 EXHAUST DUCT	
CUSTOMER DRAWING			
ITEM REVISION NAME		13V389AE/00	
DATASET FILE NAME		13V389AE_DC/00B	
UNLESS OTHERWISE SPECIFIED, DIMENSIONAL TOLERANCES ARE: IN [mm]		MATERIAL:	
.x ± .1 [2.54] .xxx ± .005 [.127]		SEE NOTES	
.xx ± .01 [.25] ANGLES ± 5 °		DRAWING NUMBER:	
		13V389AE_DC	
DRAWN BY	DATE	CHK	SCALE
RYB	10/31/13	RYB	NONE
SHT 2 OF 2			SIZE
			A

2

1