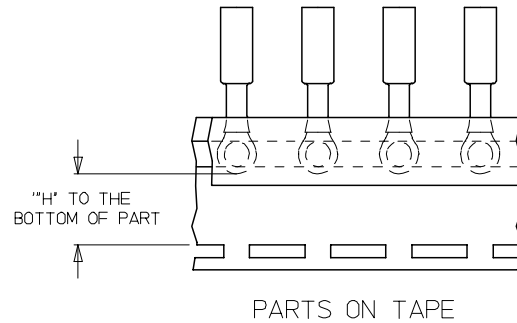
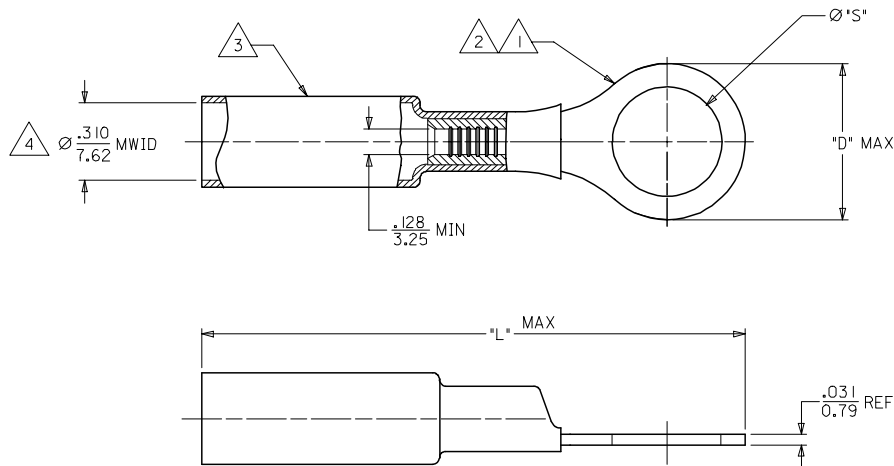


MATERIAL NUMBER	ENGINEERING NUMBER	MATERIAL NUMBER ON TAPE	ENGINEERING NUMBER ON TAPE	STUD SIZE	"S" ±.005/0.03	"D" MAX	"H" ±.020/0.50	"L" MAX
191640060	SC-228-04	191640936	SC-228-04T	#4	.126/3.20	.39/9.9	4.69/11.91	1.39/35.1
191640061	SC-228-06	191640937	SC-228-06T	#6	.146/3.71	.39/9.9	4.69/11.91	1.39/35.1
191640062	SC-228-08	191640938	SC-228-08T	#8	.173/4.39	.39/9.9	4.69/11.91	1.39/35.1
191640063	SC-228-10	191640939	SC-228-10T	#10	.198/5.03	.39/9.9	4.69/11.91	1.39/35.1
191640065	SC-230-10	191640316	SC-230-10T	#10	.198/5.03	.54/13.7	3.02/7.67	1.55/39.4
191640066	SC-230-14	191640317	SC-230-14T	1/4	.265/6.73	.54/13.7	3.02/7.67	1.55/39.4
191640067	SC-230-56	191640318	SC-230-56T	5/16	.328/8.33	.54/13.7	3.02/7.67	1.55/39.4
191640068	SC-240-38	191640857	SC-240-38T	3/8	.390/9.91	.60/15.2	3.85/9.78	1.55/39.4
191640058	SC-201-12	---	---	1/2	.515/13.08	.76/19.3	---	1.87/47.5



# SALES DRAWING

## NOTES:

- ① TERMINAL MATERIAL: COPPER ALLOY
- ② FINISH: ELECTRO TIN PLATE.
- ③ INSULATION MATERIAL: HEAT SHRINKABLE TUBING WITH HOTMELT ADHESIVE INNER LINER. COLOR: YELLOW
- ④ MWID = MAXIMUM WIRE INSULATION DIAMETER.
- ⑤ PARTS ON TAPE DOUBLE SPACED.

ADD MAT'L NUMBER EC NO: ETC2005-0208 DRW: JMW/RYCK 2005/05/31 CHK: D/ROROSS 2005/05/31 APPR: JPAN/LCK 2005/05/31	QUALITY SYMBOLS	GENERAL TOLERANCES (UNLESS SPECIFIED)	DIMENSION STYLE IN/MM	SCALE ---	DESIGN UNITS INCH	THIRD ANGLE PROJECTION																																								
	 	<table border="1"> <thead> <tr> <th></th> <th>mm</th> <th>INCH</th> </tr> </thead> <tbody> <tr> <td>4 PLACES</td> <td>± ---</td> <td>± ---</td> </tr> <tr> <td>3 PLACES</td> <td>± ---</td> <td>± ---</td> </tr> <tr> <td>2 PLACES</td> <td>± ---</td> <td>± ---</td> </tr> <tr> <td>1 PLACE</td> <td>± ---</td> <td>± ---</td> </tr> <tr> <td colspan="3">ANGULAR ± ---°</td> </tr> </tbody> </table>		mm	INCH	4 PLACES	± ---	± ---	3 PLACES	± ---	± ---	2 PLACES	± ---	± ---	1 PLACE	± ---	± ---	ANGULAR ± ---°			<table border="1"> <thead> <tr> <th>DRAWN BY</th> <th>DATE</th> <th>TITLE</th> </tr> </thead> <tbody> <tr> <td>BENDERLE</td> <td>2002/09/10</td> <td>RING TONGUE TERMINAL PERMA-SEAL NIAC 12-10 AWG</td> </tr> <tr> <th>CHECKED BY</th> <th>DATE</th> <td></td> </tr> <tr> <td>HBEITZEL</td> <td>2002/09/10</td> <td></td> </tr> <tr> <th>APPROVED BY</th> <th>DATE</th> <td></td> </tr> <tr> <td>RDEROSS</td> <td>2002/09/10</td> <td></td> </tr> </tbody> </table>	DRAWN BY	DATE	TITLE	BENDERLE	2002/09/10	RING TONGUE TERMINAL PERMA-SEAL NIAC 12-10 AWG	CHECKED BY	DATE		HBEITZEL	2002/09/10		APPROVED BY	DATE		RDEROSS	2002/09/10		<table border="1"> <thead> <tr> <th>MATERIAL NO.</th> <th>DOCUMENT NO.</th> <th>SHEET NO.</th> </tr> </thead> <tbody> <tr> <td>SEE CHART</td> <td>SD-19164-041</td> <td>1 OF 1</td> </tr> </tbody> </table>	MATERIAL NO.	DOCUMENT NO.	SHEET NO.	SEE CHART	SD-19164-041	1 OF 1
		mm	INCH																																											
	4 PLACES	± ---	± ---																																											
3 PLACES	± ---	± ---																																												
2 PLACES	± ---	± ---																																												
1 PLACE	± ---	± ---																																												
ANGULAR ± ---°																																														
DRAWN BY	DATE	TITLE																																												
BENDERLE	2002/09/10	RING TONGUE TERMINAL PERMA-SEAL NIAC 12-10 AWG																																												
CHECKED BY	DATE																																													
HBEITZEL	2002/09/10																																													
APPROVED BY	DATE																																													
RDEROSS	2002/09/10																																													
MATERIAL NO.	DOCUMENT NO.	SHEET NO.																																												
SEE CHART	SD-19164-041	1 OF 1																																												
DRAFT WHERE APPLICABLE MUST REMAIN WITHIN DIMENSIONS																																														
THIS DRAWING CONTAINS INFORMATION THAT IS PROPRIETARY TO MOLEX INCORPORATED AND SHOULD NOT BE USED WITHOUT WRITTEN PERMISSION																																														