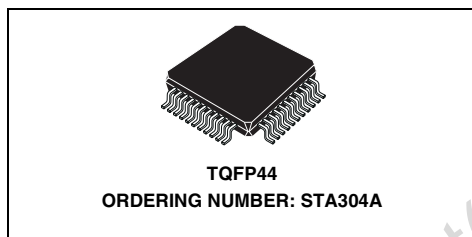


DIGITAL AUDIO PROCESSOR WITH MULTICHANNEL DDX™

- STA304A END TO END DIGITAL AUDIO INTEGRATED SOLUTION
- DSP Functions:
 - DIGITAL VOLUME CONTROL
 - SOFT MUTE
 - BASS and TREBLE
 - PARAMETRIC EQ PER CHANNEL
 - BASS MANAGEMENT FOR SUBWOOFER
 - AUTO MUTE ON ZERO INPUT DETECTION
- 4+1 DIRECT DIGITAL AMPLIFICATION (DDX™) OUTPUT CHANNELs
- 6 CHANNELs PROGRAMMABLE SERIAL OUTPUT INTERFACE (by default I2S)
- 4 CHANNELs PROGRAMMABLE SERIAL INPUT INTERFACE (by default I2S)
- STEREO S/PDIF INPUT INTERFACE
- Intel AC'97 LINK (rev. 2.1) INPUT INTERFACE FOR AUDIO AND CONTROL
- ON CHIP AUTOMATIC INPUT SAMPLING FREQUENCY DETECTION
- 100 dB SNR SAMPLE RATE CONVERTER (1KHz SINUSOIDAL INPUT)
- I²C CONTROL BUS
- LOW POWER 3.3V CMOS TECHNOLOGY

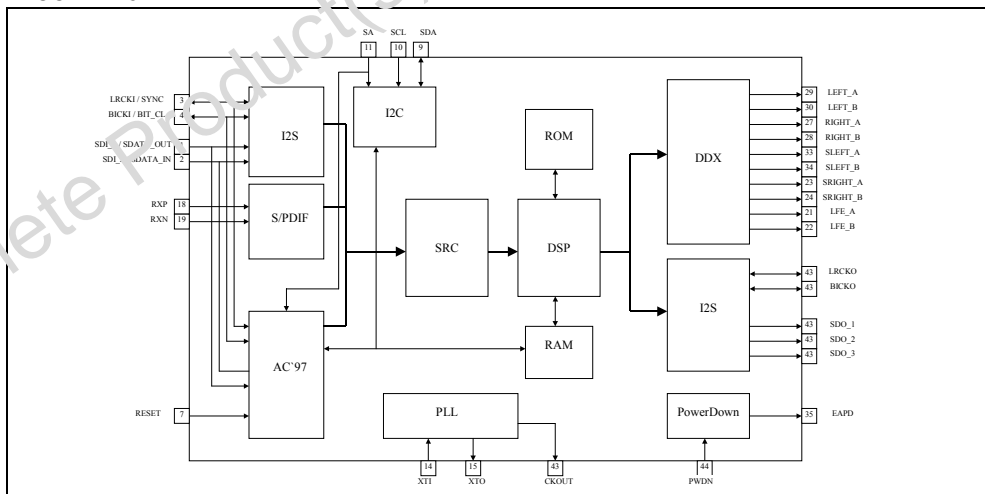


- EMBEDDED PLL FOR INTERNAL CLOCK GENERATION (1024x48 kHz = 49.152 MHz)
- 6.144 MHz EXTERNAL INPUT CLOCK OR BUILT-IN INDUSTRY STANDARD XTAL OSCILLATOR
- VARIABLE DIGITAL GAIN UP TO 24dB (0.75dB STEP)

1.0 DESCRIPTION

The STA304A Digital Audio Processor is a single chip device implementing end to end digital solution for audio application. In conjunction with STA500 power bridge it gives the full digital DSP-to-power high quality chain with no need for audio Digital-to-Analog converters between DSP and power stage.

BLOCK DIAGRAM



1.0 DESCRIPTION (continued)

The device supports two main configurations as far as input sources: AC'97 input or IIS/SPDIF input: selection is made via a dedicated pin (AC97_MODE pin). The AC'97 can be configured to work in two different ways: 'Full Compliant' mode and 'Proprietary' mode which enables more features. The selection of the operating mode is done via a specific bit in a Vendor Reserved register (see bit 0: AC97_FC_mode in the CRA register, address 5Ah).

The 'Full Compliant' mode is compliant with rev. 2.1 of AC'97 link specifications.

This link can provide up to 6 input audio channels with sampling frequency of 44.1, 48, 88.2, 96 kHz, and the related controls.

In the IIS/SPDIF mode, a stereo S/PDIF and a 4 channels three-wires programmable serial input interface work in mutually exclusive way. Two channels with sampling frequency in the continuous range from 32 to 96 kHz are supported by the S/PDIF interface. Up to four channels with sampling frequency varying continuously from 32kHz up to 96 kHz are supported by the programmable serial interfaces. Among the different configurations, also the standard IIS protocol is supported.

An embedded high quality sample rate converter (SRC) resamples input data at the internal fixed sampling frequency of 48 kHz for DSP operations.

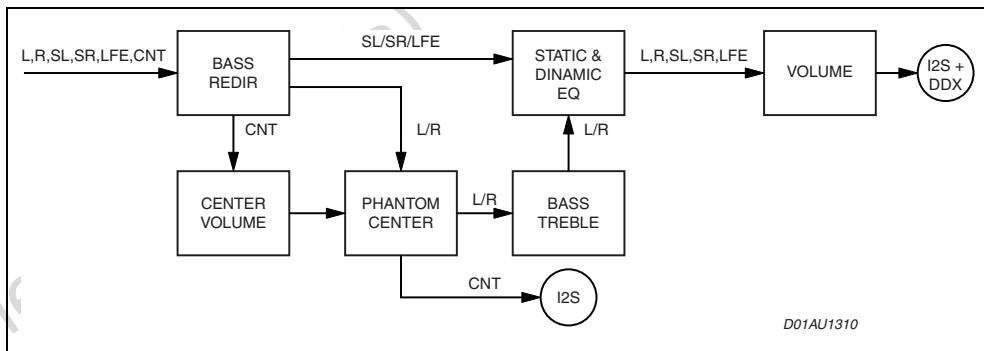
The DSP is a 20x20 bit core audio processor performing several user controlled parametric algorithms, among them are dynamic and static equalization, Bass, Treble, Volume control and more. The DSP operates at 49.152MHz (1024xfs). This frequency is generated by an internal PLL with programmable multiplication factor (x2 or x8).

This device has 5 channels Direct Digital Amplification (DDX™ technology), performing high efficiency class-D PWM output signals used to drive directly external power bridge stages (STA500).

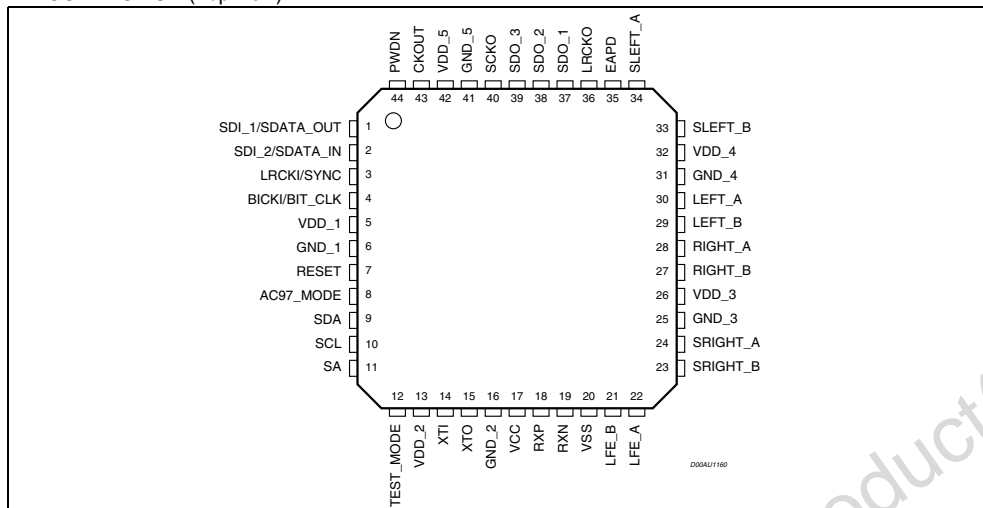
In addition a 6 channel digital output programmable interface (supporting IIS standard protocol) is embedded for applications with commercial audio D/A converters. The output sampling frequency is fixed at 48 kHz when the interface operates as master. In addition an oversampled clock (256xfs or 512xfs) is provided externally for the D/A converters.

An IIC interface allows full programmability of internal algorithms and control registers via an external controller. An arbitration logic handles access conflicts to embedded control registers (which may occur as a consequence of contemporary access to control registers by AClink, IIC and DSP blocks).

Figure 1. DSP data processing



PIN CONNECTION (Top view)



PIN FUNCTION

PIN	NAME	TYPE	DESCRIPTION	PAD TYPE
1	SDI_1 / SDATA_OUT	I	Input I2S Serial Data 1 / AC97 Output Data	CMOS Schmitt In
2	SDI_2 / SDATA_IN	I/O	Input I2S Serial Data 2 / AC97 Input Data	CMOS In / CMOS Out 2mA
3	LRCKI / SYNC	I/O	Input I2S Left/Right Clock / AC97 Synch. Clock	CMOS In / CMOS Out 2mA
4	BICKI / BIT_CLK	I/O	Input I2S Serial Clock / AC97 Bit Clock	CMOS In / CMOS Out 4mA
5	VDD_1		Digital Supply Voltage	
6	GND_1		Digital Ground	
7	RESET	I	Global Reset (This pin is sensed only after 2 clock cycles)	CMOS Schmitt In Pull-Up
8	AC97_MODE	I	AC97 Enable / Disable (1=AC97; 0=I2S/SPDIF)	CMOS Schmitt In Pull-Down
9	SDA	I/O	I2C Serial Data	CMOS In / CMOS Out 2mA
10	SCL	I	I2C Serial Clock	CMOS In
11	SA		Select Address (I2C / AC97)	CMOS In
12	TEST_MODE	I	Test Mode (Active High)	CMOS
13	VDD_2		Digital Supply Voltage	
14	XT1	I	Crystal Input (Clock input)	Analog IN
15	XTO	O	Crystal Output	CMOS Out Oscill. Pad
16	GND_2		Digital Ground	

PIN FUNCTION (continued)

PIN	NAME	TYPE	DESCRIPTION	PAD TYPE
17	VCC		Analog Supply Voltage	
18	RXP	I	S/PDIF receiver positive	Analog In
19	RXN	I	S/PDIF receiver negative	Analog In
20	VSS		Analog Ground	
21	LFE_B	O	Pwm LFE (subwoofer) output channel (B)	CMOS Out 3mA
22	LFE_A	O	Pwm LFE (subwoofer) output channel (A)	CMOS Out 3mA
23	SRIGHT_B	O	Pwm Surround Right output channel (B)	CMOS Out 3mA
24	SRIGHT_A	O	Pwm Surround Right output channel (A)	CMOS Out 3mA
25	GND_3		Digital Ground	
26	VDD_3		Digital Supply Voltage	
27	RIGHT_B	O	Pwm Right output channel (B)	CMOS Out 3mA
28	RIGHT_A	O	Pwm Right output channel (A)	CMOS Out 3mA
29	LEFT_B	O	Pwm Left output channel (B)	CMOS Out 3mA
30	LEFT_A	O	Pwm Left output channel (A)	CMOS Out 3mA
31	GND_4		Digital Ground	
32	VDD_4		Digital Supply Voltage	
33	SLEFT_B	O	Pwm Surround Left output channel (B)	CMOS Out 3mA
34	SLEFT_A	O	Pwm Surround Left output channel (A)	CMOS Out 3mA
35	EAPD	O	External Amplifier Powerdown (Active Low)	CMOS Out 2mA
36	LRCKO	I/O	Output I2S Left/Right Clock	CMOS In / CMOS Out 2mA
37	SDO_1	O	Output I2S Serial Data 1	CMOS Out 2mA
38	SDO_2	O	Output I2S Serial Data 2	CMOS Out 2mA
39	SDO_3	O	Output I2S Serial Data 3	CMOS Out 2mA
40	SCKO	I/O	Output I2S Serial Clock	CMOS In / CMOS Out 4mA
41	GND_5		Digital Ground	
42	VDD_5		Digital Supply Voltage	
43	CKOUT	O	Clock Output (12 /24 MHz)	CMOS Out 8mA
44	PWDN	I	Device Powerdown (Active Low)	CMOS In Pull-Up

ABSOLUTE MAXIMUM RATINGS

Symbol	Parameter	Value	Unit
V _{DD}	Power Supply	-0.3 to 4	V
V _i	Voltage on input pins	-0.3 to V _{DD} +0.3	V
V _o	Voltage on output pins	-0.3 to V _{DD} +0.3	V
T _{stg}	Storage Temperature	-40 to +150	°C
T _{op}	Operative ambient temperature	-20 to +85	°C
P _{DD}	Power Consumption Digital	tbd	mW
P _{DA}	Power Consumption Analog	tbd	mW

THERMAL DATA

Symbol	Parameter	Value	Unit
R _{thj-amb}	Thermal resistance Junction to Ambient	85	°C/W

ELECTRICAL CHARACTERISTICS (V_{DD} = 3.3V ± 0.3V; T_{amb} = 0 to 70 °C; unless otherwise specified)

DC OPERATING CONDITIONS

Symbol	Parameter	Value
V _{DD}	Power Supply Voltage	3.0 to 3.6V
T _j	Operating Junction Temperature	-20 to 125 °C

GENERAL INTERFACE ELECTRICAL CHARACTERISTICS

Symbol	Parameter	Test Condition	Min.	Typ.	Max.	Unit	Note
I _{il}	Low Level Input Current Without pull-up device	V _i = 0V	-10		10	μA	1
I _{ih}	High Level Input Current Without pull-up device	V _i = V _{DD} = 3.6V	-10		10	μA	1
V _{esd}	Electrostatic Protection	Leakage < 1μA	2000			V	2

Note 1: The leakage currents are generally very small, < 1na. The value given here is a maximum that can occur after an electrostatic stress on the pin.

Note 2: Human Body Model

DC ELECTRICAL CHARACTERISTICS

Symbol	Parameter	Test Condition	Min.	Typ.	Max.	Unit	Note
V _{il}	Low Level Input Voltage				0.2·V _{DD}	V	
V _{ih}	High Level Input Voltage		0.8·V _{DD}			V	
V _{ol}	Low Level Output Voltage	I _{ol} = X mA			0.4·V _{DD}	V	1,2
V _{oh}	High Level Output Voltage		0.85·V _{DD}			V	1,2

Note 1: Takes into account 200mV voltage drop in both supply lines

Note 2: X is the source/sink current under worst case conditions and is reflected in the name of the I/O cell according to the drive capability.

I _{pu}	Pull-up current	V _i = 0V; V _{DD} = 3.3V	-25	-66	-125	μA	1
R _{pu}	Equivalent Pull-up resistance			50		kΩ	
T _R	Reset Active Time			2·T _{CK}		ns	
T _{CK}	Master Clock Period			$\frac{1}{49.152}$		ns	

Note 1: Min condition: V_{dd} = 3.0V, 125°C Min process; Max. condition: V_{dd} = 3.6 V, -20°C max process.

DIGITAL CHARACTERISTICS-SPDIF RECEIVER (RXP,RXN pins only, SPDIF - MODE = ANALOG)

ZIN	Input Resistance					kΩ	
VTH	Differential Input Voltage		200			mV	
VHY	Input Hysteresis			50		mV	

2.0 AC`97 BANK REGISTER OVERVIEW

The AC`97 interface is compliant to 'Audio Codec`97 – Revision 2.1' specification, as far as the protocol used. All the registers described in this specification, including Standard, Vendor Reserved and Extended Audio (AC`97 2.0) registers, are available in this device, but just relevant registers which are described in paragraph 11 (Register Summary) are implemented.

The ATE mode feature has been implemented for test purpose: for related details refer to the 'Audio Codec`97 – Revision 2.1' specification.

2.1 Reading AC`97 Registers

Since the AC`97 register bank has been implemented as a contiguous RAM space (from a DSP point of view) the content of the RAM itself will be returned as the result of a read operation. This should be followed as a general rule of thumb but, where not possible, a different approach has been used. Hereby is a list of the registers, and bits, that do not follow this rule or that have a particular handling:

- **CodeclD_0, CodeclD_1:**
These two bit are respectively bits 14 and 15 of registers 28h (Extended Audio ID) and 3Ch (EWxtended Modem ID). When a read operation of these registers is performed the returned value is based on the status of the SA pin: CodeclD_0 report the status of SA pin, CodeclD_1 always report 0. Other bits of these registers return the related RAM register contents. Also note that the status of the SA pin is not readable by the DSP.
- **PR4:**
The bit 12 of register 26h (Powerdown, ctrl/start) is used to set the AC`97 BIT_CLK and SDATA_IN signal to a low state. In response to a Warmers the status of this bit is set back to its default 0 value. In response

to a read request the actual value of this signal is returned, not the RAM content. Due to this fact the relative RAM register content can be incongruous.

- **Regs. 2Ch, 2Eh and 30h (Audio Sample Rate Control):**
These three registers are used to setup the sample rate when the Variable Rate Mode is enabled. In response to a read request on one of these registers the actual value returned can be either BB80h or AC44h, depending on the status of an internal hardware signal; the status of this signal is updated every time a write operation into one of these register is performed.

For more details regarding a specific bit please refer to the appropriate paragraph.

In order to be as much compliant to the specification as possible two different mode of operation has been introduced. Using the *AC97_FC_Mode* configuration bit the interface can be configured in Full-Compliant mode (default): in this mode the value returned as response to a read operation will be properly masked in order to set 'reserved' bits to 0, as from specification. This operation is performed on all registers included the Standard or Extended Audio address space. If the Full-Compliant mode is not selected the full 16 bits data from the corresponding RAM register will be returned with no further manipulation.

If an odd-addressed register reading operation is performed the following scheme is adopted:

- Slot 0: report valid bit set to 1 for both slot 1 and slot 2
- Slot 1 (address): report the odd address
- Slot 2 (data): report all 0s

2.2 Writing AC`97 Registers

When a write operation into one of the available AC`97 registers is performed the entire 16 bits data word is written into the related RAM register (also *reserved* bits are passed through). Some bits of some register may have a corresponding *hardware register (Flip-Flop)*, used to control the internal status of the device: in this case the value of the FF is also updated every time a write to the related RAM register is performed. The status of these FF is reverted to their default values after a hardware reset or a software reset (writing to reg. 00h) request has been issued; as a consequence also the DSP will have to reset the RAM register contents.

Some register may have a different behaviour from the one depicted above. Here is a brief summary of those registers.

- **Regs. 7Ch and 7Eh:**
These are the Vendor ID1 and ID2 registers. Any write request to one of these will be ignored.
- **Regs. 28h:**
The '*Extended Audio ID Register*' is read only. Therefore any write request will be ignored.
- **Regs. 26h:**
When a write request is issued the actual data written into the RAM register is 'xxxxxxxxxxx1110', where 'x' stands for the incoming data.
- **Regs. 2Ah:**
When a write request is issued the actual data written into the RAM register is 'xxxxxx0111xxxxx', where 'x' stands for the incoming data.
- **Regs. 32h and 34h:**
Any write request into one of these *ADC sample rate register* will result in the value BB80h written into the corresponding RAM register.

3.0 I2S INPUT INTERFACE CONFIGURATION

In order to configure the I2S input interface the *Configuration Register B (CRB)* can be used. Using the 3 I2SI_Align_x bits one of 6 configuration mode can be selected. Following is a table describing each one of them.

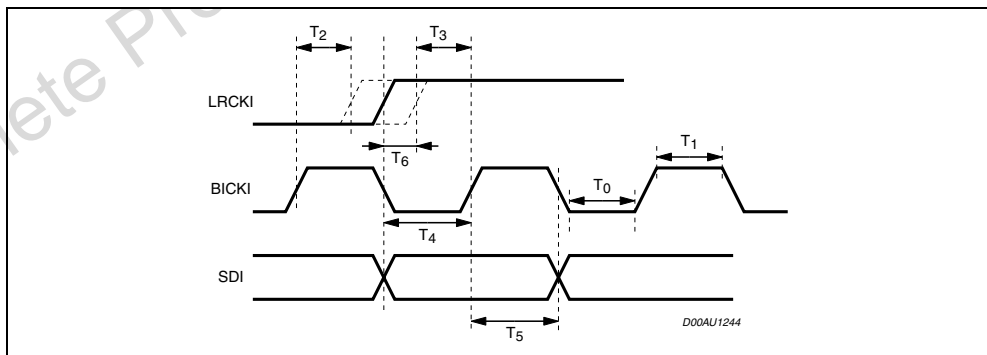
MODE	# of SLOTS	W. LENGHT	ALIGNMENT	DELAY SLOT	NOTES
0	32	24	Left	No	
1	32	24	Left	Yes	
2	32	16	Right	No	MSb first only
3	32	24	Right	No	
4	24	24	Left	No	Slave only
5	Not valid	Not valid	Not valid	Not valid	Reserved, do not use.
6	24	16	Right	No	MSb first only. Slave only
7	24	24	Right	No	Slave only

By default standard I2S input interface slave is provided (mode 1 in bits 0,1,2 of register CRB, I²S_BICK_Pol = 1 and I2SI_LRCK_Pol = 0 with some register)

3.1 Switching characteristics (10 pf load; Fsm=32 KHz to 96KHz):

BICKI frequency (master mode):	3.072MHz
(slave mode):	Max 6.4 MHz
BICKI pulse width low (T ₀) (slave mode):	min 40 ns.
BICKI pulse width high (T ₁) (slave mode):	min 40 ns.
BICKI active to LRCKI edge delay (T ₂):	min 20 ns.
BICKI active to LRCKI edge setup (T ₃):	min 20 ns.
SDI valid to BICKI active setup (T ₄):	min 20 ns.
BICKI active to SDI hold time (T ₅):	min 20 ns.
BICKI falling to LRCKI edge (T ₆) (master mode):	min 3 ns; max 9 ns.

Figure 2.



4.0 I2S OUTPUT INTERFACE CONFIGURATION

In order to configure the I2S output interface the *Configuration Register B (CRB)* can be used. Using the 3 I2SO_Align_x bits one of 6 configuration mode can be selected. Following is a table describing each one of them.

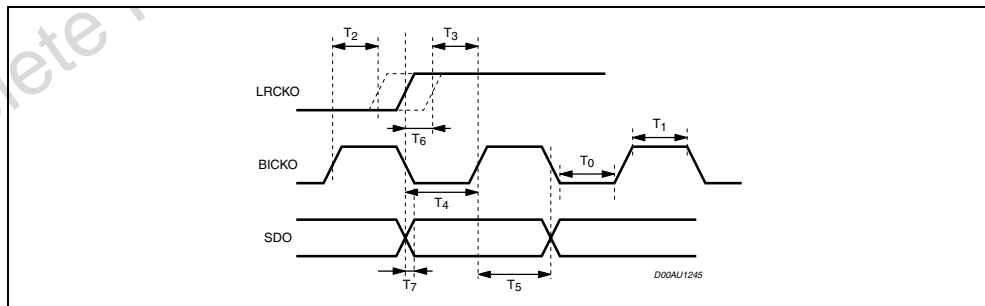
MODE	# of SLOTS	W. LENGHT	ALIGNMENT	DELAY SLOT	NOTES
0	32	24	Left	No	
1	32	24	Left	Yes	
2	32	16	Right	No	MSb first only
3	32	24	Right	No	
4	24	24	Left	No	Slave only
5	Not valid	Not valid	Not valid	Not valid	Reserved, do not use.
6	24	16	Right	No	MSb first only. Slave only
7	24	24	Right	No	Slave only

By default standard I2S output interface master is provided (mode 1 in bits 8,9,10 of register CRB, I2SO_BICK_Pol = 1 and I2SO_LRCK_Pol = 0 in the same register)

4.1 Switching characteristics (10 pf load; Fsm=48 KHz):

SCKO frequency (master mode):	64 Fsm
(slave mode):	64 Fsm
SCKO pulse width low (T_0) (slave mode):	min 40 ns.
SCKO pulse width high (T_1) (slave mode):	min 40 ns.
SCKO active to LRCKO edge delay (T_2):	min 20 ns.
SCKO active to LRCKO edge setup (T_3):	min 20 ns.
SDO valid to SCKO active setup (T_4):	min 20 ns.
SCKO active to SDO hold time (T_5):	min 20 ns.
SCKO falling to LRCKO edge (T_6) (master mode):	min 2 ns; max 8 ns.
SCKO falling to SDO edge (T_7) (master mode):	min 2 ns; max 8 ns.
(slave mode):	min 6 ns; max 17 ns

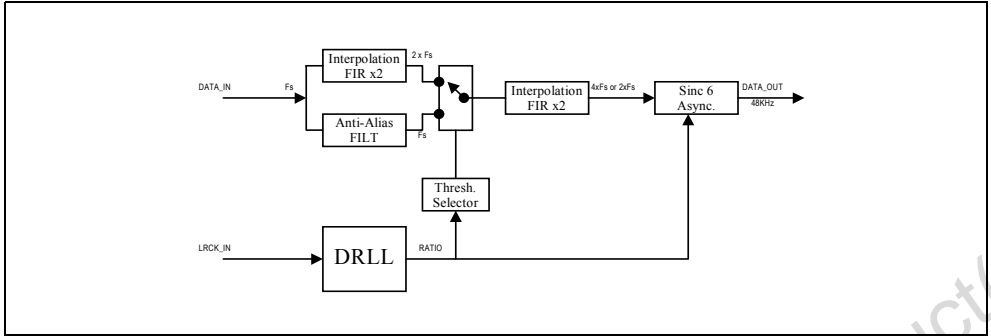
Figure 3.



5.0 SAMPLE RATE CONVERTER

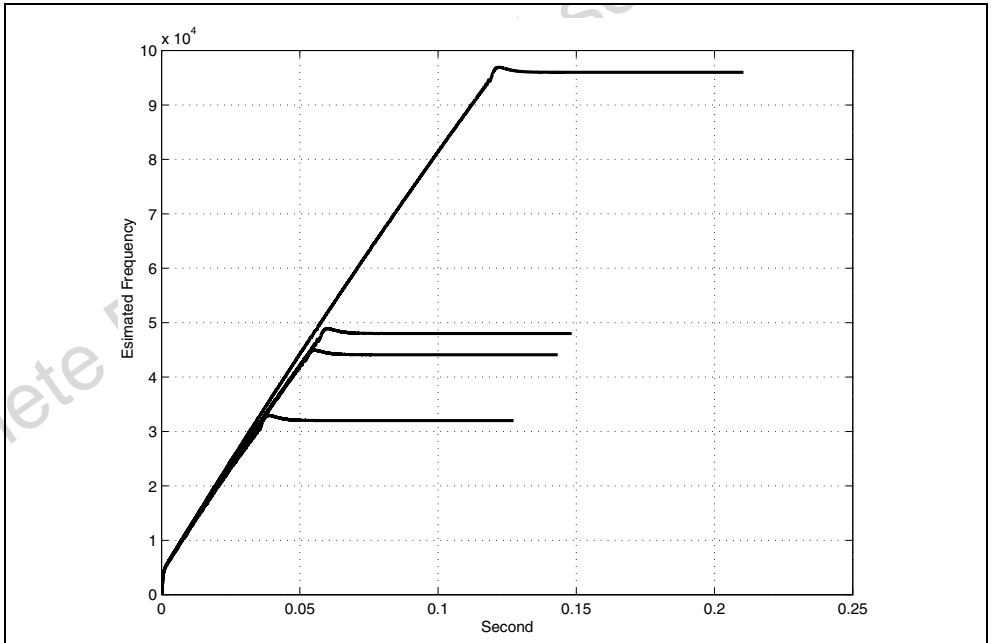
The sample rate converter resamples the selected input data source in order to send to the DSP an audio stream with a fixed frequency of 48 KHz. The following picture show the basic architecture.

Figure 4.



The selection between X2 Fir interpolation or direct antialiasing Filter on input data is made automatically by the threshold selector block. If the input sampling frequency (measured by DRLL) is high than the SRC threshold (see Table 2 section 12.9), the direct antialiasing filter is selected, otherwise if the input frequency is lower than the SRC threshold, the X2 FIR filter is added the data path. A 1kHz hysteresis is fixed around the SRC threshold nominal values of tab. 2 section 12.9, to prevent unstable oscillations. In figure 5 the DRLL lock phase is shown for 32kHz,44.1kHz, 48kHz and 96kHz input frequency. Note that only after this phase (including the flat part of the graph) the SRC performances are in spec.

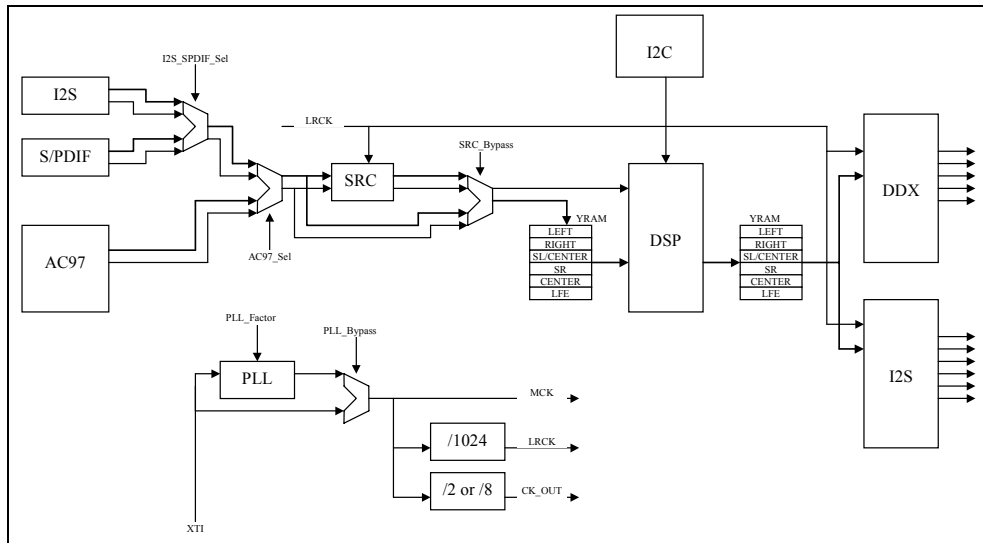
Figure 5. DRLL lock delay



6.0 DAP INPUT STAGE

The device provides 3 mutually exclusive input interfaces: I2S, S/PDIF and AC`97. Hereby is a small description of the characteristics for each of them and a table showing how to select it.

Figure 6.



6.1 Input from I²S

Using this input interface a maximum of 4 channels can be sent to the DSP. As detailed in the related paragraph this I/F can be configured both as master or slave. When in master the sampling frequency is fixed to 48 KHz and the SRC can be bypassed using the *SRC_Bypass* configuration bit (in CRA register). If slave operation is selected the full range between 32KHz and 96KHz is supported but the SRC must always be in the processing path (no bypass). In order to select this interface the AC97_MODE pin must be tied to GND and the I2S_SPDIF_Sel bit must be 0.

6.2 Input from S/PDIF

This interface is compliant with the AES/EBU IEC 958, S/PDIF and EIAJ CP-340/1201 professional and consumer standards. The full range from 32 KHz up to 96 KHz is supported but the SRC bypass option must be switched off. Using the *SPDIF_Mode* bit this interface can be configured as digital or analog input. If the analog mode is selected the line receiver can decode differential as well as single ended inputs. The receiver consists of a differential input *Schmitt Trigger* comparator with 50 mV of hysteresis, which prevents noisy signals from corrupting the data recovered. The minimum input differential voltage is 200 mV.

If the digital mode is selected only the single ended operation is supported; the input signal should be CMOS compliant.

In order to select this interface the AC97_MODE pin must be tied to GND and the I2S_SPDIF_Sel must be 1.

6.3 Input from AC`97

In order to select this interface the AC97_MODE pin must be tied to VDD (I2S_SPDIF_Sel bit 'is don't care).

The AC`97 interface can be configured either as primary or secondary device using the external configuration pin SA.

This interface support 4 sampling frequencies, according to the *Variable and Double Rate Audio Codec`97*

specification. The following table summarize the slot usage for each one the these frequencies:

Freq.	Slot 3	Slot 4	Slot 6	Slot 7	Slot 8	Slot 9	Slot 10	Slot 11	Slot 12
48	Left	Right	Center	Surr.L	Surr.R	LFE			
44.1	Left	Right		Surr.L	Surr.R				
88.2 *	Left	Right	Center				Left (n+1)	Right (n+1)	Center (n+1)
96	Left	Right	Center				Left (n+1)	Right (n+1)	Center (n+1)

* Slots 3, 4 and 6 are always requested. Slots 10, 11 and 12 are requested only when needed.

The following table summarize the different input possibilities:

Input from	Channels	Available Freq. (KHz)	Bypass	Notes
I2S (Master)	4	48	Yes	Bypass is user selectable
I2S (Slave)	4	32..96	No	
S/PDIF	2	32..96	No	
AC`97	6	48	Yes *	Left, Right, SL, SR, Center, LFE
AC`97	3	96	No	Left, Right, Center
AC`97	4	44.1 (VRA)	No	Left, Right, SL, SR
AC`97	3	88.2 (VRA)	No	Left, Right, Center

* In this configuration the BYPASS is always active, regardless SRC_Bypass bit in reg. 5Ah

7.0 PLL

In order to generate the internal 49.152 MHz clock a low-jitter PLL has been included in the device. It can be configured to work either with a multiplication factor of x8 or x2, in order to fit an external frequency reference of 6.144 MHz or, respectively, 24.576 MHz. This could be useful when the device is configured to work in AC`97 slave mode where the master clock is 24.576 MHz. To select the multiplication factor the *PLL_Factor* bit can be used.

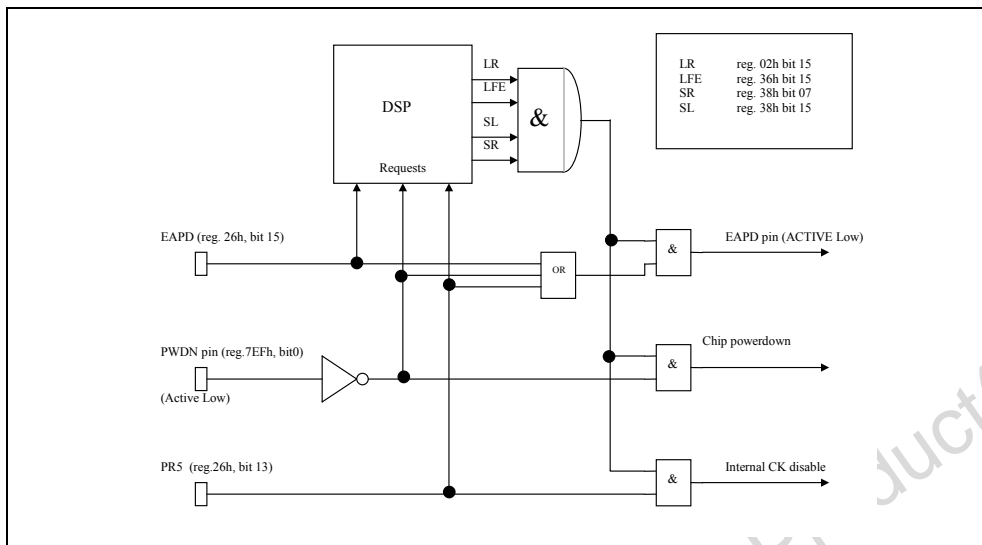
Using the *PLL_Bypass* bit the PLL section can be bypassed, allowing direct connection of the internal clock to the XTI pin. When this option is selected an external frequency of 49.152 MHz should be provided to the device. In this condition the PLL is automatically powered-down.

8.0 POWERDOWN MANAGEMENT

The powerdown capability and its logic behaviour is shown in *Figure 7 - Powerdown management* . Basically there are three powerdown requests which comes from the extern of the device and will cause a different powerdown condition:

- External PWDN pin – this signal will turn-off the device which, as a consequence, will enter the power-down mode (all the device clocks are stopped). The device will exit this state as soon as the PWDN pin is deasserted.
- PR5 bit (reg.26h, bit 13) – Setting this bit will cause a partial powerdown of the device: infact all the clocks will be suspended, except that used to keep the AC97 and I2C cells alive. In this way, using either of these input interfaces, it'll be possible to resume from this state simply resetting the PR5 bit.
- EAPD bit (reg.26h, bit 15) – The External Amplifier PowerDown bit controls the state of the related pin (EAPD) which, in turn, is used to switch off the external power chip.

Figure 7. Powerdown management



In order to avoid any possible pop-noise while switching between the various powerdown modes a particular masking technique has been adopted to drive the actual controlling signals: as shown in the above figure the 3 powerdown requests will inform the DSP using the related bits in specific registers. After that the DSP performs a software fade-out of the channels volume and, finally, activates the MUTE flags of the various channels. The actual controlling lines are the result of a logical AND operation between the relative request signals and the 4 channel MUTE bits (LR, LFE, SL and SR).

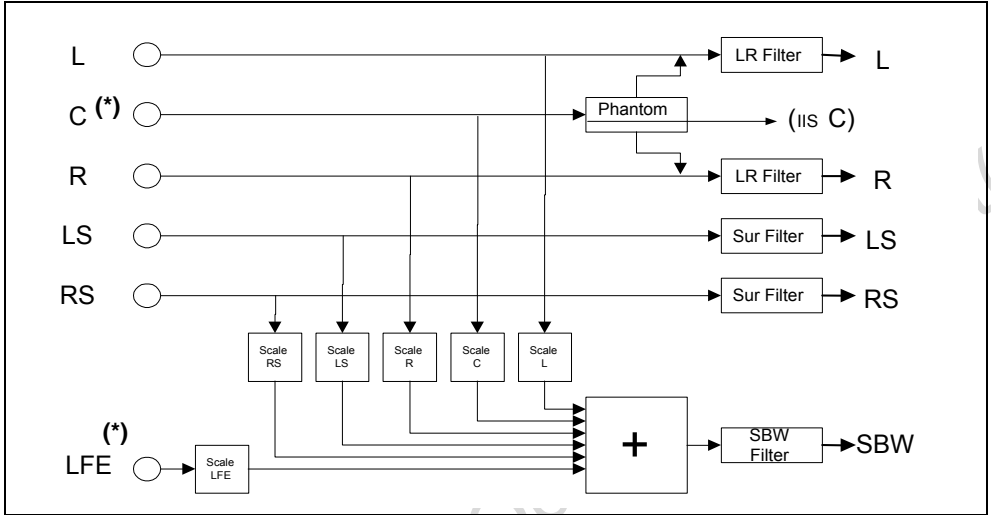
Moreover the external power chip will be turned off (via the EAPD pin) not only as a consequence of an EAPD request, but also as a consequence of a PR5 or PWDN requests: this solution will prevent any possible noise or glitch.

9.0 BASS MANAGEMENT AND EQ

The STA304A has the ability to redirect the sound to the SBW channel and to pass each channel through a 4-stage cascaded 2nd order IIR filter. With the combination of the DDX gain/compressor (CRA register bits 2-3) a dynamic EQ can be implemented. Beside that, a special Side-Firing sound can be achieved by enabling this feature available with the ready made filter topology on the surround channels.

9.1 Bass Redirection

Figure 8.



There is an option to redirect each input channel to the SBW output channel. The Scale factor of each channel should be set with values in the range of 0 (no redirection) to -1 (full redirection). About setting the scaling factors registers, see paragraph 10.

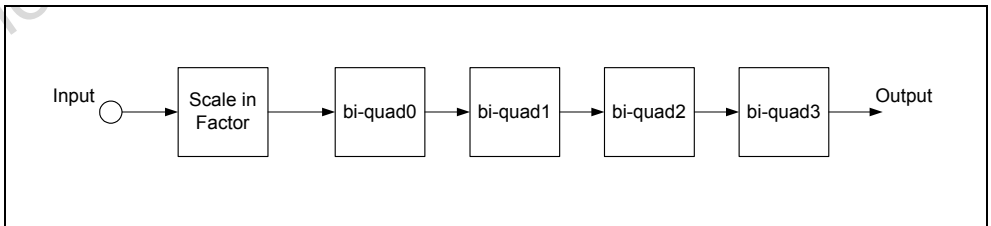
The redirection is taking place when the bit 0 of the Bass Management Register (add.72h) is set (see section 12.13).

Together with the static EQ option (following section), by setting appropriate filters, a full bass management solution is available.

(*) Note: C and LFE channels are available only with 6 channels AC97 input. In case of 4 channels I²S, only L, R, LS, RS are available

9.2 Static EQ

Figure 9.



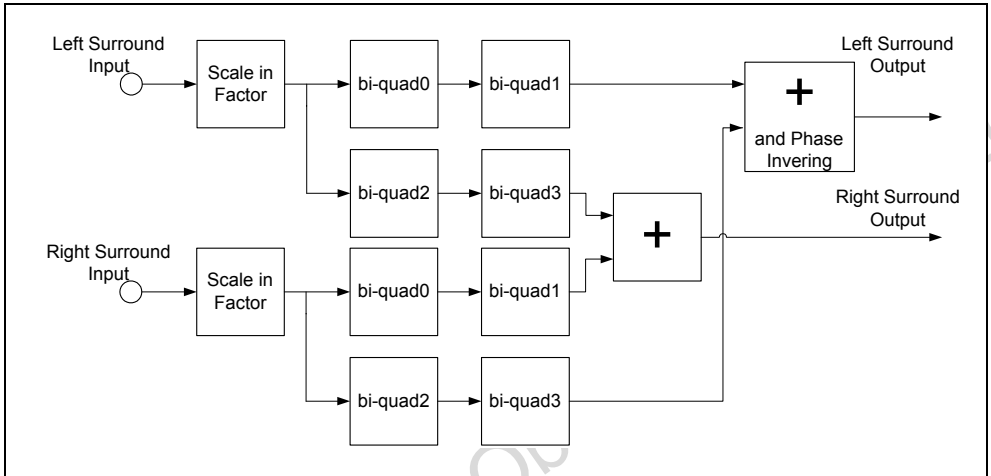
Each channel has a 4 stage cascaded 2nd order filter. The user can set each filter coefficients (see paragraph 10). The coefficient for the Left and Right channels are common, as well as the coefficients for the surrounds. There is also an input scaling factor for each channel which can be set with values from 0 to -1. The scaling factor should be set to an appropriate value that will prevent the filter going into saturation.

The Static EQ filters are activated by setting Static EQ and Side Firing register (add. 70h, see section 12.12).

9.3 Surround Side Firing

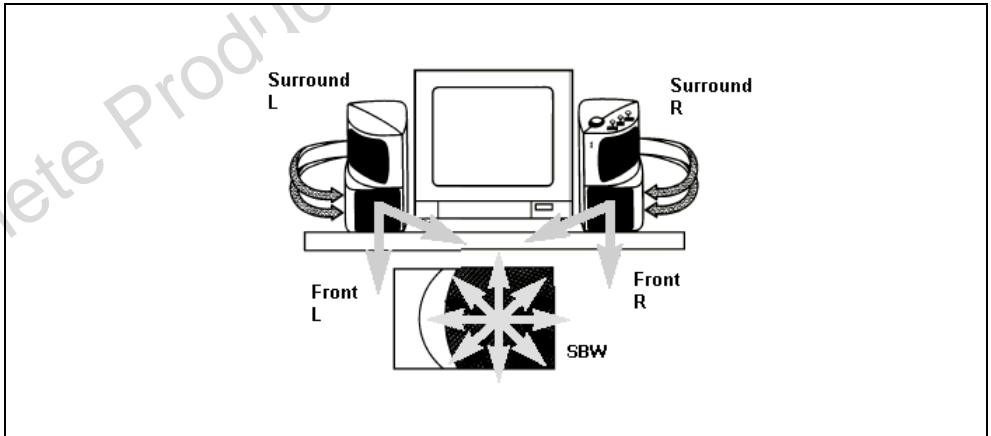
Instead of the normal filters described in the previous section above, a special topology is available for the surround channels:

Figure 10.



By designing appropriate filters special surround sound can be achieved for a system which its surround speakers are located next to the front speakers and are rotated to the sides (see picture). The Side firing topology is enabled by setting Static EQ and Side Firing register (add. 70h, see section 12.12).

Figure 11. Speaker System with Side-Firing positioning



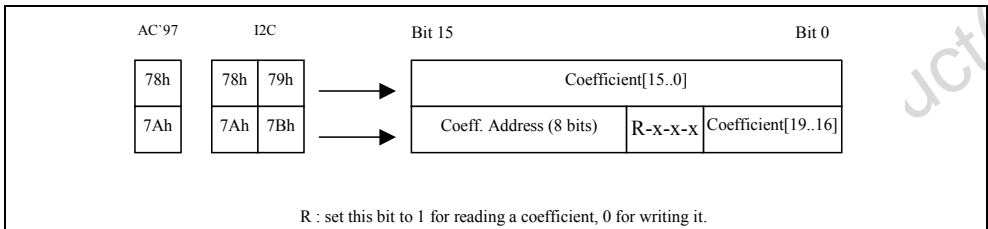
10.0 COEFFICIENT HANDLING

In order to implement the Static EQ filters and the Bass management, a RAM space for user coefficients has been included in this device: starting from address 240h (YRAM) there are 69 x 20 bit registers available for this purpose. In order to be able to read or write into these registers an indirected addressing approach must be followed by the application software. As showed in Figure 8 there are two AC'97 dedicated registers (4 x 8 bits registers from I2C point of view) to access the coefficient table. In register 78h (78h + 79h in I2C addressing) the 16 low bits of the coefficient are stored (by the user in case of a write operation, by the logic in case of a read operation); the higher 4 bits are stored in the lowest nibble of register 7Ah (7Bh in I2C addressing). The address of the coefficient on which the R/W operation must be performed is stored in the high byte of register 7Ah. The address is made adding the coefficient index to the base location 40h.

To select between Read or Write operation the 'R' bit in register 7Ah (7Bh in I2C addressing) must be properly setup. The actual read/write operation will start after the register 7Ah (7Bh in I2C addressing) has been written.

The following paragraphs will explain this in more details.

Figure 12. Coefficient registers usage



10.1 Reading a coefficient value

Depending on the bus used to read the coefficient the following steps must be followed:

- Reading from AC'97
 - write 8 bit INDEX 40h and R/W bit at AC'97 address 7Ah
 - read 16 lower data bits at AC'97 address 78h
 - read 4 higher data bits at AC'97 address 7Ah
- Reading from I²C
 - write 8 bit address at I2C address 7Ah coeff INDEX + 40h
 - write R/W bit at I²C address 7Bh
 - read 8 middle data bits at I²C address 78h
 - read 8 lower data bits at I²C address 79h
 - read 4 higher data bits at I²C address 7Bh

10.2 Writing a coefficient value

Depending on the bus used to write the coefficient the following steps must be followed:

- Writing from AC'97
 - write 16 lower bit data at AC'97 address 78h
 - write 8 bit INDEX + 40h and R/W bit and 4 higher data bits at AC'97 address 7Ah
- Writing from I2C
 - write 8 middle data bits at I2C address 78h
 - write 8 lower data bits at I2C address 79h
 - write 8 bit address at I2C address 7Ah coeff INDEX + 40h
 - write 4 higher data bits and R/W bit at I2C address 7Bh

10.3 Coefficient map

Index (decimal)	index (hex)		coefficient	default value
0	0h	20 LR filter coef.	LR00 (b2)	00000h
1	1h		LR01 (b0-1)	00000h
...
4	4h		LR04 (b1/2)	00000h
5	5h		LR10 (b2)	00000h
...
19	13h		LR34 (b1/2)	00000h
20	14h	20 Surrounds filter coef.	SUR00	00000h
...
39	27h		SUR34	00000h
40	28h	20 SBW filter coef.	SBW00 (b2)	00032h
41	29h		SBW01 (b0-1)	80032h
42	2Ah		SBW02 (a2)	7C7EAh
43	2bh		SBW03 (a1/2)	81C6Fh
44	2Ch		SBW04 (b1/2)	00032h
45	2dh		SBW10	00000h
...
59	3bh		SBW34	00000h
60	3Ch	3 scale in factors	-scale_in LR	80000h
61	3dh		-scale_in SUR	80000h
62	3Eh		-scale_in SBW	80000h
63	3Fh	6 SBW redirection factors	-scale_L→SBW	C0000h
64	40h		-scale_R→SBW	C0000h
65	41h		-scale_LS→SBW	C0000h
66	42h		-scale_RS→SBW	C0000h
67	43h		-scale_C→SBW	C0000h
68	44h		-scale_LFE→SBW	80000h

Filter coefficients:

CHx0 = b2

CHx1 = (b0)-1

CHx2 = a2

CHx3 = (a1)/2

CHx4 = (b1)/2

where CH stands for LR,SUR or SBW and x stands for the filter number (0..3).

$$\begin{aligned} \text{The filter equation is } Y_n &= X_n + ((b_0)-1) * X_n + 2 * ((b_1)/2) * X_{n-1} + b_2 * X_{n-2} - 2 * ((a_1)/2) * Y_{n-1} - a_2 * Y_{n-2} = \\ &= b_0 * X_n + b_1 * X_{n-1} + b_2 * X_{n-2} - a_1 * Y_{n-1} - a_2 * Y_{n-2} \end{aligned}$$

The coefficient registers are 20 bits wide and should be in the range [-1..1) (80000h to 7ffffh).

Scaling factor registers:

For the filters $X_n = (-\text{scale_in}) * CH_n$, where CH_n is the value before scaling and X_n is the input to the filter.

For the SBW redirection $SBW_n = -S (-\text{scale_CH}) * CH_n$

The scaling factor registers are 20 bits wide and should be in the range [-1..0] (80000h to 00000h).

SBW redirection: -1 for maximum redirection and 0 for no redirection.

Filter scaling: -1 for maximum input and 0 for no input to filter.

11.0 I²C BUS SPECIFICATION

The STA304A supports the I²C protocol. This protocol defines any device that sends data on to the bus as a transmitter and any device that reads the data as a receiver. The device that controls the data transfer is known as the master and the others as the slave. The master always starts the transfer and provides the serial clock for synchronisation. The STA304A is always a slave device in all its communications.

16bit registers are addressed as two 8 bit registers. The high byte has even address, while the low byte has odd address. For example, reading from register 02 (16bit) means read registers 02 (HIGH BYTE) and 03 (LOW BYTE) from I²C.

11.1 COMMUNICATION PROTOCOL

11.1.1 Data transition or change

Data changes on the SDA line must only occur when the SCL clock is low. SDA transition while the clock is high are used to identify START or STOP condition.

11.1.2 Start condition

START is identified by a high to low transition of the data bus SDA signal while the clock signal SCL is stable in the high state. A START condition must precede any command for data transfer.

11.1.3 Stop condition

STOP is identified by low to high transition of the data bus SDA signal while the clock signal SCL is stable in the high state. A STOP condition terminates communications between STA304A and the bus master.

11.1.4 Acknowledge bit

An acknowledge bit is used to indicate a successful data transfer. The bus transmitter, either master or slave, releases the SDA bus after sending 8 bit of data.

During the 9th clock pulse the receiver pulls the SDA bus low to acknowledge the receipt of 8 bits of data.

11.1.5 Data input

During the data input the STA304A samples the SDA signal on the rising edge of the clock SCL.

For correct device operation the SDA signal has to be stable during the rising edge of the clock and the data can change only when the SCL line is low.

11.2 DEVICE ADDRESSING

To start communication between the master and the STA304A, the master must initiate with a start condition. Following this, the master sends onto the SDA line 8 bits (MSB first) corresponding to the device select address

and read or write mode.

The 7 most significant bits are the device address identifier, corresponding to the I²C bus definition. In STA304A the I²C interface has two device address depending on SA pin configuration 0011110 when SA = 0, and 0011111 when SA = 1.

The 8th bit (LSB) is the read or write operation RW, this bit is set to 1 in read mode and 0 for write mode. After a START condition the STA304A identifies on the bus the device address and, if a match is found, it acknowledges the identification on the SDA bus during the 9th bit time. The following byte after the device identification byte is the internal space address.

11.3 WRITE OPERATION

Following a START condition the master sends a device select code with the RW bit set to 0. The STA304A acknowledges this and waits for the byte of internal address. After receiving the internal bytes address the STA304A again responds with an acknowledge.

11.3.1 Byte write

In the byte write mode the master sends one data byte, this is acknowledged by STA304A. The master then terminates the transfer by generating a STOP condition.

11.3.2 Multibyte write

The multibyte write mode can start from any internal address. The transfer is terminated by the master generating a STOP condition.

Figure 13. Write Mode Sequence

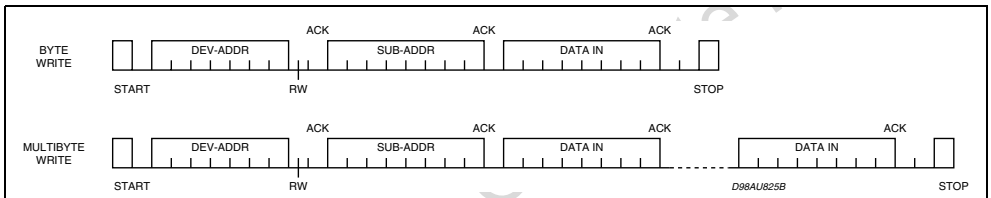
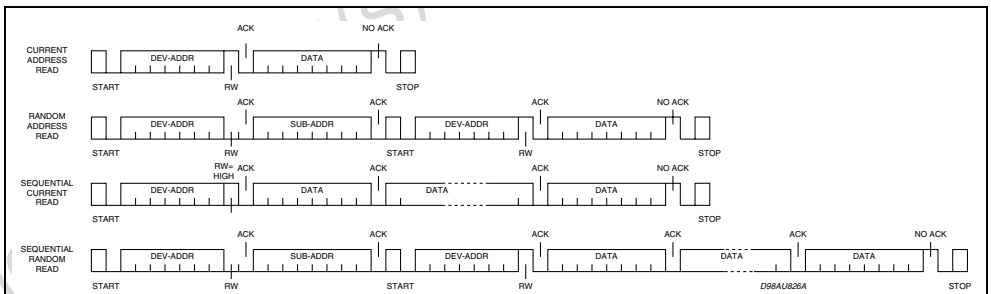


Figure 14. Read Mode Sequence



12.0 REGISTER SUMMARY

12.1 Reset Register (add. 00h)

D15	D14	D13	D12	D11	D10	D9	D8	D7	D6	D5	D4	D3	D2	D1	D0
0	0	0	0	0	0	0	0	1	1	1	0	0	1	0	0

Writing any value to this register performs a register reset, which causes all registers to revert to their default values. Reading this register returns 00E4h as it is the ID code of the part and its 3D Stereo Enhancement type (See AC'97 revision 2.1 specification, section 6.3.1).

12.2 LR Volume Register (add. 02h)

D15	D14	D13	D12	D11	D10	D9	D8	D7	D6	D5	D4	D3	D2	D1	D0
Mute	ML6	ML5	ML4	ML3	ML2	ML1	ML0	X	MR6	MR5	MR4	MR3	MR2	MR1	MR0

This register manage the stereo (both right and left channels) output signal volumes. The MSB of the register is the mute bit. When this bit is set to 1 the level for that channel is set at $-\infty$ dB. ML6 through ML0 is for the left channel level, MR6 through MR0 is for the right channel.

There are two options: in 'Full Compliance' operating mode (bit 0 in the CRA register, address 5Ah, is set to '0') only 6 bits are active (Mx0 to Mx5) and each step corresponds to 1.5 dB. In 'Proprietary' mode (bit 0 in the CRA register is set to '1') Mx0 to Mx6 can have the values between 0h to 68h (110 1000) and each step corresponds to 1dB. Greater values are undefined.

The default value is 8000h (1000 0000 0000 0000), which corresponds to 0 dB attenuation with mute on.

Mute	Mx6...Mx0	Function
0	x00 0000	0 dB Attenuation
0	x01 1111	46.5dB Attenuation
0	x11 1111	94.5dB Attenuation
1	xxx xxxx	∞ dB Attenuation

'Full Compliance' Mode

Mute	Mx6...Mx0	Function
0	000 0000	0 dB Attenuation
0	001 1111	31dB Attenuation
0	011 1111	63dB Attenuation

0	110 0001	97dB Attenuation
0	110 0010	99dB Attenuation
0	110 0011	100dB Attenuation
0	110 0100	102dB Attenuation
0	110 0101	104dB Attenuation
0	110 0110	107dB Attenuation
0	110 0111	111dB Attenuation
0	110 1000	∞ dB Attenuation
1	xxx xxxx	∞ dB Attenuation

'Proprietary' Mode

12.3 Tone Control Register (add. 08h)

D15	D14	D13	D12	D11	D10	D9	D8	D7	D6	D5	D4	D3	D2	D1	D0
X	X	X	X	BA3	BA2	BA1	BA0	X	X	X	X	TR3	TR2	TR1	TR0

This register support tone controls (bass and treble). The step size is 2dB. Writing a 0000h corresponds to +12dB of gain. Center frequencies (from which gains are measured) are 160Hz for Bass and 5,000Hz for Treble. The default value is 0F0Fh, which corresponds to bypass of bass or treble gain. The tone feature is implemented only on the L and R front channel.

TR3... TR0 or BA3... BA0	Function
0000	+12 dB of gain
0001	+10 dB of gain
0010	+8 dB of gain
0011	+6 dB of gain
0100	+4 dB of gain
0101	+2 dB of gain
0110	+1 dB of gain
0111	0 dB of gain
1000	-1 dB of gain
1001	-2 dB of gain
1010	-4 dB of gain
1011	-6 dB of gain
1100	-8 dB of gain
1101	-10 dB of gain
1110	-12 dB of gain
1111	Bypass

12.4 Powerdown Ctrl/Staus Register (PCSR) : add. 26h

D15	D14	D13	D12	D11	D10	D9	D8	D7	D6	D5	D4	D3	D2	D1	D0
EAPD		PR5	PR4									1	1	1	0

BIT	R/W	RST	NAME	DESCRIPTION
12	R/W	0	PR4	Setting this bit to 1 the BIT_CLK and the SDATA_IN signal will be fixed to the digital low level. To resume the normal operation either an hardware reset or a <i>softReset</i> must be performed.
13	R/W	0	PR5	In order to set the device in a powerdown-like condition this bit must be set to 1. This will stop the device internal clock: only the PLL and AC'97, I ² C clocks will still be running. DSP should start power-down sequence in order to accomplish this request.
15	R/W	1	EAPD	The value of this bit should be checked by the DSP in order to recognize an external power amplifier power-down request. As a consequence the DSP should start the power-down sequence (volume fade-out)

NOTE: Bits D0..D3 will be masked to the showed value before writing into the RAM registers, other bits will simply pass through.

12.5 Extended Audio ID Register (add. 28h)

D15	D14	D13	D12	D11	D10	D9	D8	D7	D6	D5	D4	D3	D2	D1	D0
0	ID0	0	0	0	0	0	1	1	1	0	0	0	0	1	1

The Extended Audio ID is a read only register that identifies which extended audio features are supported (See AC'97 revision 2.1 specification, section A.2.1). The extended features supported are Variable Rate PCM Audio (VRA), Double- Rate PCM Audio (DRA), PCM Center (CDAC), PCM Surround (SDAC) and PCM LFE (LDAC). Codec_ID0 report the status of SA pin. Codec_ID1 always report 0. Hence, the configurations are primary (00) if SA pin is 0 or Secondary (01) if SA pin is 1.

12.6 Extended Audio Status and Control Register (add. 2Ah)

D15	D14	D13	D12	D11	D10	D9	D8	D7	D6	D5	D4	D3	D2	D1	D0
						0	1	1	1					DRA	VRA

- VRA= 1 enables Variable Rate Audio mode (sample rate control registers and SLOTREQ signaling)
- DRA= 1 enables Double- Rate Audio mode

Bits D9- D6 are read only status of the extended audio feature readiness. When a write request is issued the actual data written into the RAM register is 'xxxxxx0111xxxxxx'.

For more details refer to AC'97 rev 2.1, section A.2.2

12.7 Audio Sample Rate Control Registers (add. 2Ch - 34h)

D15	D14	D13	D12	D11	D10	D9	D8	D7	D6	D5	D4	D3	D2	D1	D0
SR15	SR14	SR13	SR12	SR11	SR10	SR9	SR8	SR7	SR6	SR5	SR4	SR3	SR2	SR1	SR0

In VRA mode, two frequencies are supported 48000(BB80h) Hz and 44100(AC44h) Hz. If one of these value written to the 2Ch register, that value will be echoed back when read, otherwise the closest (higher in case of a tie) sample rate supported is returned. The content of 2Eh and 30h registers is copied from the 2Ch register.

If the Double Rate Audio (DRA) mode is active, the sample rate programmed will be multiplied by 2x. For example: When running at 88.2 kHz, the DRA bit will be programmed to 1, and the sample rate programmed would be 44.100.

The default value after cold or warm register reset for these registers (BB80h) is 48 kHz.

The content of the ADC sample rate registers (32h and 34h) stays always BB80h.

12.8.6-Channel Volume Control Register (add. 36h - 38h)

D15	D14	D13	D12	D11	D10	D9	D8	D7	D6	D5	D4	D3	D2	D1	D0
Mute	LFE6	LFE5	LFE4	LFE3	LFE2	LFE1	LFE0	Mute	CNT6	CNT5	CNT4	CNT3	CNT2	CNT1	CNT0
Mute	LSR6	LSR5	LSR4	LSR3	LSR2	LSR1	LSR0	Mute	RSR6	RSR5	RSR4	RSR3	RSR2	RSR1	RSR0

These read/write registers control the output volume of the optional four PCM channels, and values written to the fields behave the same as the Play Master Volume Register (Index 02h), which offers attenuation but no gain. There is an independent mute (1= on) for each channel.

The default value after reset for this registers (8080h) corresponds to 0 dB attenuation with mute on.

12.9 Configuration Register A (CRA) : add. 5Ah

D15	D14	D13	D12	D11	D10	D9	D8	D7	D6	D5	D4	D3	D2	D1	D0
SRC_By pass	DRLL_d bg	SRC_TH R_1	SRC_TH R_0	SPDIF_ Mode	I2S_SP DIF_Sel	MCKOU T_Mode	PLL_By pass	PLL_Fac tor	DDX_P wrMode	DDX_ZD _Enable	DDX_Rst	DDX_Ga in_1	DDX_Ga in_0	I2S_DBU FF_Mode	AC97_F C_Mode

BIT	R/W	RST	NAME	DESCRIPTION
0	R/W	0	AC97_FC_Mode	AC'97 Full Compliant Mode (0 to enable). When in FC mode any read of registers will return only valid bits: bits marked as 'reserved' by AC'97 v2.0 specification will return 0, regardless of the RAM contents.
1	R/W	0	I2SI_DBUFF_Mode	Enable DoubleBuffer mode for the I2S input interface (write1 to enable this option) . This is strongly required if this interface is operated in slave mode at 48KHz, synchronous with the input source. In this condition also Sample Rate Converter Bypass is suggested to improve performances
2	R/W	0	DDX_Gain_0	DDX Gain setting (LSb/MSb). These two bits, concatenated, will set the DDX stage gain and the compression as shown in Table 1. (These setting is active only if bit 15 reg 62h is 0)
3	R/W	0	DDX_Gain_1	
4	R/W	1	DDX_Rst	DDX Reset (active high)
5	R/W	1	DDX_ZD_Enable	DDX Zero Detect feature. If this bit is 1 the feature is enabled.
6	R/W	1	DDX_PwrMode	DDX Power Mode (TRUTH Table). Using this bit it is possible to select the truth table used by the DDX digital output stage (1 = ST standard)
7	R/W	0	PLL_Factor	PLL Factor (x2 or x8). It should be used according to the input frequency provided to the device: 1 (x8) when 6.144 MHz are provided, 0 (x2) when 24.576 MHz.
8	R/W	1	PLL_Bypass	PLL Bypass. Setting this bit to 0 will bypass the PLL; internal master clock will be directly connected to XT1 pin.
9	R/W	0	MCKOUT_Mode	MckOut mode; 12.288 MHz (1) or 24.576 MHz (0).
10	R/W	0	I2S_SPDIF_Sel	I2S - S/PDIF Selector. Select the input source: set to 0 for I2S input, 1 for S/PDIF input.
11	R/W	0	SPDIF_Mode	S/PDIF Mode. Set to 0 to select Analog mode, 1 to select Digital mode.
12	R/W	1	SRC_THR_0	Sample Rate threshold (LSb/MSb). These bits are used to select the threshold frequency enabling the SRC anti-alias filter. Table 2 shows the threshold selections.
13	R/W	0	SRC_THR_1	
14	R/W	0	DRLL_dbg	DRLL Debug Mode. When this mode is activated (1) the DRLL digital ratio is latched on the output channels instead of the audio data.
15	R/W	0	SRC_Bypass	SRC Bypass. Setting this bit to 1 the SRC block can be bypassed and the selected input I/F is directly connected to the DSP.

NOTE: In TEST_MODE -> PLL_Bypass = 0.

Table 1. SRC Threshold

SRC_THR_0	SRC_THR_1	Threshold Frequency
0	0	INACTIVE
0	1	58.875 to 61.125kHz
1	0	78.973 to 81.000kHz
1	1	always active

Table 2. DDX gain

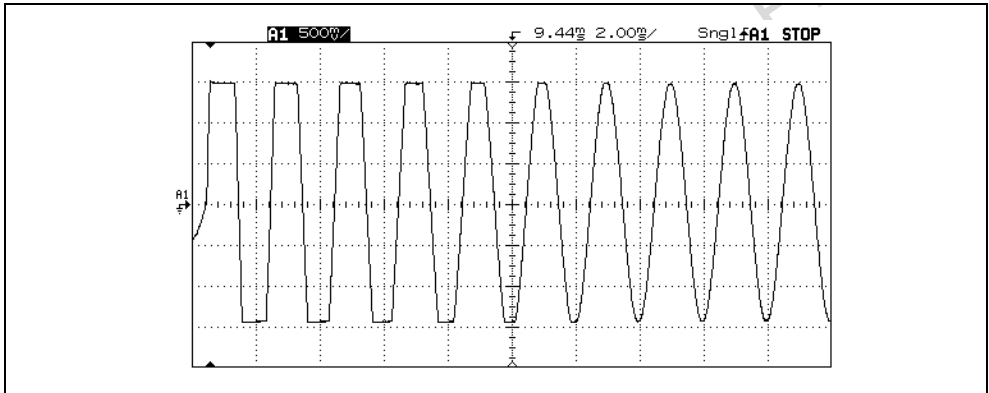
DDX_GAIN_0	DDX_GAIN_1	DDXGain	DDX Compression
0	0	1x	NO
0	1	2x	NO
1	0	2x	YES
1	1	3x	YES

DDX Gain Compression

Since a full-scale output of the GC/Vol block is mapped to full output modulation, any signal exceeding 0 dBFS at the output of the GC/Vol block will be clipped. The purpose of the compression algorithm is to reduce the gain of the system when 0 dBFS has been exceeded such that clipping does not take place, thus performing an output limiting function. This would yield a constant Vout once the gained input exceeds 0 dBFS.

With DDX_GAIN_0 = 1, the output of the GC/Vol block is compared to a threshold set just below 0 dBFS. When the output of GC/Vol exceeds this threshold the gain of system is reduced following a set time-constant and gain-reduction rate. This reduction in gain is stored as a variable. If subsequently the output of GC/Vol remains below a separate lower threshold for a set amount of time the gain is then increased following another time-constant and gain rate. Thus, seven different constants determine the attack, release, and limiting characteristics of the compression algorithm. These constants have been tuned to sound as musical as possible when the dynamic range of a recording is being reduced due to 0 dBFS being exceeded.

Figure 15. Compression response to 500 Hz sine at 0 dBFS with gain of +10 dB



12.10 Configuration Register B (CRB) : add. 5Ch

D15	D14	D13	D12	D11	D10	D9	D8	D7	D6	D5	D4	D3	D2	D1	D0
I2SO_M SbLsb	I2SO_LR CK_Master	I2SO_LR CK_Pol	I2SO_BC K_Master	I2SO_BI CK_Pol	I2SO_Ali gn_2	I2SO_Ali gn_1	I2SO_Ali gn_0	I2SI_MS bLSb	I2SI_LR CK_Master	I2SI_LR CK_Pol	I2SI_BC K_Master	I2SI_BIC K_Pol	I2SI_Ali gn_2	I2SI_Ali gn_1	I2SI_Ali gn_0

BIT	R/W	RST	NAME	DESCRIPTION
0	R/W	1	I2SI_Align_0	I2S (Input) Alignment. Using these bits the word alignment can be adjusted with respect to the LRCK edges. Please refer to the related paragraph for more details. The default value is mode 1.
1	R/W	0	I2SI_Align_1	
2	R/W	0	I2SI_Align_2	
3	R/W	1	I2SI_BICK_Pol	I2S (Input) BICK Polarity. This bit should be configured according to the used serial protocol. In order to sample incoming data on the rising edge (data changes on the falling edge) this bit should be set to 1. Set to 0 to reverse the sampling edge.
4	R/W	0	I2SI_BCK_Master	I2S (Input) Master/Slave Selection. The I2S input interface can be configured as both master or slave: if the master mode is selected (1) the BICK line will be an output (64 x 48KHz fixed). Otherwise (0) slave mode is selected and this line is an input.
5	R/W	0	I2SI_LRCK_Pol	I2S (Input) LRCK Polarity. Set to 0 to receive LEFT samples when LRCK is low, 1 otherwise.
6	R/W	0	I2SI_LRCK_Master	I2S (Input) Master/Slave Selection. The I2S input interface can be configured as both master or slave: if the master mode is selected (1) the LRCK line will be an output (48KHz fixed). Otherwise (0) slave mode is selected and this line is an input (continuous frequency between 32KHz and 96KHz).
7	R/W	1	I2SI_MSbLSb	I2S (Input) MSb/LSb Selection. Use this bit to select how the sample word is received by the I2S input interface: set to 0 to configure as LSb first, 1 MSb first.
8	R/W	1	I2SO_Align_0	I2S (Output) Alignem. Using these bits the word alignment can be adjusted with respect to the LRCK edges. Please refer to the related paragraph for more details. The default value is mode 1.
9	R/W	0	I2SO_Align_1	
10	R/W	0	I2SO_Align_2	
11	R/W	1	I2SO_BICK_Pol	I2S (Output) BICK Polarity. This bit should be configured according to the used serial protocol. In order to sample outgoing data on the rising edge (data changes on the falling edge) this bit should be set to 1. Set to 0 to reverse the sampling edge.
12	R/W	1	I2SO_BCK_Master	I2S (Output) Master/Slave Selection. The I2S output interface can be configured as both master or slave: if the master mode is selected (1) the BICK line will be an output (64 x 48KHz fixed). Otherwise (0) slave mode is selected and this line is an input.
13	R/W	0	I2SO_LRCK_Pol	I2S (Output) LRCK Polarity. Set to 0 to transmit LEFT samples when LRCK is low, 1 otherwise.
14	R/W	1	I2SO_LRCK_Master	I2S (Output) Master/Slave Selection. The I2S output interface can be configured as both master or slave: if the master mode is selected (1) the LRCK line will be an output. Otherwise (0) slave mode is selected and this line is an input. In any case the frequency is fixed at 48 kHz
15	R/W	1	I2SO_MSbLSb	I2S (Output)) MSb/LSb Selection. Use this bit to select how the sample word is transmitted by the I2S output interface: set to 0 to configure as LSb first, 1 MSb first.

NOTE: Power-on default values will configure serial input interface as I2S Slave and the output interface as I2S Master.

12.11 Phantom Center Register (add. 60h)

D15	D14	D13	D12	D11	D10	D9	D8	D7	D6	D5	D4	D3	D2	D1	D0
															Phantom

Setting bit 0 enables the phantom center channel feature. When this feature is on, the content of the center channel is split and added to the L and R channels.

12.12 DDX Gain Register (add. 62h)

D15	D14	D13	D12	D11	D10	D9	D8	D7	D6	D5	D4	D3	D2	D1	D0
bypass	GCEN	Vol ₄	Vol ₃	Vol ₂	Vol ₁	Vol ₀	X	X	X	X	X	X	X	X	X

bypass: 0 means that the DDX gain depends from CRA bits 2 and 3
 1 the DDX gain depends from D13-D9 bits plus D14 bit (CRA bit 2 and 3 are ignored)
 GCEN: if D15 = 1 set (1) or remove (0) the ddx output compressor
 Vol₄...Vol₀

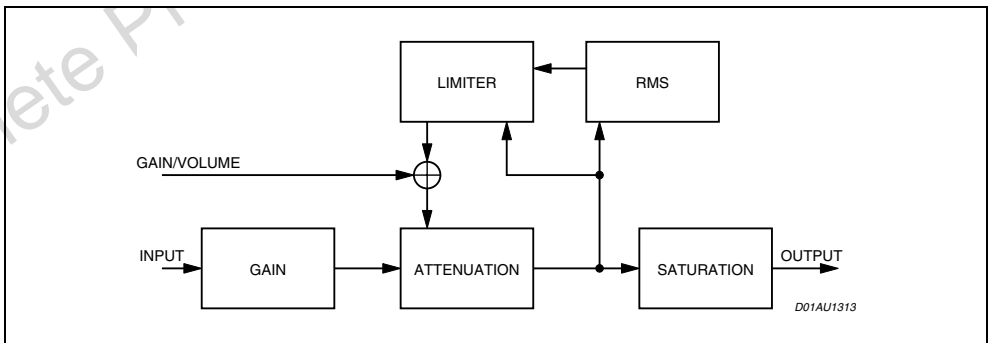
Vol	dB
00000	+23.25
00001	+22.5
00010	+21.75

01111	+12
10000	+11.25

11101	+1.50
11110	+0.75
11111	0

The STA304A provides continuous digital gain and limiting functionality. Digital gain is variable from 0dB to +23.25dB in 0.75dB steps based in the 62h register when the bit 15 is set. If the bit 15 is not set, the STA304A defaults to the original Gain/Limiting truth table based on DDX_Gain bits (12.9). The GCEN bit when set enables limiting to prevent clipping. This limiter uses a peak detect algorithm for attack and a RMS detect for release. The attack threshold is set at full DDX output power and will therefore reduce the gain when clipping is occurring. The release threshold is set slightly below this to allow for a minimum dynamic range.

Figure 16.



12.13 Static EQ and Side Firing Register (add. 70h)

D15	D14	D13	D12	D11	D10	D9	D8	D7	D6	D5	D4	D3	D2	D1	D0
														EQ1	EQ0

This register controls the activation of the Static EQ and the Side Firing surround sound.

EQ1	EQ0	
0	0	EQ off (default)
0	1	EQ enabled
1	x	Side Firing + EQ

For more information on setting EQ parameters, see Paragraph 9 .2

12.14 Bass Management Register (add. 72h)

D15	D14	D13	D12	D11	D10	D9	D8	D7	D6	D5	D4	D3	D2	D1	D0
															Bass Mng

Setting bit 0 activate the Bass Management. For more information on Bass Management, see Paragraph 9 .1. Default is 0h.

12.15 Bypass Register (add. 74h)

D15	D14	D13	D12	D11	D10	D9	D8	D7	D6	D5	D4	D3	D2	D1	D0
															Bypass

Setting bit 0 bypass the DSP block. All channels are bypassed and output equal to input, regardless of all other algorithm register settings (Volume, Tone, Phantom, EQ). Default is 0h

12.16 BIST and Status Register (BASR) : add. 76h

D15	D14	D13	D12	D11	D10	D9	D8	D7	D6	D5	D4	D3	D2	D1	D0
DSP_BIST_Start	DSP_BIST_Running	DSP_BIST_Stop	DSP_RAM	X	X	SRC_SPRAM_2	SRC_SPRAM_1	DDX_DPRAM	DDX_SPRAM_3	DDX_SPRAM_2	DDX_SPRAM_1	BIST_Stop	BIST_Start	SPDIF_Status	SRC_Status

BIT	I/F	DSP	RST	NAME	DESCRIPTION
0	R		1	SRC_Status	When 0, the digital pll in the SRC is LOCKED. When 1 the digital PLL is OUT of LOCK.
1	R		1	SPDIF_Status	When 1, the SPDIF interface is out of lock. When 0 the interface is locked to the SPDIF stream input.
2	W	R	0	BIST_Start	Reserved
3	R		0	BIST_Stop	Reserved
4	R		0	DDX_SPRAM_1	Reserved
5	R		0	DDX_SPRAM_2	Reserved
6	R		0	DDX_SPRAM_3	Reserved
7	R		0	DDX_DPRAM	Reserved
8	R		0	SRC_SPRAM_1	Reserved
9	R		0	SRC_SPRAM_2	Reserved
10	R/W		1	AC3_AMEN	Enable automuting if AC3 frame header found
11	R/W		0	CH1_AMEN	Enable automuting if no CH1_STATUS bit found
12	R	R	0	DSP_RAM	Reserved
13	R	R	0	DSP_BIST_Stop	Reserved
14	R	R	0	DSP_BIST_Running	Reserved
15	W	R	0	DSP_BIST_Start	Reserved

12.17 Coefficients Handling Registers (add. 78h – 7Ah)

D15	D14	D13	D12	D11	D10	D9	D8	D7	D6	D5	D4	D3	D2	D1	D0
C15	C14	C13	C12	C11	C10	C9	C8	C7	C6	C5	C4	C3	C2	C1	C0
AD7	AD6	AD5	AD4	AD3	AD2	AD1	AD0	R/W				C19	C18	C17	C16

See paragraph 10.

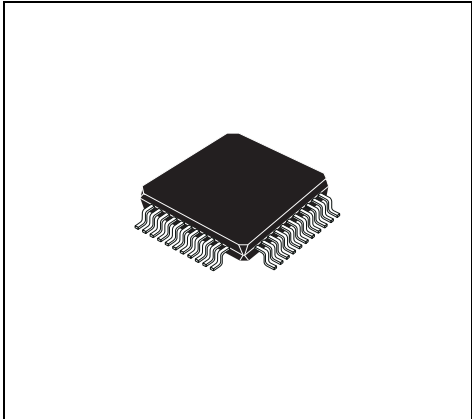
12.18 Vendor ID Registers (add. 7Ch – 7Eh)

D15	D14	D13	D12	D11	D10	D9	D8	D7	D6	D5	D4	D3	D2	D1	D0
0	1	0	0	0	0	0	1	0	1	0	0	1	1	0	0
0	1	0	0	1	0	1	0	REV7	REV6	REV5	REV4	REV3	REV2	REV1	REV0

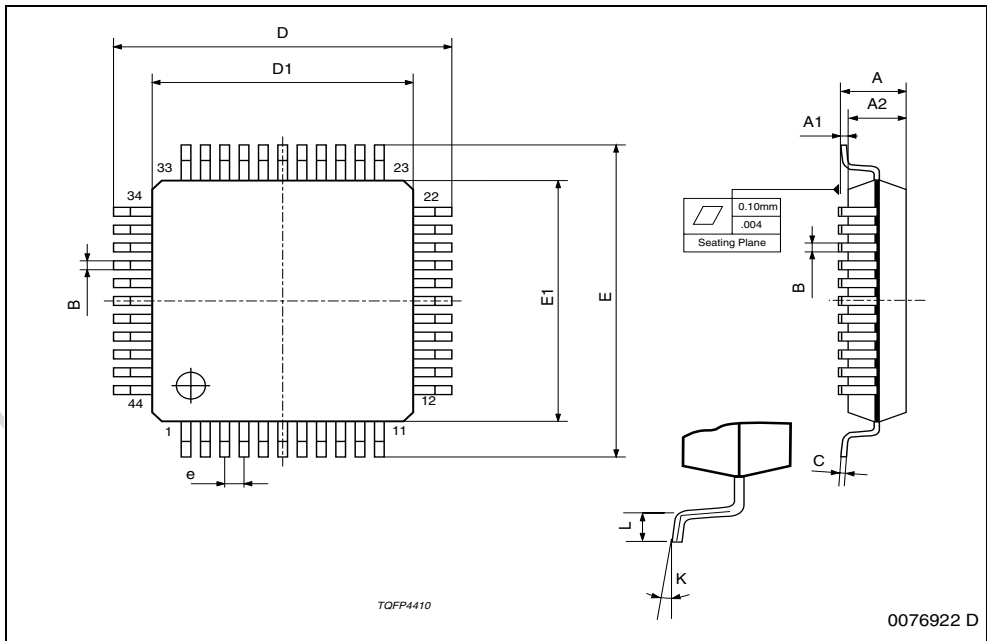
These registers are specific vendor identification for the STA304A. The Microsoft's Plug and Play Vendor ID code is "ALJ". The REV7..0 field is for the Vendor Revision number. These are read only registers, any write request to one of these will be ignored.

DIM.	mm			inch		
	MIN.	TYP.	MAX.	MIN.	TYP.	MAX.
A			1.60			0.063
A1	0.05		0.15	0.002		0.006
A2	1.35	1.40	1.45	0.053	0.055	0.057
B	0.30	0.37	0.45	0.012	0.015	0.018
C	0.09		0.20	0.004		0.008
D	11.80	12.00	12.20	0.464	0.472	0.480
D1	9.80	10.00	10.20	0.386	0.394	0.401
D3		8.00			0.315	
E	11.80	12.00	12.20	0.464	0.472	0.480
E1	9.80	10.00	10.20	0.386	0.394	0.401
E3		8.00			0.315	
e		0.80			0.031	
L	0.45	0.60	0.75	0.018	0.024	0.030
L1		1.00			0.039	
k	0° (min.), 3.5° (typ.), 7° (max.)					

OUTLINE AND MECHANICAL DATA



TQFP44 (10 x 10 x 1.4mm)



13.0 REVISION HISTORY

Date	Revision	Changes
Mar-2002	4	No recorded changes
26-Apr-2010	5	Major revision for revalidation process

Obsolete Product(s) - Obsolete Product(s)

Please Read Carefully:

Information in this document is provided solely in connection with ST products. STMicroelectronics NV and its subsidiaries ("ST") reserve the right to make changes, corrections, modifications or improvements, to this document, and the products and services described herein at any time, without notice.

All ST products are sold pursuant to ST's terms and conditions of sale.

Purchasers are solely responsible for the choice, selection and use of the ST products and services described herein, and ST assumes no liability whatsoever relating to the choice, selection or use of the ST products and services described herein.

No license, express or implied, by estoppel or otherwise, to any intellectual property rights is granted under this document. If any part of this document refers to any third party products or services it shall not be deemed a license grant by ST for the use of such third party products or services, or any intellectual property contained therein or considered as a warranty covering the use in any manner whatsoever of such third party products or services or any intellectual property contained therein.

UNLESS OTHERWISE SET FORTH IN ST'S TERMS AND CONDITIONS OF SALE ST DISCLAIMS ANY EXPRESS OR IMPLIED WARRANTY WITH RESPECT TO THE USE AND/OR SALE OF ST PRODUCTS INCLUDING WITHOUT LIMITATION IMPLIED WARRANTIES OF MERCHANTABILITY, FITNESS FOR A PARTICULAR PURPOSE (AND THEIR EQUIVALENTS UNDER THE LAWS OF ANY JURISDICTION), OR INFRINGEMENT OF ANY PATENT, COPYRIGHT OR OTHER INTELLECTUAL PROPERTY RIGHT.

UNLESS EXPRESSLY APPROVED IN WRITING BY AN AUTHORIZED ST REPRESENTATIVE, ST PRODUCTS ARE NOT RECOMMENDED, AUTHORIZED OR WARRANTED FOR USE IN MILITARY, AIR CRAFT, SPACE, LIFE SAVING, OR LIFE SUSTAINING APPLICATIONS, NOR IN PRODUCTS OR SYSTEMS WHERE FAILURE OR MALFUNCTION MAY RESULT IN PERSONAL INJURY, DEATH, OR SEVERE PROPERTY OR ENVIRONMENTAL DAMAGE. ST PRODUCTS WHICH ARE NOT SPECIFIED AS "AUTOMOTIVE GRADE" MAY ONLY BE USED IN AUTOMOTIVE APPLICATIONS AT USER'S OWN RISK.

Resale of ST products with provisions different from the statements and/or technical features set forth in this document shall immediately void any warranty granted by ST for the ST product or service described herein and shall not create or extend in any manner whatsoever, any liability of ST.

ST and the ST logo are trademarks or registered trademarks of ST in various countries.

Information in this document supersedes and replaces all information previously supplied.

The ST logo is a registered trademark of STMicroelectronics. All other names are the property of their respective owners.

© 2010 STMicroelectronics - All rights reserved

STMicroelectronics group of companies

Australia - Belgium - Brazil - Canada - China - Czech Republic - Finland - France - Germany - Hong Kong - India - Israel - Italy - Japan - Malaysia - Malta - Morocco - Philippines - Singapore - Spain - Sweden - Switzerland - United Kingdom - United States of America

www.st.com