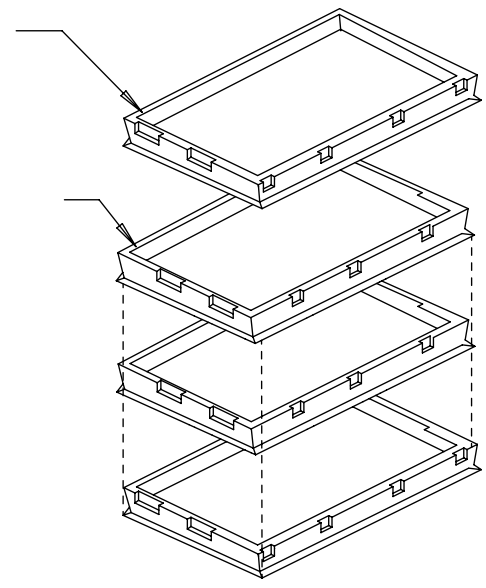


ASSY P/N	TRAY P/N	QTY/TRAY	TRAY/CARTON	QTY/CARTON
172801-0005	173327-0001	30	4+1 (EMPTY TRAY)	240
172801-0006	173328-0001	30	4+1 (EMPTY TRAY)	240
172832-0005	173329-0001	30	4+1 (EMPTY TRAY)	240
172801-0001	173060-0001	20	5+1 (EMPTY TRAY)	200
172832-0001	173059-0001	20	5+1 (EMPTY TRAY)	200
172801-0009	173376-0001	20	4+1 (EMPTY TRAY)	160
172832-0009	173377-0001	20	4+1 (EMPTY TRAY)	160

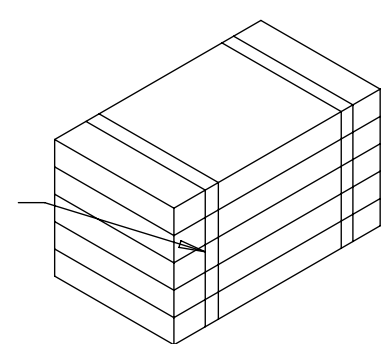
ASSY P/N	TRAY P/N	QTY/TRAY	TRAY/CARTON	QTY/CARTON
172801-0013	173552-0001	20	4+1(EMPTY TRAY)	160
172832-0013	173553-0001	20	4+1(EMPTY TRAY)	160
172801-0010	173685-0001	12	4+1(EMPTY TRAY)	96
172832-0010	172686-0005	12	4+1(EMPTY TRAY)	96
173363-0001	172468-0005	30	5+1(EMPTY TRAY)	300
173364-0001	172469-0005	30	5+1(EMPTY TRAY)	300
172801-0035	205168-0001	20	4+1(EMPTY TRAY)	160
172832-0034	205169-0001	20	4+1(EMPTY TRAY)	160
172801-0037	206381-0001	20	4+1(EMPTY TRAY)	160
172832-0036	206382-0001	20	4+1(EMPTY TRAY)	160

① EMPTY TRAY

TRAY P/N: SEE TABLE
TRAYS WITH
CONNECTOR
TO BE STACKED
IN SAME
DIRECTION



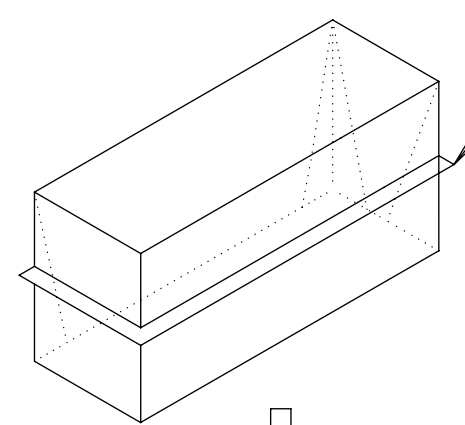
② TAPE BOTH ENDS



NOTES:

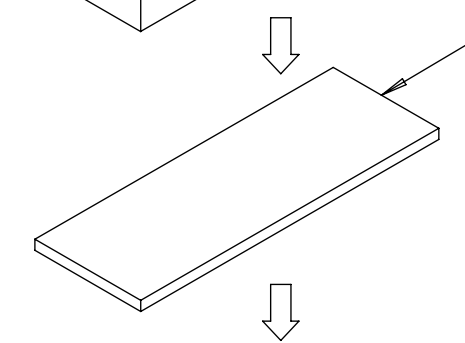
1. PARTS MUST BE PACKED AND ORIENTATED AS PER DETAIL SHOWN.
2. CLOSE CARTON WITH TAPE.

③ COVER BUBBLE PAPER
P/N: 88596-0837

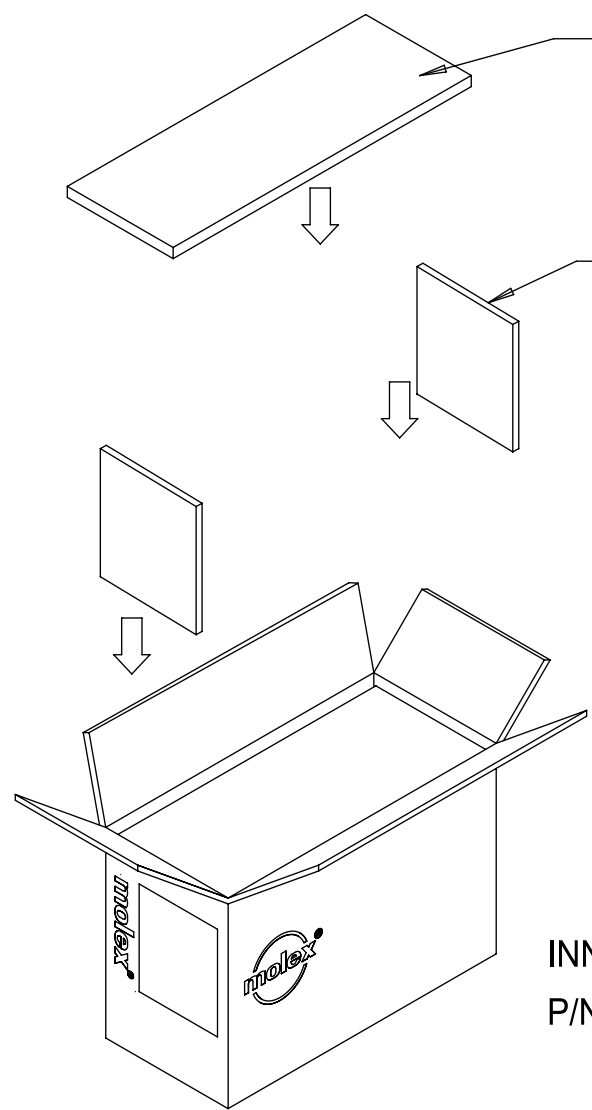


FOAM (BASE)
P/N:885961235

④



⑤

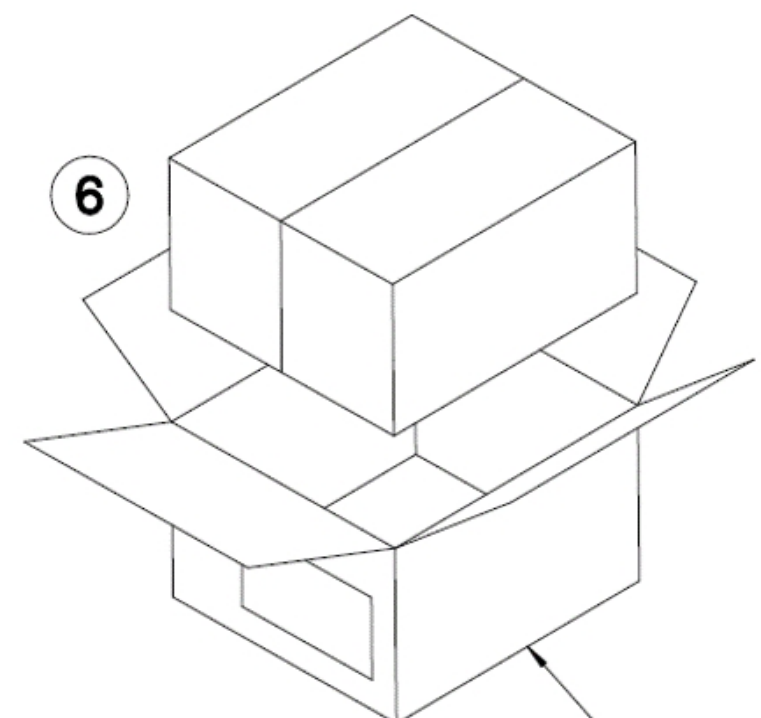


FOAM (TOP)
P/N:885961235

2 X FOAM (SHORT SIDE)
P/N:885961237

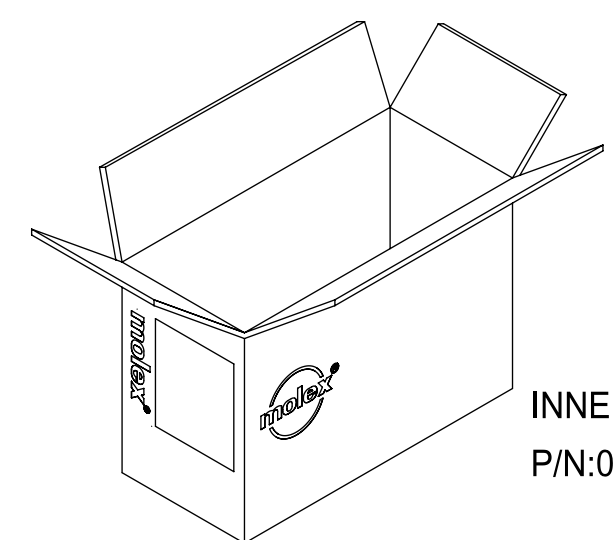
INNER CARTON
P/N:0885961040

⑥

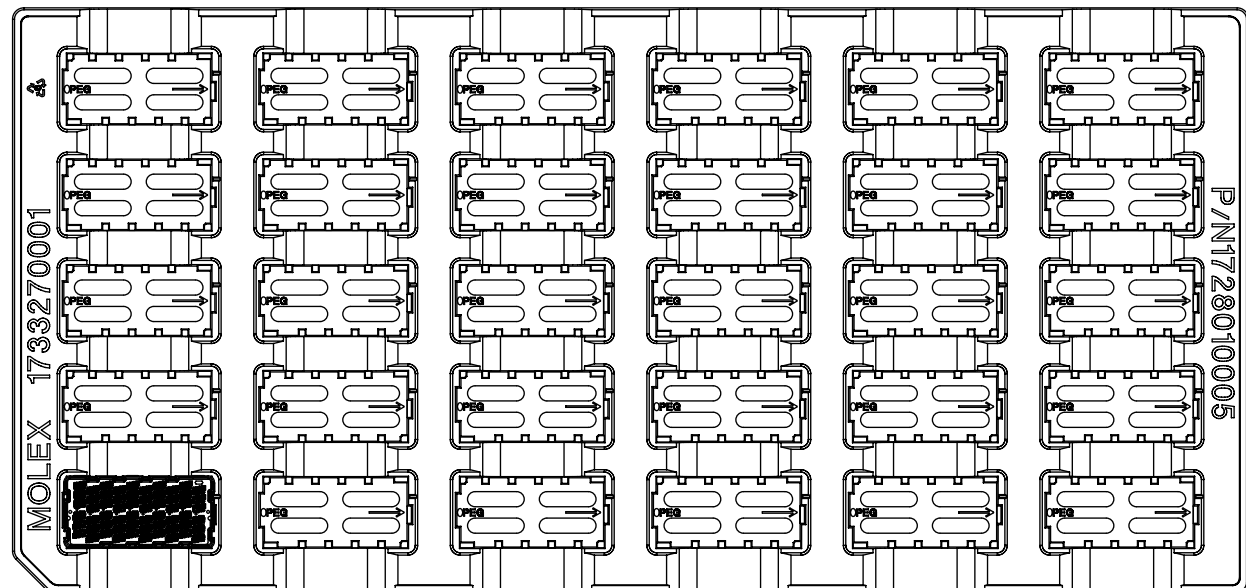


BIG CARTON BOX
OUTER CARTON
P/N:0885960512

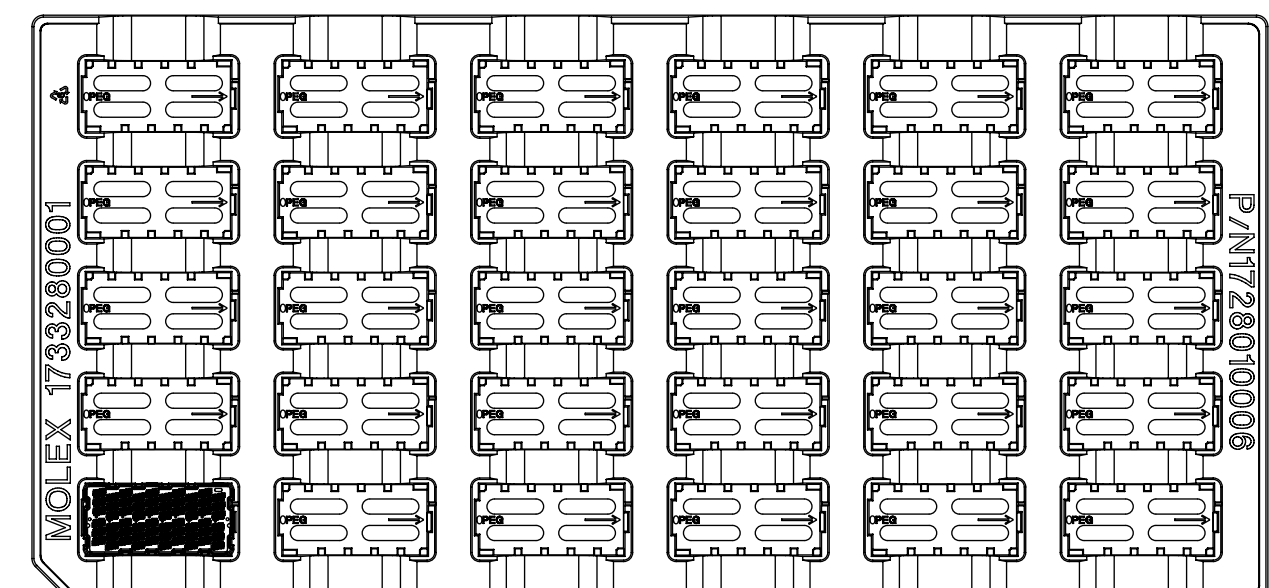
INNER CARTON
P/N:0885961040



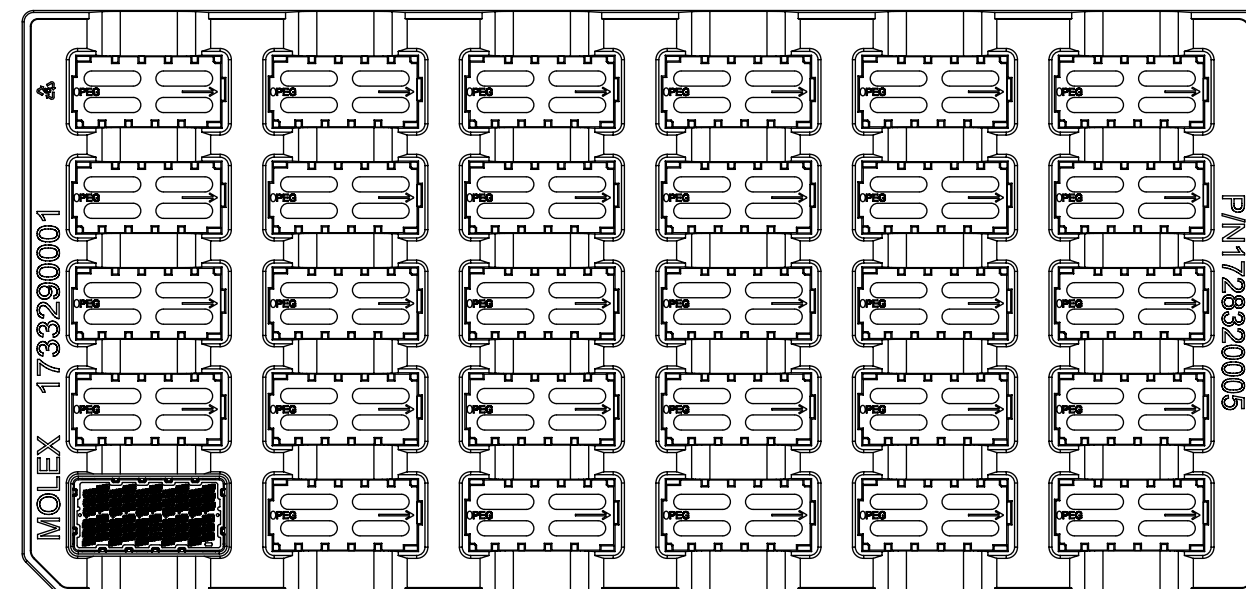
QUALITY SYMBOLS	THIS DRAWING CONTAINS INFORMATION THAT IS PROPRIETARY TO MOLEX ELECTRONIC TECHNOLOGIES, LLC AND SHOULD NOT BE USED WITHOUT WRITTEN PERMISSION		GENERAL TOLERANCES (UNLESS SPECIFIED)		DIMENSION UNITS	SCALE				
▽ = 0	2017/12/05	2017/12/08	ANGULAR TOL ± 0.5 °		MM	1:1				
▽ = 0	EC NO: 169070 DRWN: CCHEN103 CHKD: JKACHLIC APPR: JKACHLIC	2017/12/05 2017/12/08	4 PLACES ±	DRWN BY	DATE	DBFAN 2016/10/18				
▽ = 0			3 PLACES ±	CHK'D BY	DATE				TPREMO 2016/10/18	
▼ = 0			2 PLACES ± 0.13	APPR BY	DATE	DMCGOWAN 2016/10/20				
▽ = 0			1 PLACE ± 0.25	DRAWING SIZE	THIRD ANGLE PROJECTION				173358 See table GENERAL MARKET	
⊠ = 0			0 PLACES ±	C		DOCUMENT NUMBER PK-173358-0001 DOC TYPE PDD DOC PART 001 SHEET NUMBER 1 OF 6				
■ = 0	DRAFT WHERE APPLICABLE MUST REMAIN WITHIN DIMENSIONS									
▽ = 0										



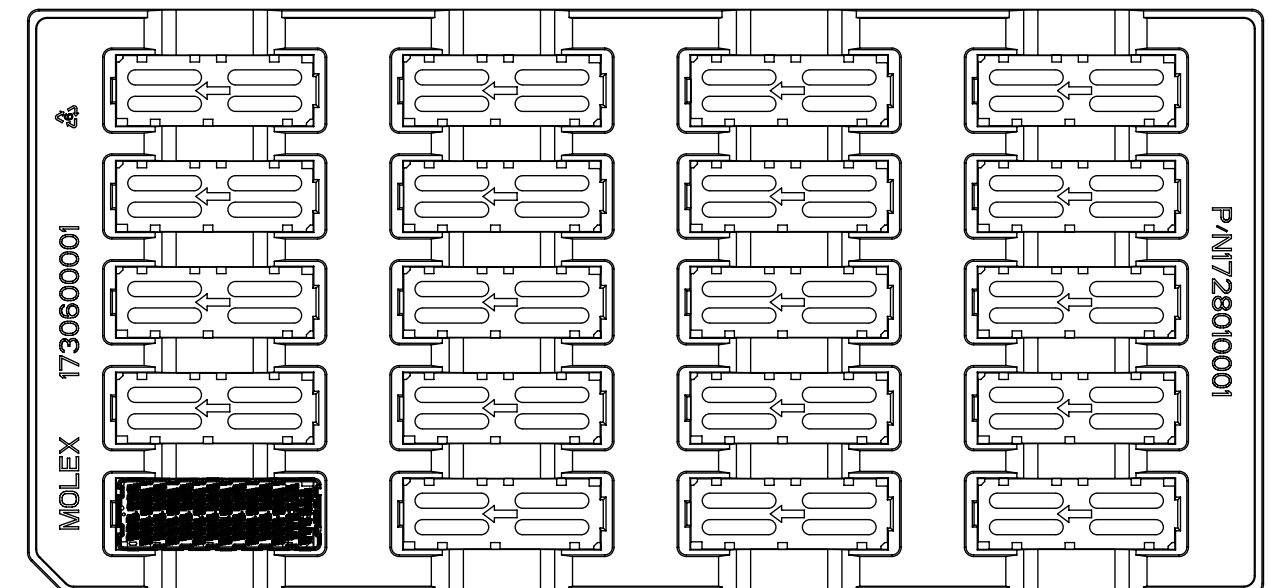
Tray P/N:173327-0001
 Connector:P/N 172801-0005
 Description:6x10 Plug 13.5mm



Tray P/N:173328-0001
 Connector:P/N 172801-0006
 Description:6x10 Plug 21.5mm

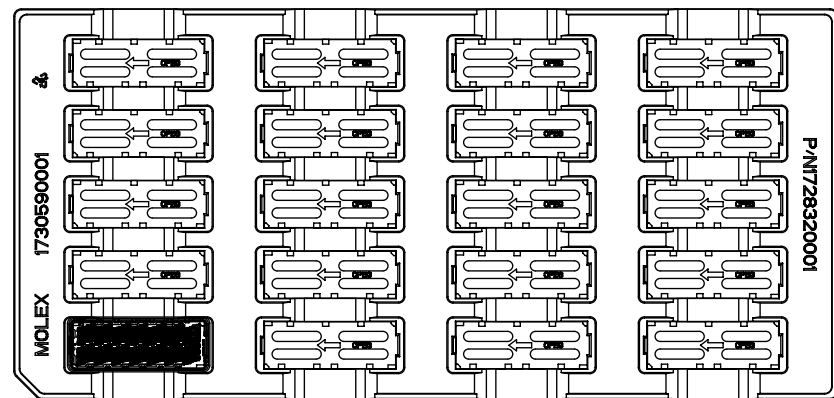


Tray P/N:173329-0001
 Connector:P/N 172832-0005
 Description:6x10 receptacle 18.5mm

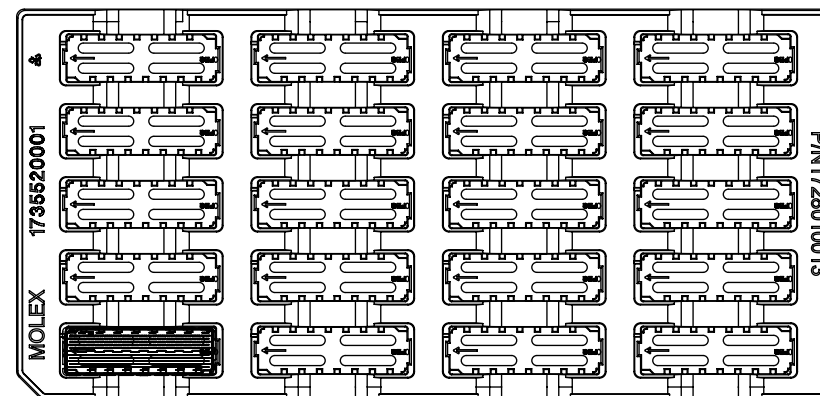


Tray P/N:173060-0001
 Connector:P/N 172801-0001
 Description:6x14 Plug 13.5mm

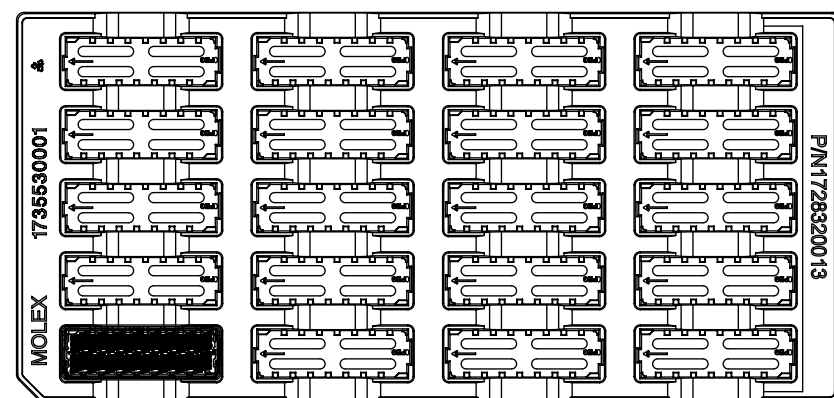
QUALITY SYMBOLS ▽ = 0 ▽ = 0 ▽ = 0 ▼ = 0 ▽ = 0 ⊠ = 0 ■ = 0 ▽ = 0	THIS DRAWING CONTAINS INFORMATION THAT IS PROPRIETARY TO MOLEX ELECTRONIC TECHNOLOGIES, LLC AND SHOULD NOT BE USED WITHOUT WRITTEN PERMISSION									
	EC NO: 169070 DRWN: CCHEN103 CHKD: JKACHLIC REV APPR: JKACHLIC	2017/12/05 2017/12/05 2017/12/08	GENERAL TOLERANCES (UNLESS SPECIFIED)		DIMENSION UNITS	SCALE				
					MM	1:1				
			ANGULAR TOL ± 0.5 °		DRWN BY	DATE	PACKAGING SPECIFICATION PLUG AND REC NEOPRESS			
			4 PLACES ±	DBFAN	2016/10/18					
			3 PLACES ±	CHK'D BY	DATE	PACKAGING DESIGN DRAWING				
	2 PLACES ± 0.13	TPREMO	2016/10/18							
	1 PLACE ± 0.25	APPR BY	DATE	SERIES		MATERIAL NUMBER		CUSTOMER		
	0 PLACES ±	DMCGOWAN	2016/10/20	173358	See table		GENERAL MARKET			
	DRAFT WHERE APPLICABLE MUST REMAIN WITHIN DIMENSIONS		DRAWING SIZE	THIRD ANGLE PROJECTION	DOCUMENT NUMBER		DOC TYPE	DOC PART	SHEET NUMBER	
		C		PK-173358-0001		PDD	001	2 OF 6		



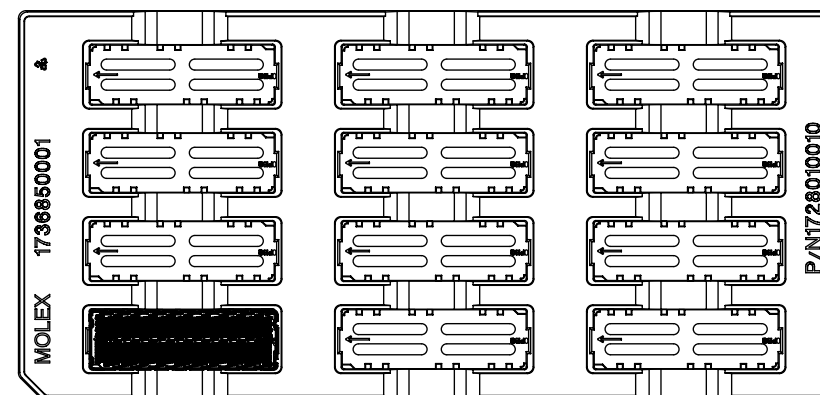
Tray P/N:173059-0001
 Connector:P/N 172832-0001
 Description:6x14 receptacle 13.5mm



Tray P/N:173552-0001
 Connector:P/N 172801-0013
 Description:6x16 Plug 18.5mm

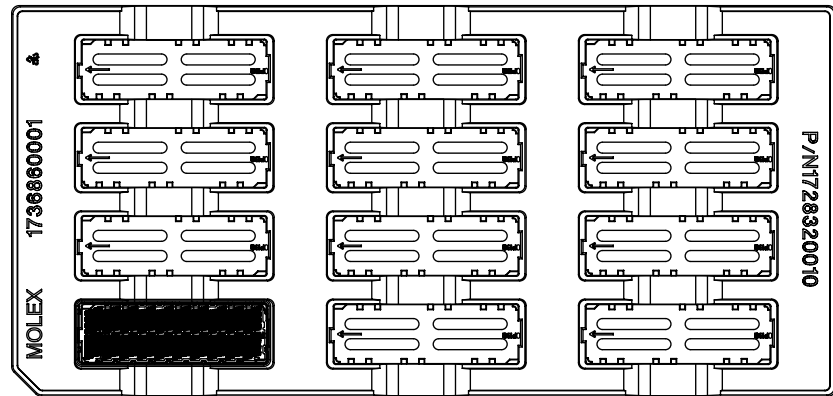


Tray P/N:173553-0001
 Connector:P/N 172832-0013
 Description:6x16 receptacle 18.5mm

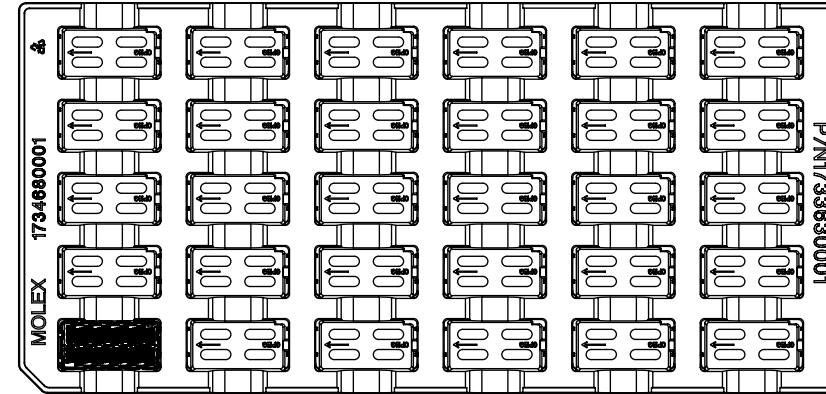


Tray P/N:173685-0001
 Connector:P/N 172801-0010
 Description:8x20 Plug 21.5mm

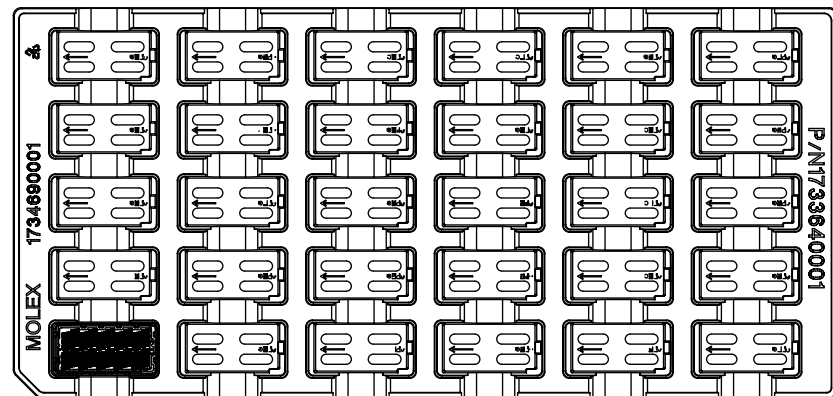
THIS DRAWING CONTAINS INFORMATION THAT IS PROPRIETARY TO MOLEX ELECTRONIC TECHNOLOGIES, LLC AND SHOULD NOT BE USED WITHOUT WRITTEN PERMISSION												
QUALITY SYMBOLS ▽ = 0 ▽ = 0 ▽ = 0 ▼ = 0 ▽ = 0 ⊠ = 0 ■ = 0 ▽ = 0	EC NO: 169070 DRWN: CCHEN103 CHKD: JKACHLIC APPR: JKACHLIC	2017/12/05 2017/12/05 2017/12/08	GENERAL TOLERANCES (UNLESS SPECIFIED)		DIMENSION UNITS	SCALE	 PACKAGING SPECIFICATION PLUG AND REC NEOPRESS PACKAGING DESIGN DRAWING					
			ANGULAR TOL ± 0.5 °		MM	1:1						
			4 PLACES ±	3 PLACES ±	DRWN BY	DATE						
			2 PLACES ± 0.13	1 PLACE ± 0.25	DBFAN	2016/10/18						
			0 PLACES ±	DRAFT WHERE APPLICABLE MUST REMAIN WITHIN DIMENSIONS	CHK'D BY	DATE	TPREMO 2016/10/18					
					APPR BY	DATE	DMCGOWAN 2016/10/20					
					DRAWING SIZE	THIRD ANGLE PROJECTION	SERIES			MATERIAL NUMBER		CUSTOMER
					B		173358			See table		GENERAL MARKET
					REV		DOCUMENT NUMBER			DOC TYPE	DOC PART	SHEET NUMBER
					B		PK-173358-0001			PDD	001	3 OF 6




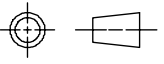
Tray P/N:172686-0005
 Connector:P/N 172832-0010
 Description:8x20 receptacle 18.5mm

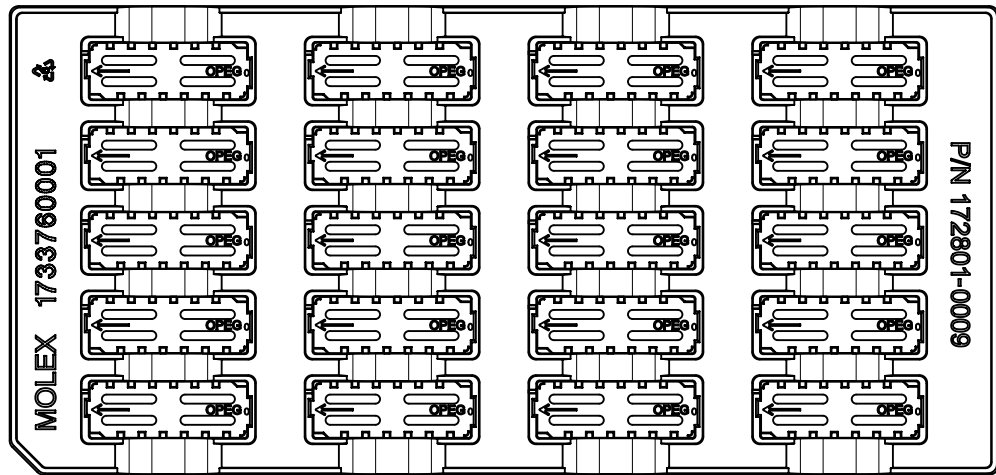


Tray P/N:172468-0005
 Connector:P/N 173363-0001
 Description:6x10 Plug 7.5mm

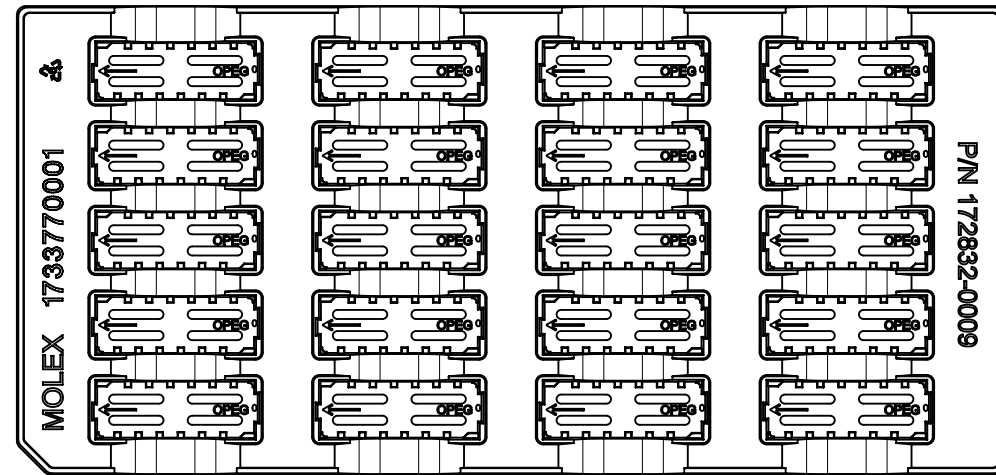


Tray P/N:172469-0005
 Connector:P/N 173364-0001
 Description:6x10 receptacle 13.5mm

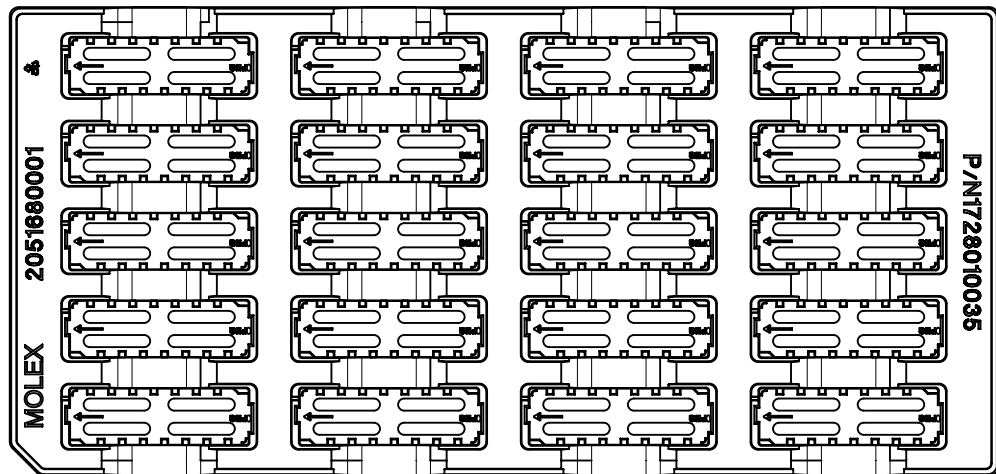
QUALITY SYMBOLS	THIS DRAWING CONTAINS INFORMATION THAT IS PROPRIETARY TO MOLEX ELECTRONIC TECHNOLOGIES, LLC AND SHOULD NOT BE USED WITHOUT WRITTEN PERMISSION										
▽ = 0	EC NO: 169070 DRWN: CCHEN103 CHKD: JKACHLIC APPR: JKACHLIC	2017/12/05 2017/12/05 2017/12/08	GENERAL TOLERANCES (UNLESS SPECIFIED)		DIMENSION UNITS	SCALE	 PACKAGING SPECIFICATION PLUG AND REC NEOPRESS				
▽ = 0			ANGULAR TOL ± 0.5 °		MM	1:1					
▽ = 0			4 PLACES ±	DRWN BY	DATE	DBFAN					2016/10/18
▼ = 0			3 PLACES ±	CHK'D BY	DATE	TPREMO					2016/10/18
▽ = 0			2 PLACES ± 0.13	APPR BY	DATE	DMCGOWAN	2016/10/20	PACKAGING DESIGN DRAWING			
▽ = 0			1 PLACE ± 0.25	DRAWING SIZE	THIRD ANGLE PROJECTION	B	SERIES: 173358 MATERIAL NUMBER: See table CUSTOMER: GENERAL MARKET				
⊠ = 0			0 PLACES ±	DRAFT WHERE APPLICABLE MUST REMAIN WITHIN DIMENSIONS				DOCUMENT NUMBER	DOC TYPE	DOC PART	SHEET NUMBER
■ = 0							PK-173358-0001		PDD	001	4 OF 6
▽ = 0											



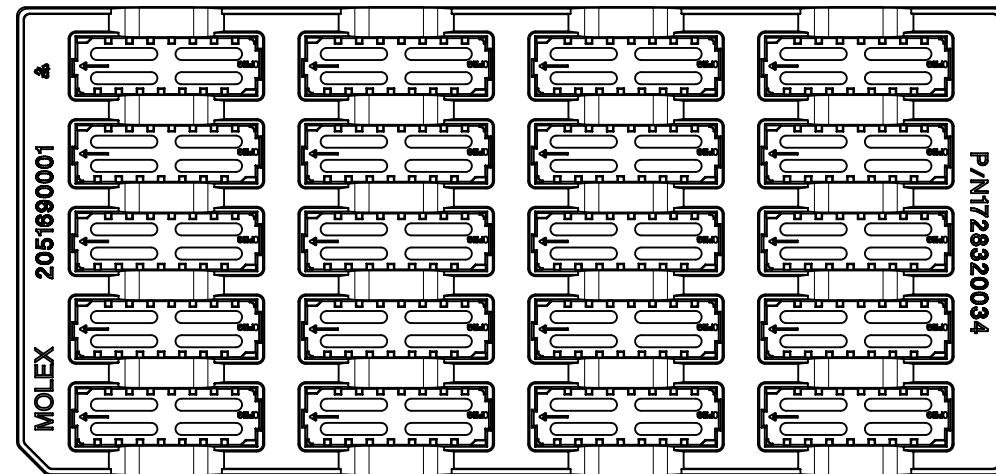
Tray P/N:173376-0001
 Connector:P/N 172801-0009
 Description:6x14 Plug 18.5mm



Tray P/N:173377-0001
 Connector:P/N 172832-0009
 Description:6x14 receptacle 18.5mm

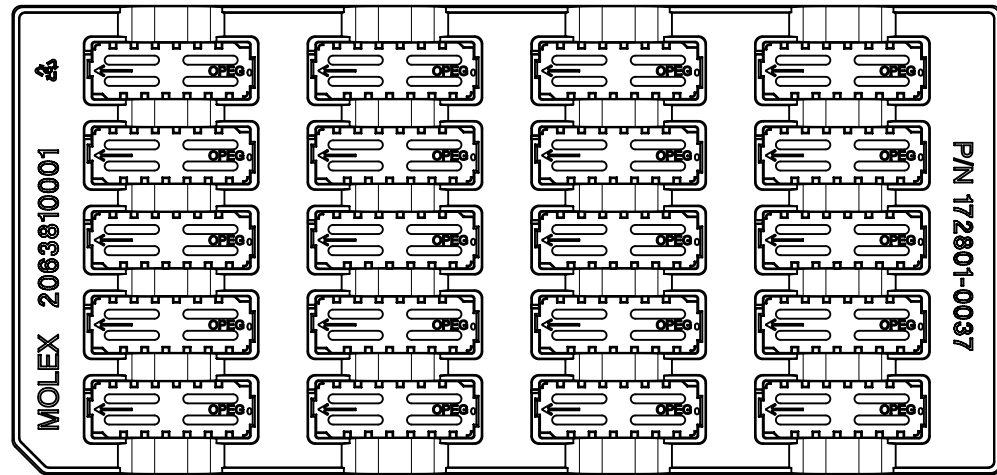


Tray P/N:205168-0001
 Connector:P/N 172801-0035
 Description:6x16 Plug 18.5mm



Tray P/N:205169-0001
 Connector:P/N 172832-0034
 Description:6x16 receptacle 18.5mm

QUALITY SYMBOLS	THIS DRAWING CONTAINS INFORMATION THAT IS PROPRIETARY TO MOLEX ELECTRONIC TECHNOLOGIES, LLC AND SHOULD NOT BE USED WITHOUT WRITTEN PERMISSION											
▽ = 0	EC NO: 169070 DRWN: CCHEN103 CHKD: JKACHLIC APPR: JKACHLIC	2017/12/05 2017/12/05 2017/12/08	GENERAL TOLERANCES (UNLESS SPECIFIED)		DIMENSION UNITS	SCALE						
▽ = 0			ANGULAR TOL ± 0.5 °		MM	1:2.5						
▽ = 0			4 PLACES ±	DRWN BY		DATE						
▼ = 0			DRAFT WHERE APPLICABLE MUST REMAIN WITHIN DIMENSIONS	B	3 PLACES ±	CHK'D BY		DATE	PACKAGING SPECIFICATION PLUG AND REC NEOPRESS			
▽ = 0					2 PLACES ± 0.13	TPREMO		2016/10/18				
⊠ = 0					1 PLACE ± 0.25	APPR BY		DATE	PACKAGING DESIGN DRAWING			
■ = 0					0 PLACES ±	DMCGOWAN		2016/10/20				
▽ = 0			DRAWING SIZE		THIRD ANGLE PROJECTION		SERIES	MATERIAL NUMBER	CUSTOMER			
			B				173358	See table	GENERAL MARKET			
							DOCUMENT NUMBER		DOC TYPE	DOC PART	SHEET NUMBER	
							PK-173358-0001		PDD	001	5 OF 6	

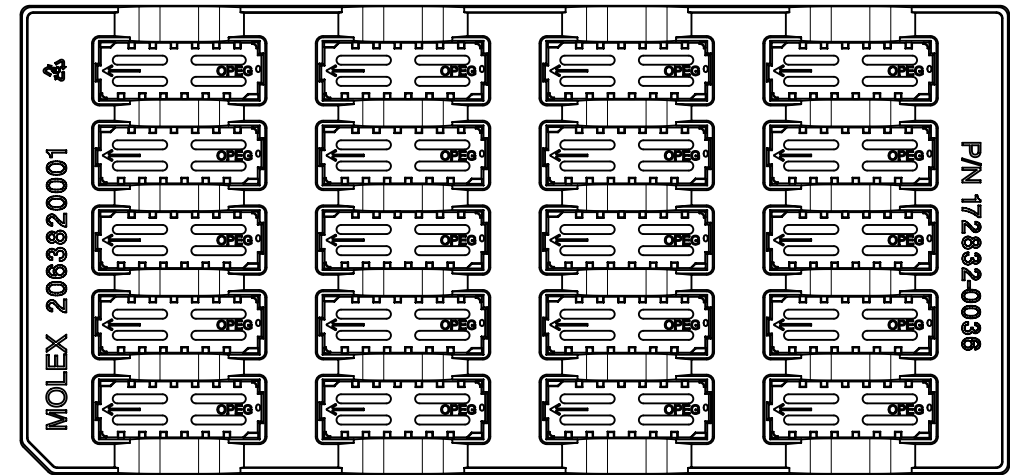


Tray P/N:206381-0001

Connector:P/N 172801-0037

Description:6x14 Plug 18.5mm

B



Tray P/N:206382-0001

Connector:P/N 172832-0032

Description:6x14 receptacle 18.5mm

B

THIS DRAWING CONTAINS INFORMATION THAT IS PROPRIETARY TO MOLEX ELECTRONIC TECHNOLOGIES, LLC AND SHOULD NOT BE USED WITHOUT WRITTEN PERMISSION												
QUALITY SYMBOLS ▽ = 0 ▽ = 0 ▽ = 0 ▼ = 0 ▽ = 0 ⊠ = 0 ■ = 0 ▽ = 0	EC NO: 169070 DRWN: CCHEN103 CHKD: JKACHLIC APPR: JKACHLIC	2017/12/05 2017/12/05 2017/12/08	GENERAL TOLERANCES (UNLESS SPECIFIED)		DIMENSION UNITS	SCALE						
			ANGULAR TOL ± 0.5 °		MM	1:2						
			4 PLACES ±	DRWN BY	DATE	PACKAGING SPECIFICATION PLUG AND REC NEOPRESS						
			3 PLACES ±	DBFAN	2016/10/18							
			2 PLACES ± 0.13	CHK'D BY	DATE			PACKAGING DESIGN DRAWING				
			1 PLACE ± 0.25	TPREMO	2016/10/18							
			0 PLACES ±	APPR BY	DATE	DIMENSION UNITS	THIRD ANGLE PROJECTION	SERIES	MATERIAL NUMBER	CUSTOMER		
			DRAFT WHERE APPLICABLE MUST REMAIN WITHIN DIMENSIONS			B		173358		GENERAL MARKET		
								DRAWING SIZE	DOCUMENT NUMBER			
								B	PK-173358-0001		DOC TYPE	DOC PART
							PDD	001	6 OF 6			