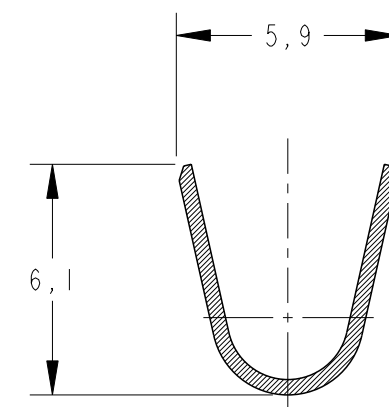
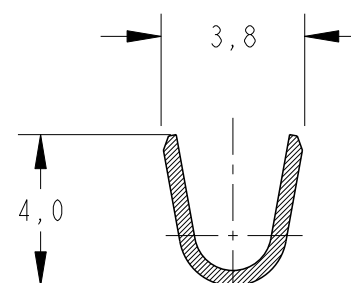
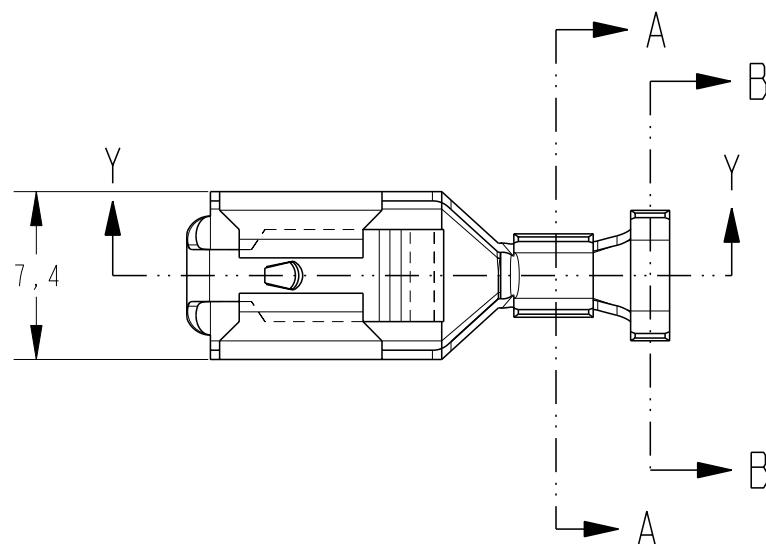


LOC AP DIST -

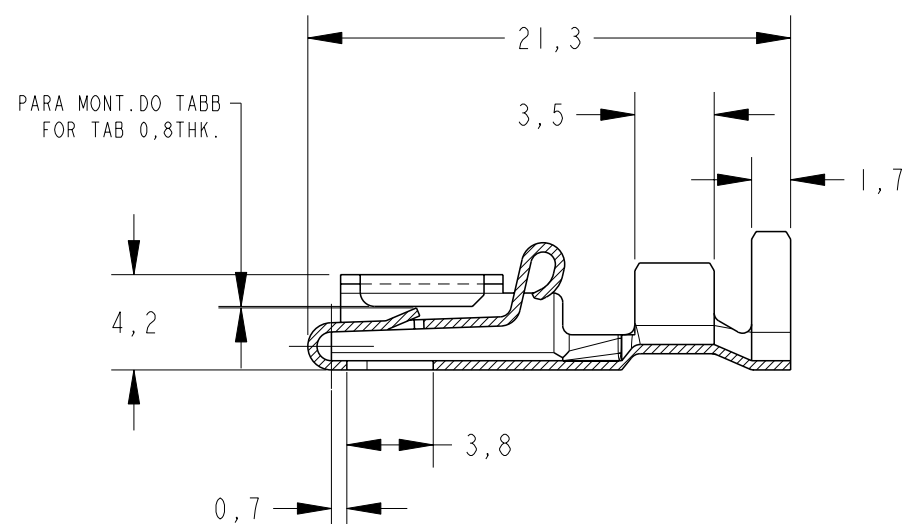
REVISIONS

| P | LTR | DESCRIPTION | DATE | DWN | APVD |
|---|-----|-----------------------------|-----------|-----|------|
| | B4 | REDRAW BY CAD ECO-12-014149 | 16JUL2012 | NCL | DAO |

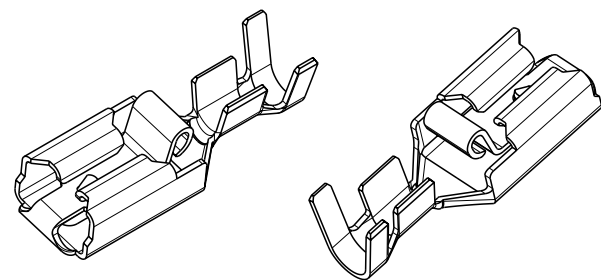


SECTION A-A
SCALE 5:1

SECTION B-B
SCALE 5:1



SECTION Y-Y



PERSPECTIVE VIEWS
SCALE 2:1

| FINISH | MATERIAL | PART NUMBER |
|--------------------------------------|---------------------------|-------------|
| OBSOLETE ESTANHADO/TIN PLATED | LATÃO / BRASS | 880645 -9 |
| PRÉ ESTANHADO/PRE TIN | LATÃO / BRASS | 880645 -6 |
| ESTANHADO/TIN PLATED | BRONZE FOSF./PHOSP BRONZE | 880645 -4 |
| OBSOLETE ESTANHADO/TIN PLATED | LATÃO / BRASS | 880645 -3 |
| --- | BRONZE FOSF./PHOSP BRONZE | 880645 -2 |
| --- | LATÃO / BRASS | 880645 -1 |

| INS. RANGE | WIRE RANGE |
|-------------|-------------------------|
| ∅ 2,7-4,0mm | >1,0-2,5mm ² |

THIS DRAWING IS A CONTROLLED DOCUMENT.

DWN NCLAPRESA 16JUL2012
CHK JRGOLDSCHMIDT 16JUL2012
APVD 16JUL2012

TE Connectivity

STE

NAME: -
PRODUCT SPEC: -
APPLICATION SPEC: -
WEIGHT: -

SIZE: A3 CAGE CODE: 00779 DRAWING NO: C-880645 RESTRICTED TO: -

MATERIAL: SEE TABLE FINISH: SEE TABLE

CUSTOMER DRAWING SCALE: - SHEET: 1 OF 1 REV: B4