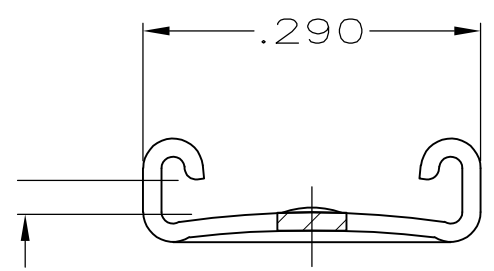
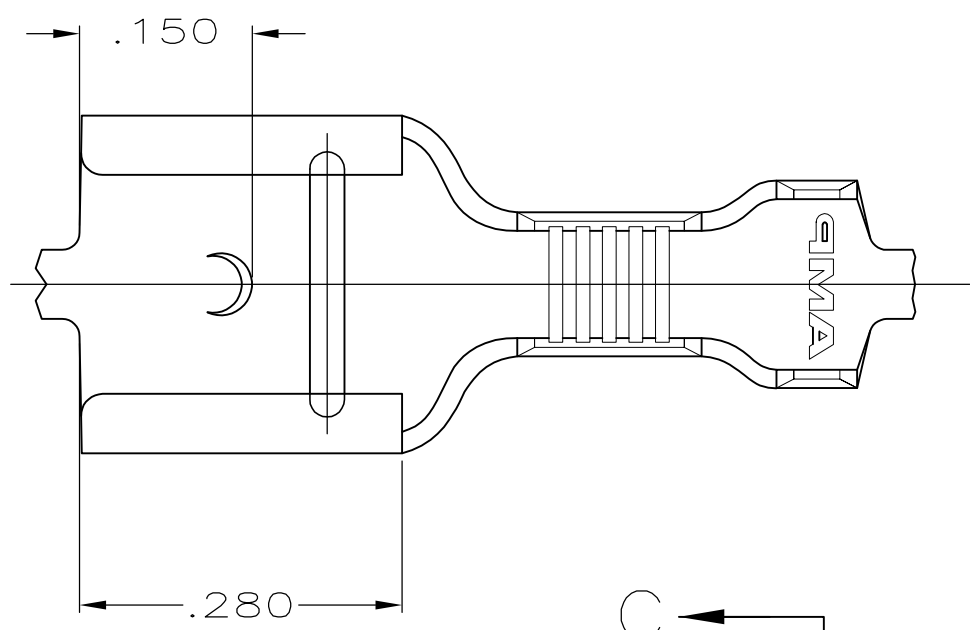
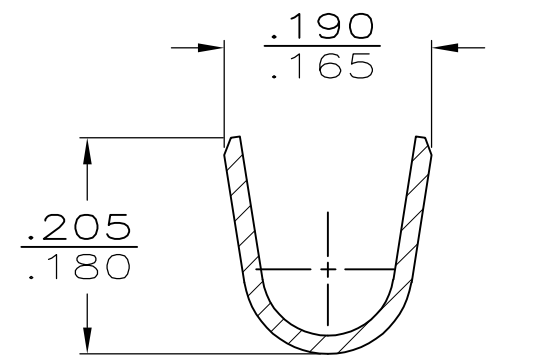
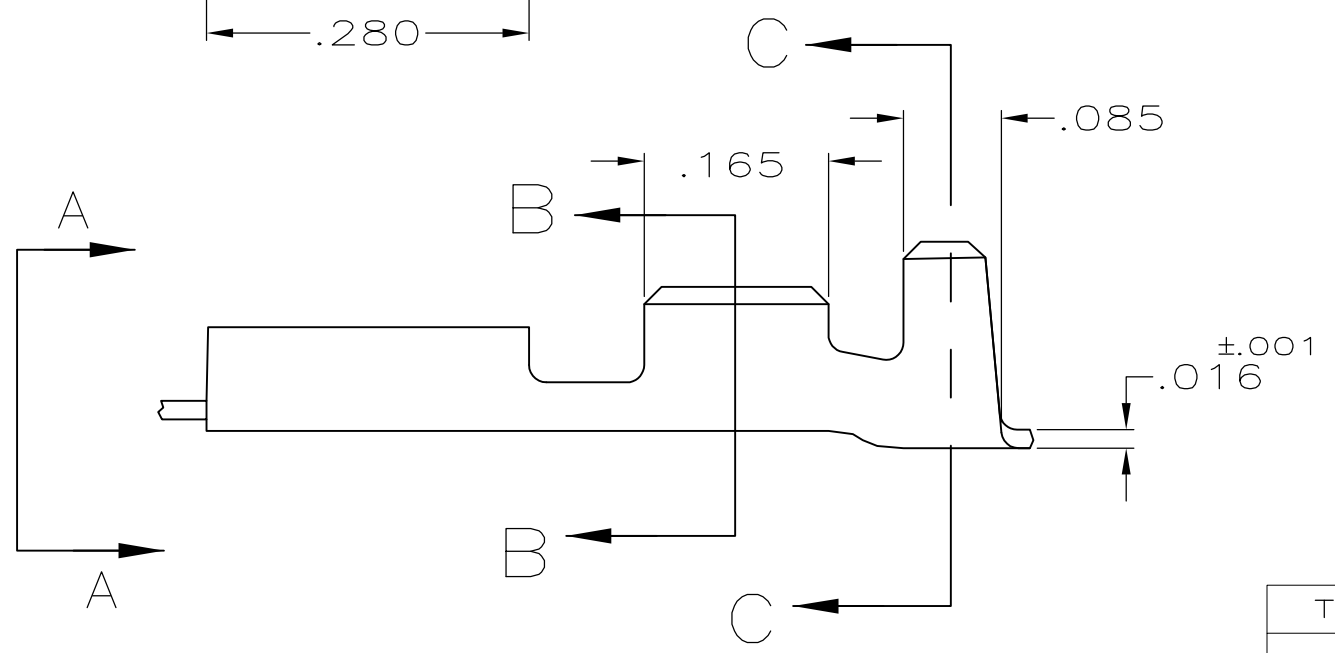


THIS DRAWING IS UNPUBLISHED. RELEASED FOR PUBLICATION  
 © COPYRIGHT - By TYCO ELECTRONICS CORPORATION ALL RIGHTS RESERVED.

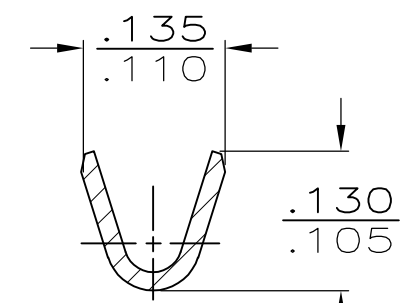
LOC	DIST	REVISIONS					
AF	50	P	LTR	DESCRIPTION	DATE	DWN	APVD
			D	REVISE PER ECR-13-013738	15FEB2014	GRZ	JL



FITS .250 SERIES FASTON TAB  
 VIEW A-A



SECTION C-C



SECTION B-B

TIN	.100-.140	1000-3000	23-20	20-16	.032	60384-2
-	.100-.140	1000-3000	23-20	20-16	.032	60384-1
FINISH	INSULATION RANGE	CMA	2 MAGNET	1 MAGNET	MATING TAB THK ±.001	PART NUMBER

THIS DRAWING IS A CONTROLLED DOCUMENT.		DWN JR RUTH 5/18/90	TE Connectivity RECEPTACLE, FASTON, AMPLIVAR, .250 SERIES				
DIMENSIONS: INCHES		CHK MS FEHER 5/18/90					
TOLERANCES UNLESS OTHERWISE SPECIFIED:		APVD C MEYERS 5/18/90	NAME				
0 PLC ± - 1 PLC ± - 2 PLC ± - 3 PLC ± .015 4 PLC ± - ANGLES ± -		PRODUCT SPEC R KUZO 5/18/90	APPLICATION SPEC				
MATERIAL BRASS		FINISH SEE TABLE	WEIGHT -	SIZE A3	CAGE CODE 00779	DRAWING NO C-60384	RESTRICTED TO -
CUSTOMER DRAWING			SCALE 6:1	SHEET 1 OF 1	REV D		