

4

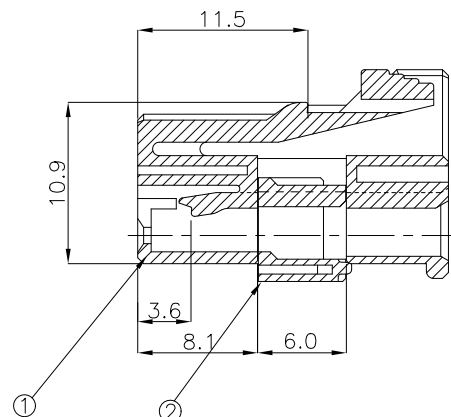
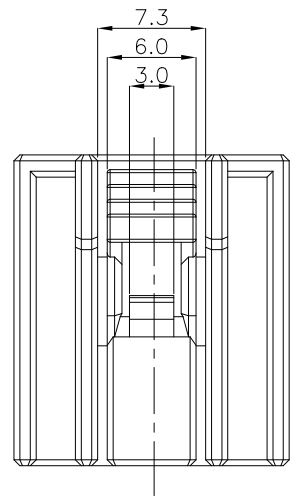
3

2

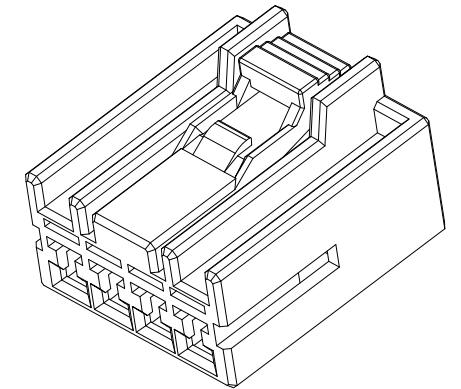
1

THIS DRAWING IS UNPUBLISHED. RELEASED FOR PUBLICATION
COPYRIGHT BY TYCO ELECTRONICS CORPORATION, ALL RIGHTS RESERVED.

LOC	DIST	REVISIONS					
		P	LTR	DESCRIPTION	DATE	DWN	APVD
DS	-		C	REVISED (ECR-08-015583)	20.JUN.'08	KT	HG
			C1	REVISED (ECR-09-005043)	24.MAR.'09	KT	HG



SECTION A - A

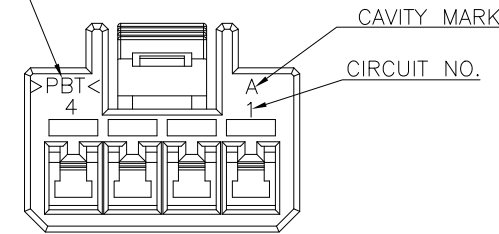
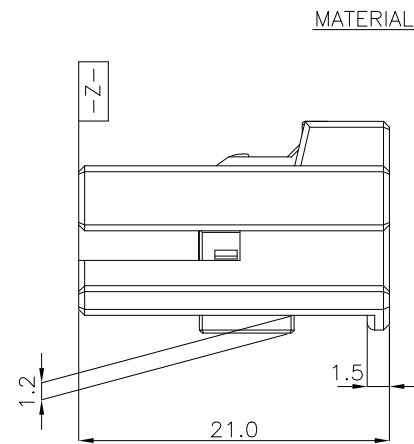
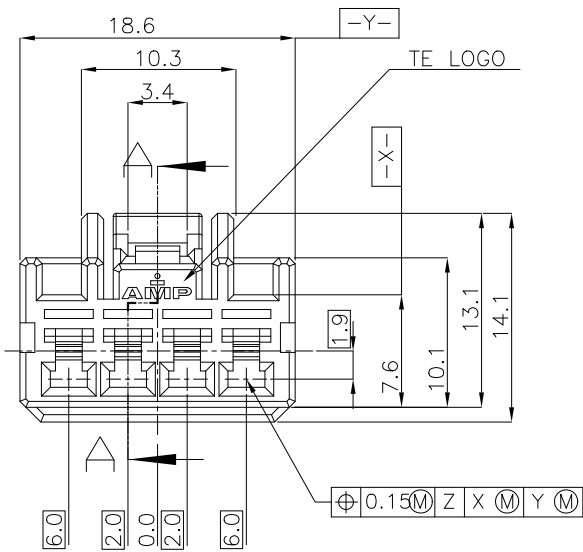


NOTES.

- THE MATING HSG. P/N ; 936238
- APPLIED CONTACT P/N ;
090 II REC.- 368083, 368084, 368085
090 III REC.- 1743654, 1743655, 1743656, 1897753, 1897598

-추가-

- 상대 하우징 P/N. ; 936238
- 적용단자 P/N. ; 090 II REC.- 368083, 368084, 368085
090 III REC.- 1743654, 1743655, 1743656, 1897753, 1897598



ASSY P/N
0-936227-8
0-936227-7
0-936227-6
0-936227-5
0-936227-4
0-936227-3
0-936227-2
0-936227-1

NO	COLOR	MATERIAL	DESCRIPTION	P/N	QTY
1	BLUE	PBT	PLUG	0-936228-8	1
	GREEN	PBT	PLUG	0-936228-7	1
	RED	PBT	PLUG	0-936228-6	1
	YELLOW	PBT	PLUG	0-936228-5	1
	BROWN	PBT	PLUG	0-936228-4	1
	D/GRAY	PBT	PLUG	0-936228-3	1
	BLACK	PBT	PLUG	0-936228-2	1
	NATURAL	PBT	PLUG	0-936228-1	1
2	NATURAL	PBT	DBL	0-936270-1	1 1 1 1 1 1 1 1

THIS DRAWING IS A CONTROLLED DOCUMENT FOR TYCO ELECTRONICS CORPORATION IT IS SUBJECT TO CHANGE AND THE CONTROLLING ENGINEERING ORGANIZATION SHOULD BE CONTACTED FOR THE LATEST REVISION.

DIMENSIONS: MM	TOLERANCES UNLESS OTHERWISE SPECIFIED: 0 <XX<10 ± 0.2 10<XX<30 ± 0.25 30<XX ± 0.3 ANGLES ± 3°
MATERIAL SEE TABLE	FINISH

DWN KT JUNG
CHK JW JUNG
APVD HG CHD
PRODUCT SPEC -
APPLICATION SPEC -
WEIGHT -

Tyco Electronics AMP KOREA, Kyungsan, Korea
NAME: 090III 4P PLUG ASS'Y
SIZE: A3 CAGE CODE: 00779 DRAWING NO: C-936227 RESTRICTED TO: -
CUSTOMER DRAWING SCALE: 2/1 SHEET: 1 OF 1 REV: C1