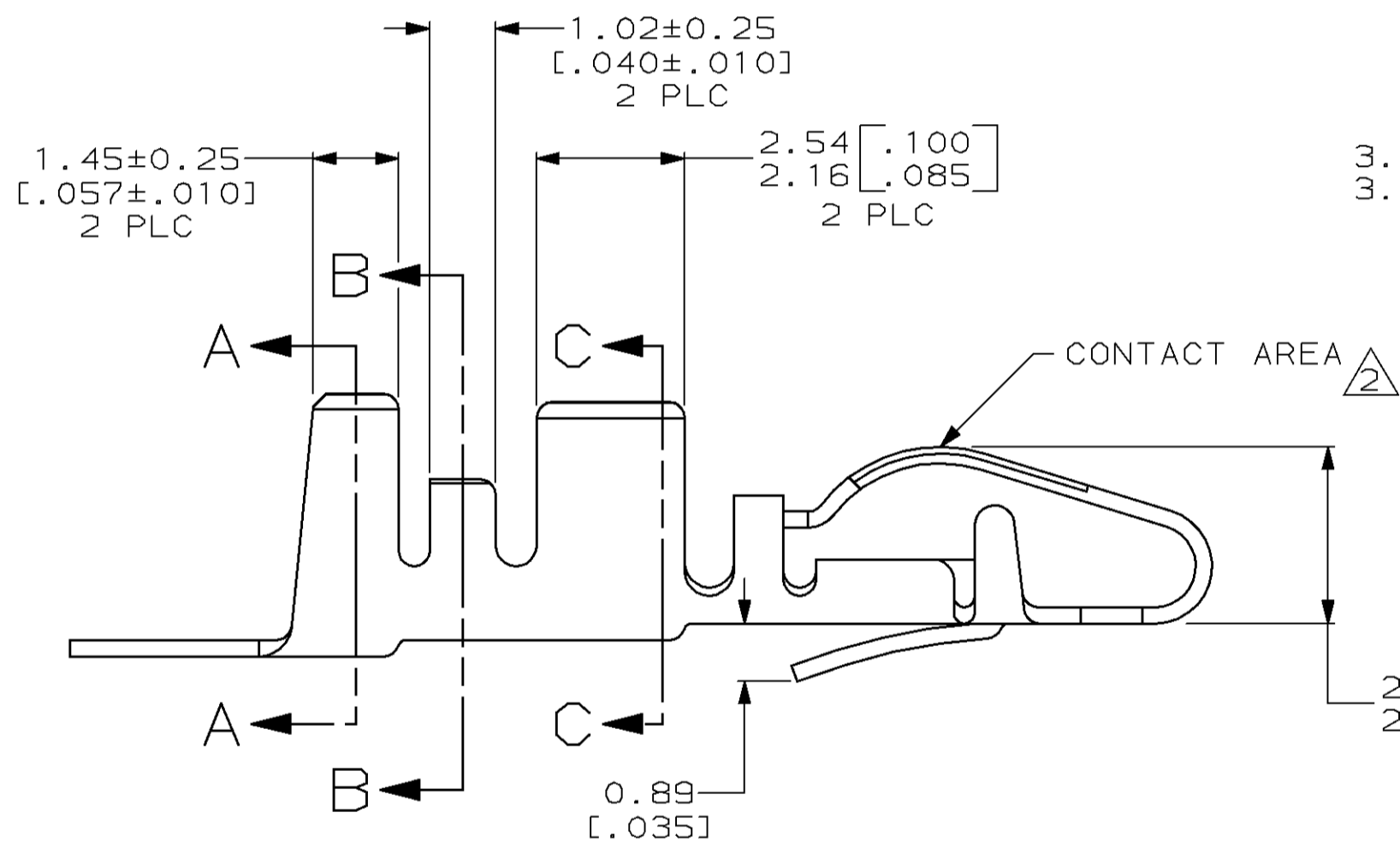
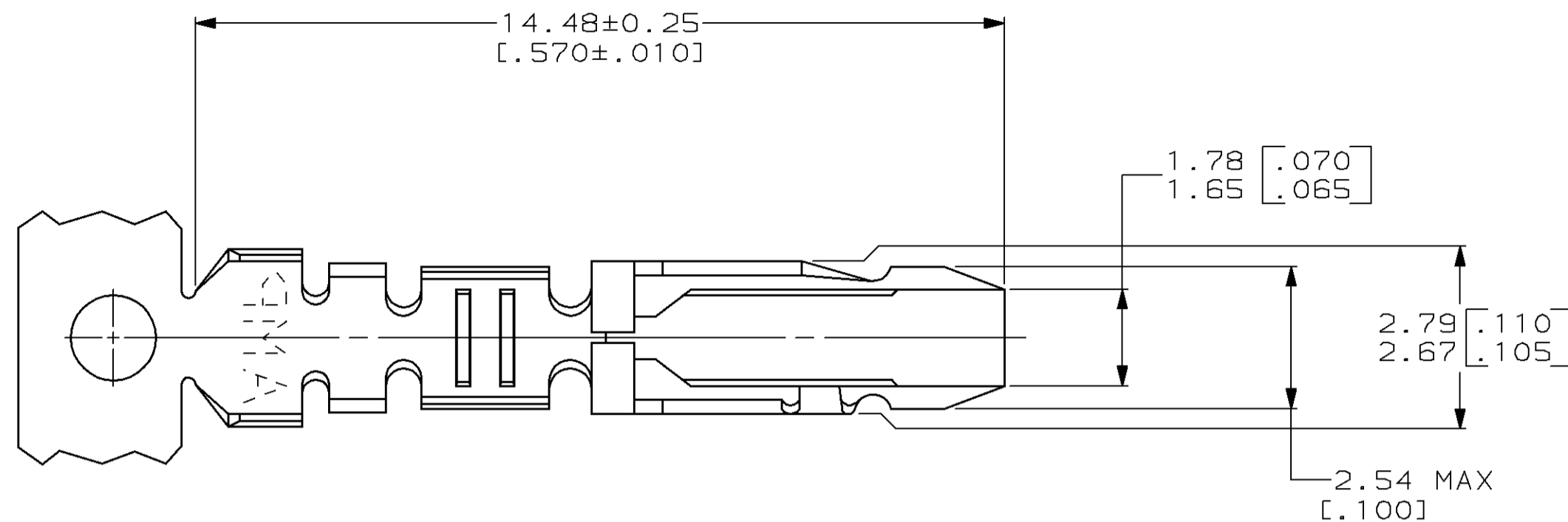


THIS DRAWING IS UNPUBLISHED. RELEASED FOR PUBLICATION
 © COPYRIGHT 19 BY AMP INCORPORATED. ALL RIGHTS RESERVED.

LOC		DIST		REVISIONS			
P	LTR	DESCRIPTION	DATE	DWN	APVD		
FT	22	W	REDRAWN W/O CHANGE PER EC 0320-299-97	28 AUG 97	-	-	-



SECTION A-A

SECTION B-B

SECTION C-C

- 1 PHOSPHOR BRONZE.
- 2 0.76µm [.000030] MIN GOLD IN CONTACT AREA, GOLD FLASH ON REMAINDER OF CONTACT, BOTH OVER 1.27µm [.000050] MIN NICKEL.
- 3. REVERSE REELED (LEFT TO RIGHT FEED), FOR MINI-APPLICATOR.
- 4. INSULATION RANGE: 2.03 [.080] DIA.

THIS DRAWING IS A CONTROLLED DOCUMENT.		DWN D. HARDY 28 AUG 97	AMP Incorporated Harrisburg, PA 17105-3608	
DIMENSIONS: mm [INCHES]		CHK R. STONE 04 SEP 97	NAME N. SCHROLL	
TOLERANCES UNLESS OTHERWISE SPECIFIED:		APVD 05 SEP 97	PRODUCT SPEC	
0 PLC ±-		APPLICATION SPEC		
1 PLC ±-		WEIGHT		
2 PLC ±0.13 [.005]		SCALE 10:1 SHEET 1 OF 1 REV W		
3 PLC ±-		CUSTOMER DRAWING		
4 PLC ±-		SIZE A2 CAGE CODE 00779 DRAWING NO 60151 RESTRICTED TO		
ANGLES ±-		FINISH		
MATERIAL 1		CONTACT, 16 AWG, AMP-LEAF™		

60151

60151-6
 PART NUMBER