

5

4

3

2

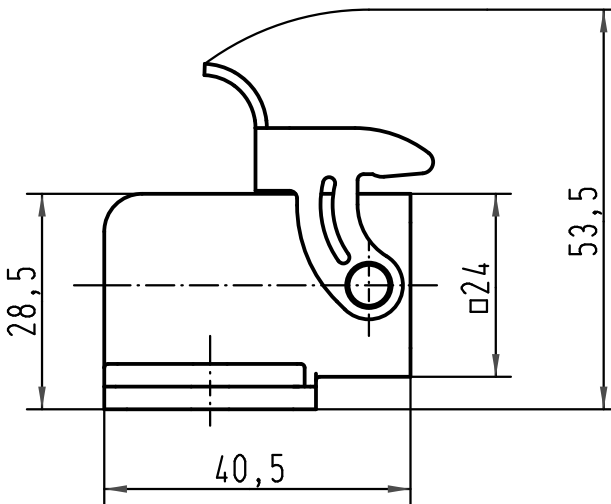
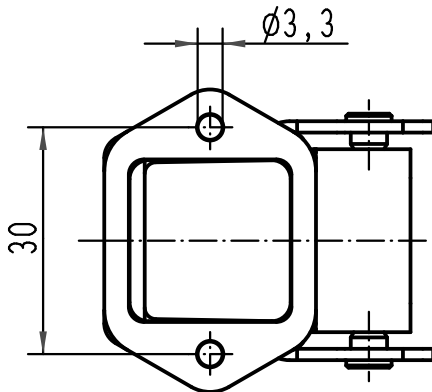
1

D

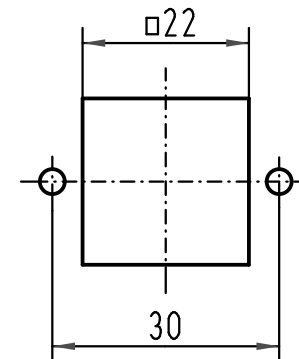
C

B

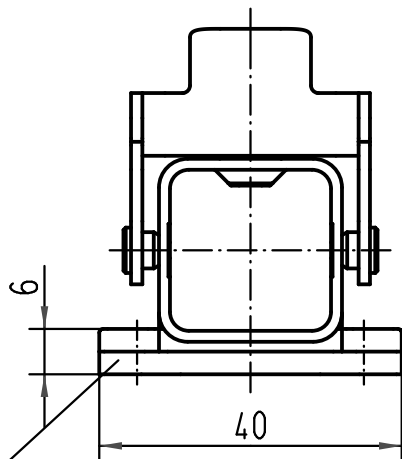
A



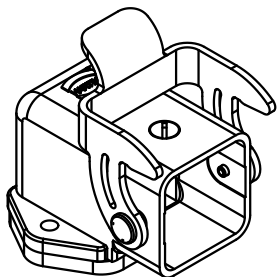
Montageausschnitt/
panel cut out



Dichtung/
gasket



Einsatzbefestigungsschraube M3x6 lose mitgeliefert
Insert fixing screw M3x6 enclosed



| | | | | | | | | |
|---|----------|------|--------------------------------|----------|------|--|--|--|
| All Dimensions in mm Original Size DIN A 4 | | | Techn. Character. | | | Nicht tolerierte Maße/Free size tolerances | | |
| | | | | Dat. | Name | Maßstab/Scale | | |
| | | | Detail. | 28.08.02 | DY | 1:1 | | |
| | | | Insp. | | KR | | | |
| | | | Stand. | | | | | |
| 414293 | 03.02.09 | ML | HARTING Electric GmbH & Co. KG | | | Han 3M-agw-QB Anbaugehäuse/ housing bulkhead mounting | | |
| 410188 | | | D-32339 Espelkamp | | | | | |
| Mod. | Dat. | Name | | | | TB 09 37 003 0801 | | |
| Sub. | | | | | | Blatt/ page | | |