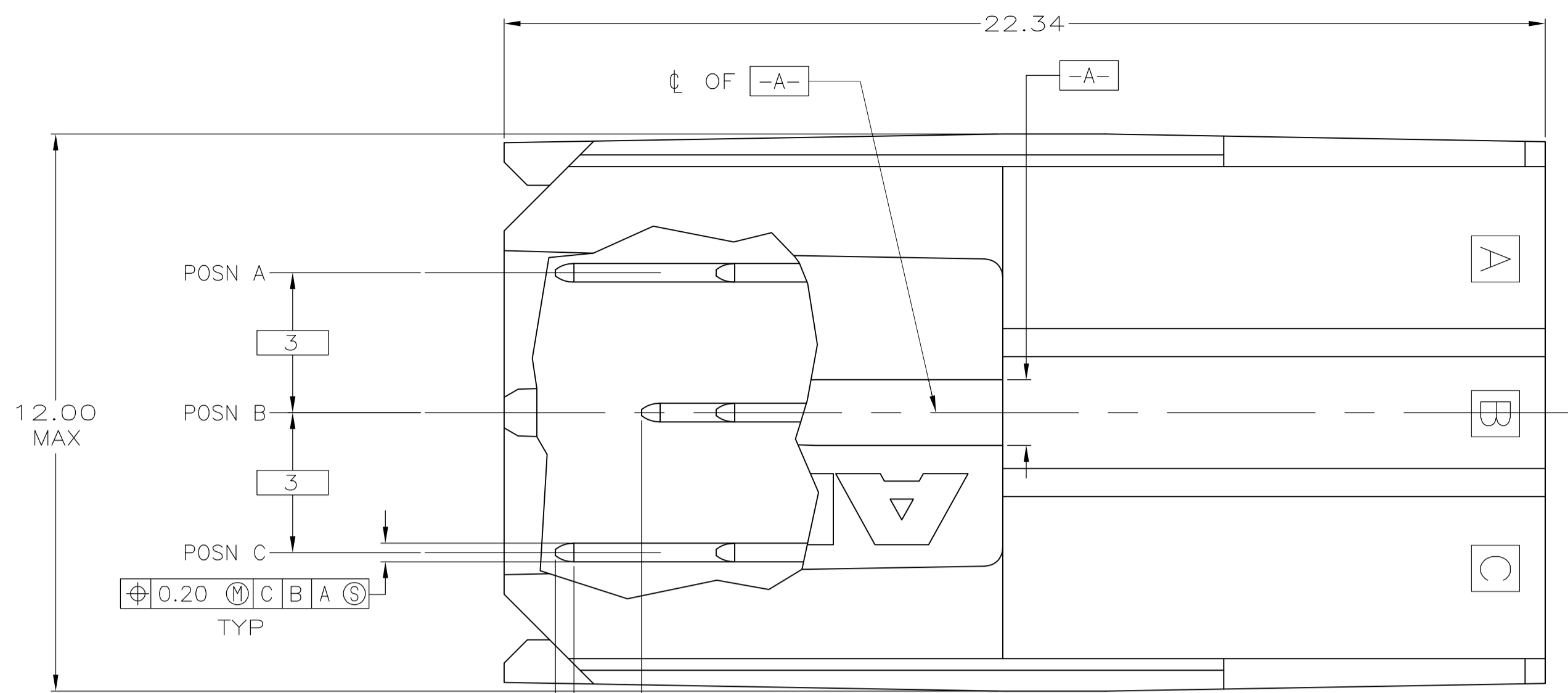
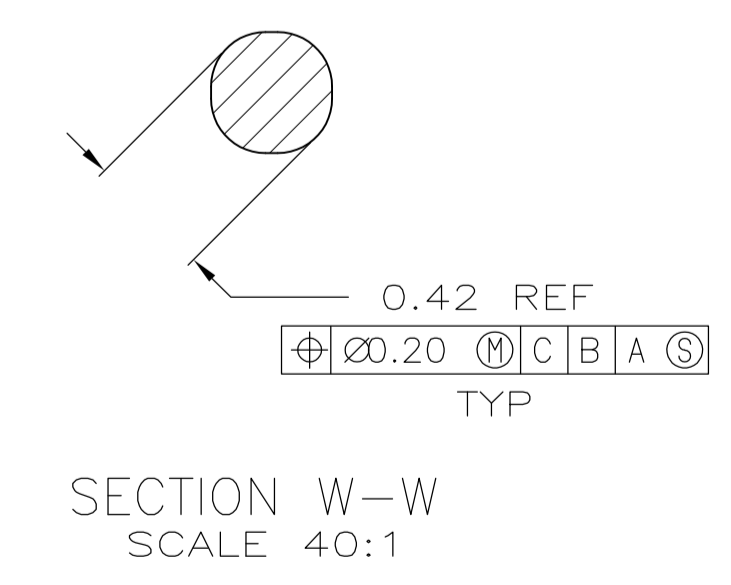
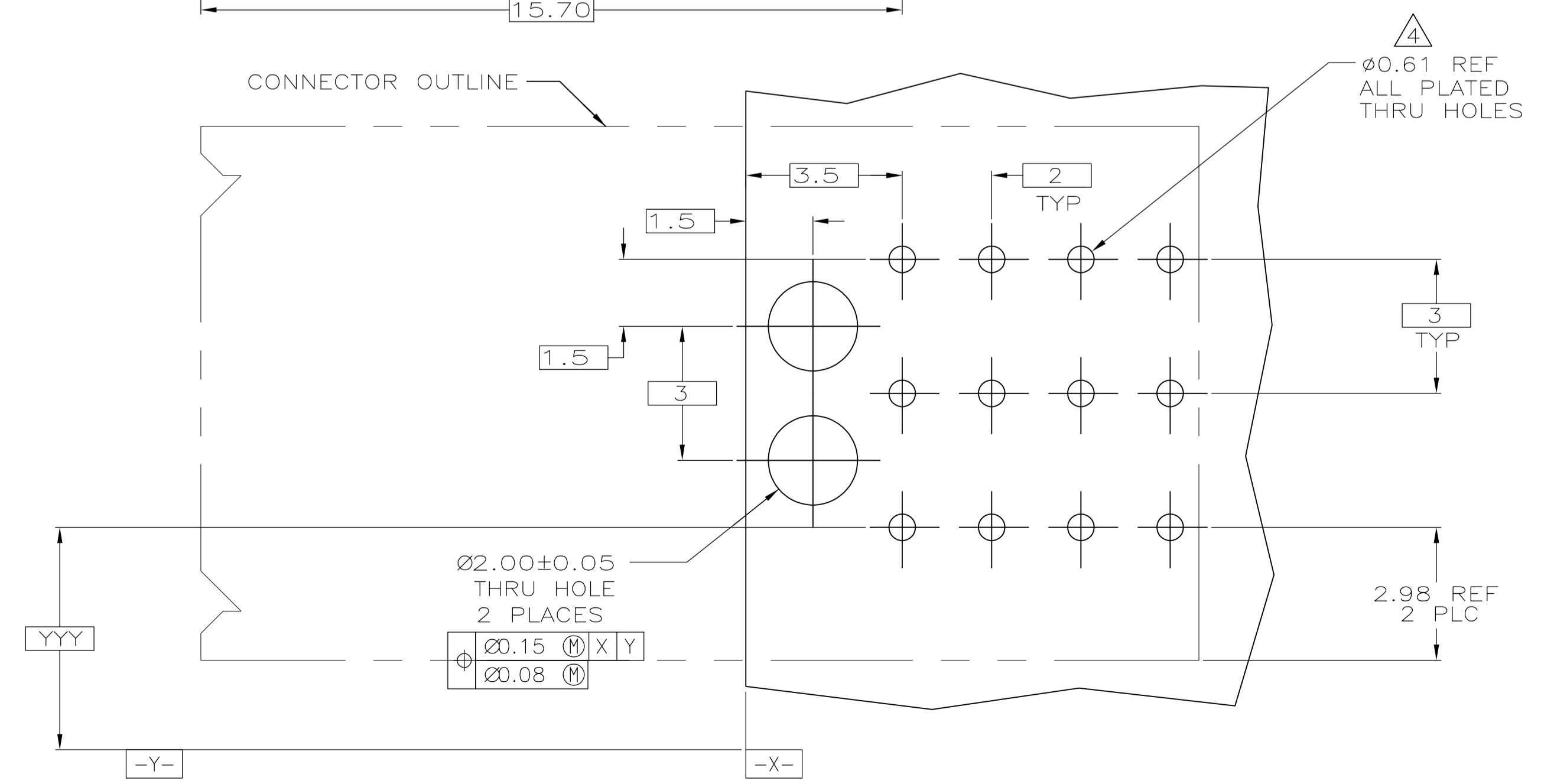
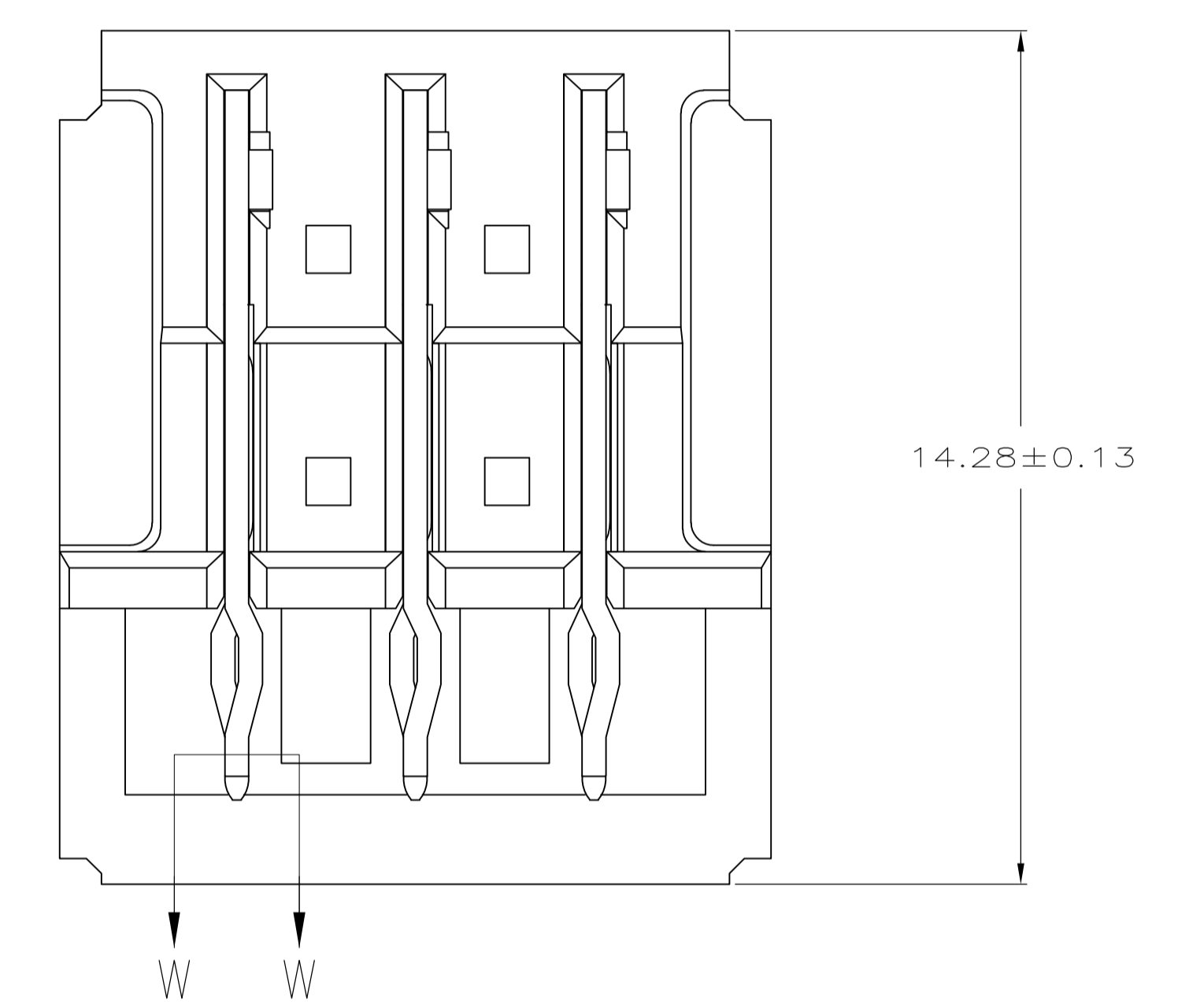
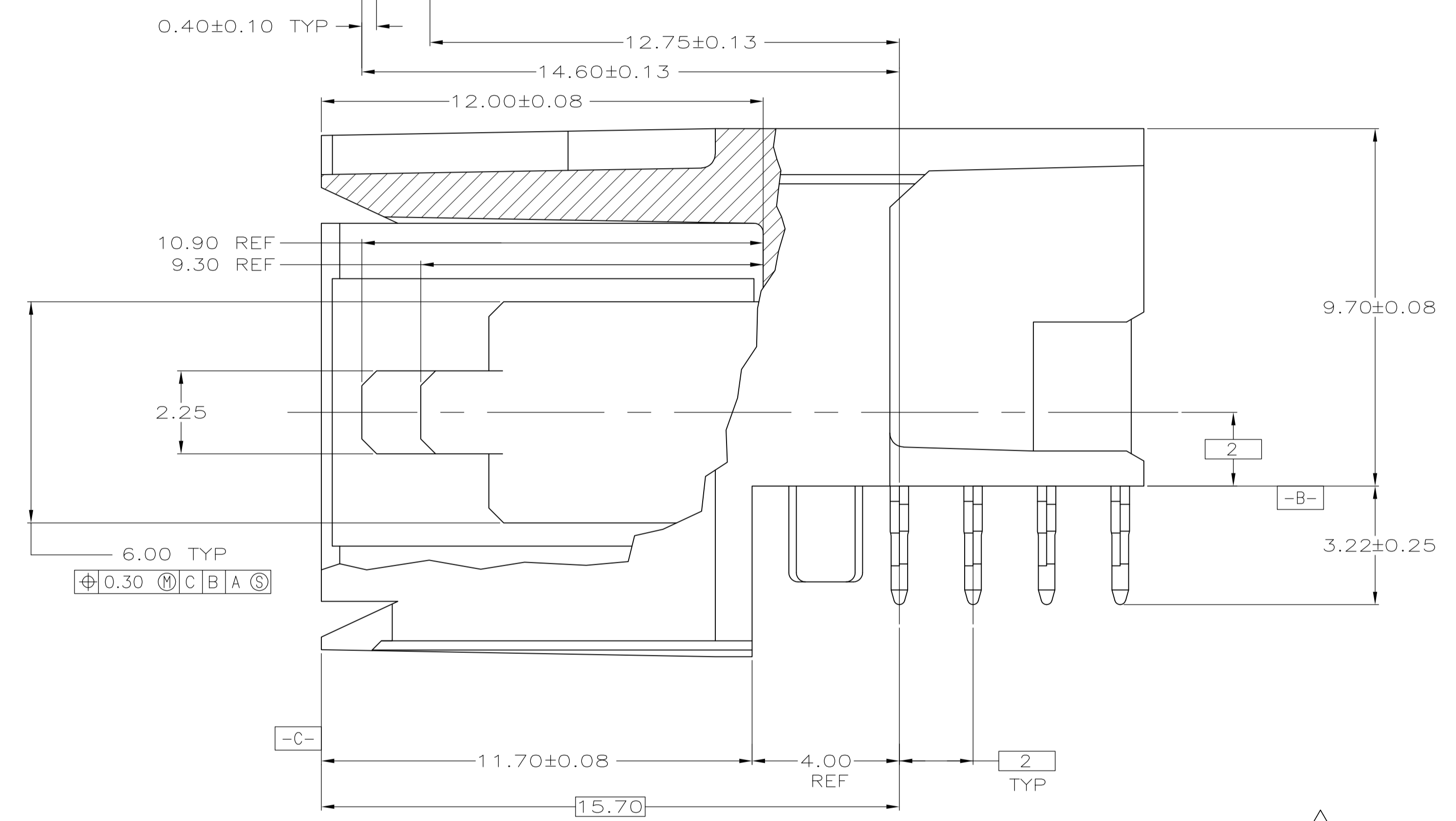
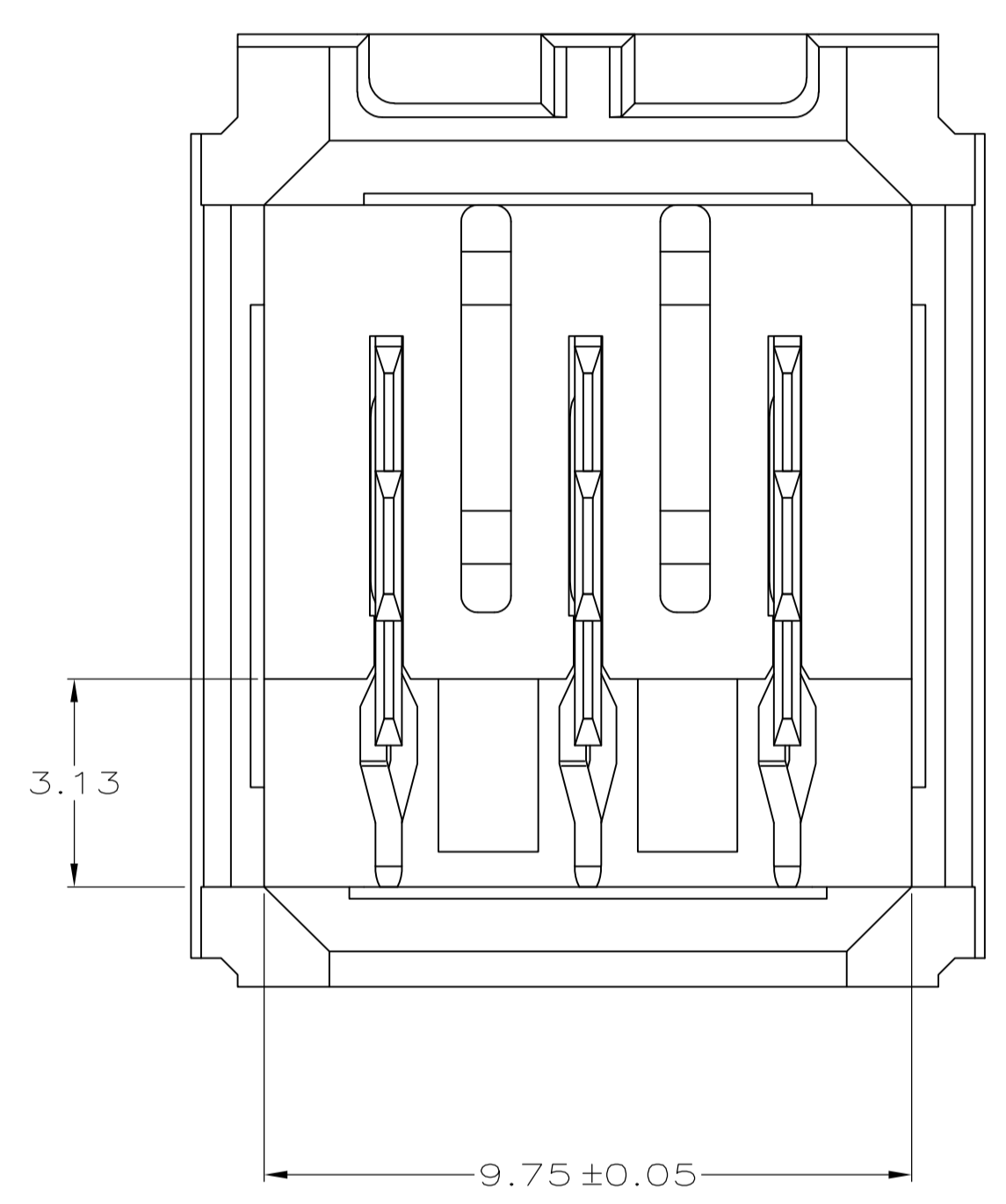


LOC		DIST		REVISIONS			
P	LTR	DATE	DMN	APVD			
B	REV PER ECO-09-017741	10AUG09	DH	DY			



- 1 MATERIAL: HOUSING: POLYESTER. COLOR: GRAY. UL 94V-0. CONTACT: PHOSPHOR BRONZE.
- 2 FINISH: CONTACT MATING AREA: 1.27 μ m MIN GOLD OR 0.08 μ m MIN GOLD OVER 0.76 μ m MIN PALLADIUM-NICKEL. ACTION PIN AREA: 0.5 μ m MIN TIN PLATE, ALL OVER 1.27 μ m MIN NICKEL UNDERPLATE.
- 3 FINISH: CONTACT LUBRICATION WITH BELLCORE APPROVED LUBRICANT. TECHNICAL REFERENCE: TR-NWT-001217 ISSUE 1, SEPTEMBER 1992.
- 4 REFERENCE APPLICATION SPEC 114-1103 FOR RECOMMENDED PLATED THRU HOLE DIAMETER AND PLATING THICKNESS.
- 5 CURRENT RATING 10A/CONTACT PER PRODUCT SPEC 108-1651.



RECOMMENDED PCB HOLE LAYOUT

5223962-1
 PART NUMBER

THIS DRAWING IS A CONTROLLED DOCUMENT.		DIN B CARDO 10DEC04	Tyco Electronics Corporation Harrisburg, PA 17105-3608
DIMENSIONS: mm		CHK R PATTERSON 10DEC04	
TOLERANCES UNLESS OTHERWISE SPECIFIED:		NAME R PATTERSON 10DEC04	ASSEMBLY, RIGHT ANGLE HEADER, W/ RETENTION PEGS, SEQUENCED, UNIVERSAL POWER MODULE
0 PLC	\pm -	SIZE	A1
1 PLC	\pm -	CODE	00779
2 PLC	\pm 0.13	DRAWING NO	5223962
3 PLC	\pm -	RESTRICTED TO	-
4 PLC	\pm -	WEIGHT	-
ANGLES	\pm -	CUSTOMER DRAWING	SCALE 10:1 SHEET 1 OF 1 REV B