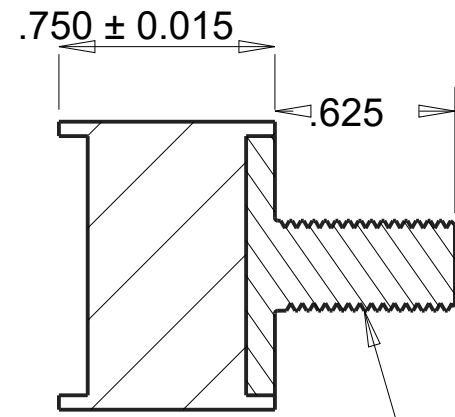


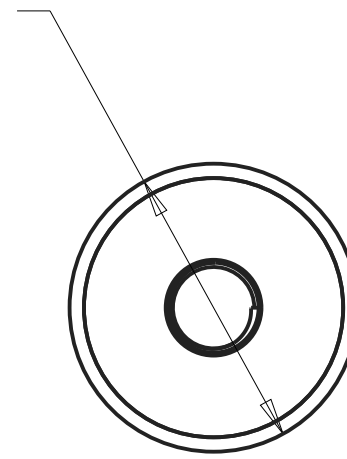


REVISIONS				
DRAWN	REV	DESCRIPTION	DATE	APPROVED
CP	01	INITIAL DESIGN	6/28/17	MS

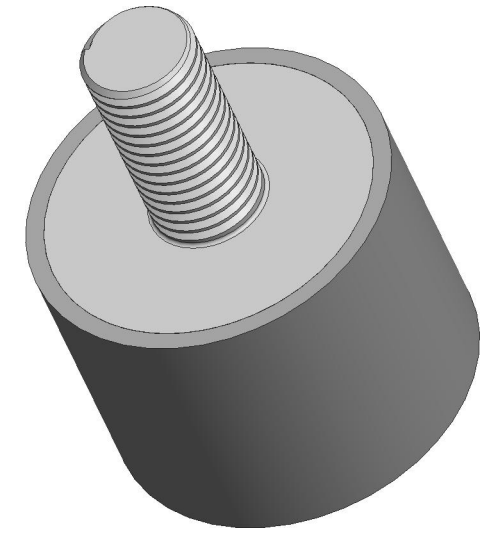


GROUP 4 MALE
INSERT #5/16"-18
UNC-2A

$\varnothing 1.000 \pm 0.015$



SCALE 1.500



NOTES:

- CONTACT AREAS MUST BE 100% BONDED.

INSERTS:

MALE INSERT P/N: 021-1415
MATERIAL: S.A.E 1018 STEEL

FOR COATING DETAILS, SEE INSERT DRAWING.

MATERIAL:		AEARO TECHNOLOGIES LLC * a 3M company		
ISOLOSS SL-20300	QUALITY CONTROL: MUST COMPLY WITH AEARO TECHONOLGIES LLC SUPPLIER QUALITY MANUAL REQUIREMENTS	TITLE		
UNITS: IN		SANDWICH MOUNT, GROUP 4, MALE-BLANK, ISOLOSS SL-20300		
	NOTES: ANY FEATURE NOT DIMENSIONED IN PRINT MUST BE VISIBLY PRESENT, UTILIZE 3D CAD FOR CREATION	SIZE	ITEM CODE	DWG NO.
		B		MB-400-UC31-SL20300