

THIS COPY IS PROVIDED ON A RESTRICTED BASIS AND IS NOT TO BE USED IN ANY WAY DETRIMENTAL TO THE INTERESTS OF PANDUIT CORP.

PART NUMBER	MATERIAL	WIDTH "A"	HEIGHT "B"	TAGS & TIES PER PKG.	LAMINATION SIDE	HEADER	HEADER COLOR	DESCRIPTION	LEGEND COLOR
PST-1	SLCT VINYL	2.00 ( 50.8 )	3.00 ( 76.2 )	10	FRONT ONLY	BLANK	BLANK	BLANK	BLANK
PST-2	SLCT VINYL	3.25 ( 82.6 )	5.75 ( 146.0 )	5	FRONT ONLY	BLANK	BLANK	BLANK	BLANK
PST-3	GMV5 AND SEZ-SNC VINYL	3.00 ( 76.2 )	5.75 ( 146.0 )	5	FRONT ONLY	DANGER	WHITE/RED & BLACK	SEE NOTE 2	BLACK/WHITE
PST-4	GMV5 AND SEZ-SNC VINYL	3.50 ( 88.9 )	5.75 ( 146.0 )	25	FRONT ONLY	BLANK	BLANK	BLANK	BLANK
PST-5	GMV5 AND SEZ-SNC VINYL	3.50 ( 88.9 )	5.75 ( 146.0 )	25	FRONT AND BACK	BLANK	BLANK	BLANK	BLANK
PST-12	GMV5 AND SEZ-SNC VINYL	3.00 ( 76.2 )	5.75 ( 146.0 )	5	FRONT ONLY	BLANK	BLANK	DO NOT THROW SYMBOL (SEE NOTE 3)	BLACK/WHITE

NOTES:  
1. MILLIMETER ARE IN ( ).

NOTE 2

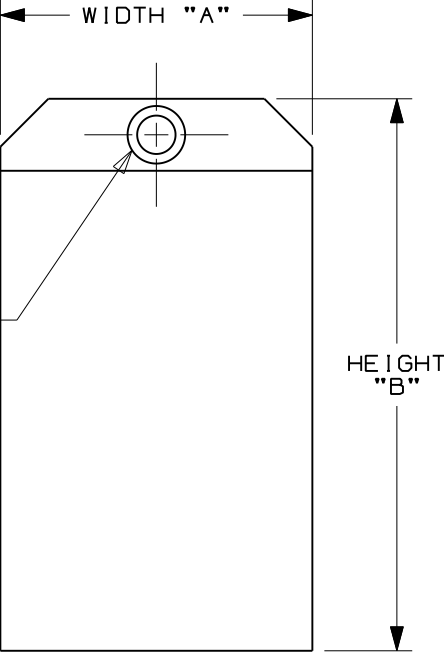
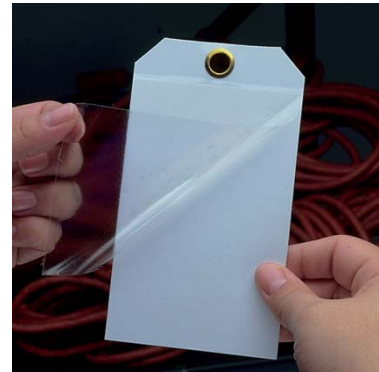
NOTE 3



Front PST-3 Back



Front PST-12 Back



3/8" GROMMET

HEIGHT "B"

CAD FILENAME/LAYERS		I00318LX_DC_C10679/00A	
<h1>PANDUIT</h1> CORP. TINLEY PARK, ILLINOIS			
CUSTOMER DRAWING PST - * INDOOR RIGID VINYL SAFETY TAG CARRIER AND PHOTO TAGS			
UNLESS OTHERWISE SPECIFIED, DIMENSIONAL TOLERANCES ARE: (.X) ± .075 (.XXX) ± .020 (.XX) ± .050 ANGLES ± 5°		UNLESS OTHERWISE SPECIFIED, ALL DIMENSIONS ARE GIVEN IN INCHES, THIRD ANGLE PROJECTION.	
DRAWN BY RVU	MAT'L; SEE TABLE	SCALE NTS	
DATE 4/4/08	CHK'D	DRAWING NO. C10679	DWG A SIZE

REV	DATE	BY	CHK	DESCRIPTION	ECN	R	CUST	SUP
0	4/4/08	RVU		DRAWING RELEASE.	5382	R		