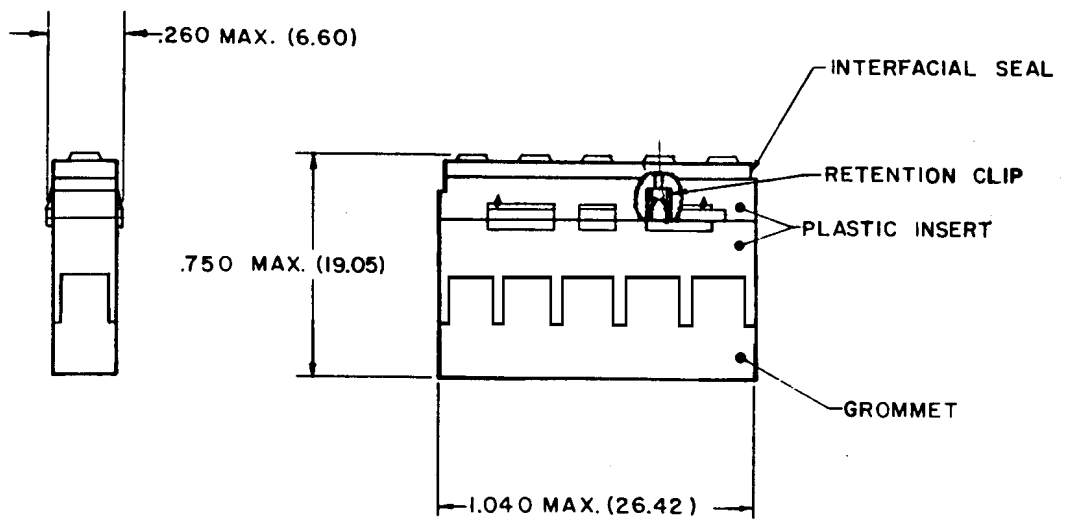
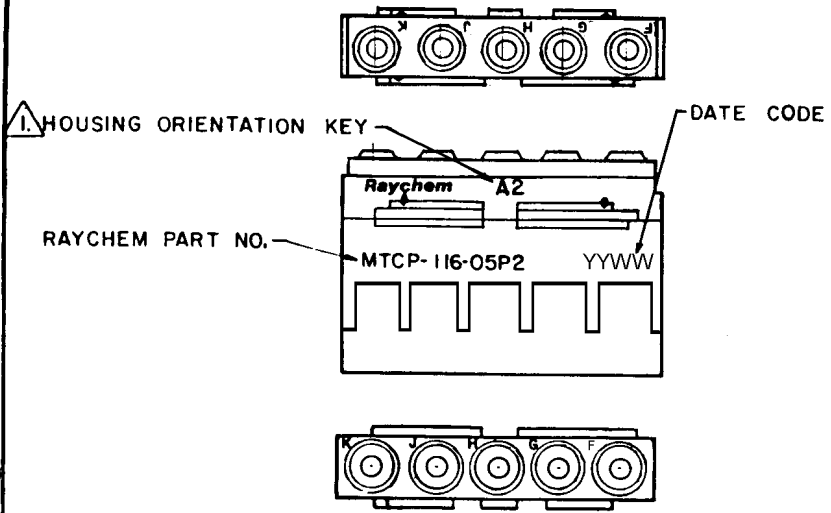


REVISIONS			
LTR	DESCRIPTION	DATE	APPROVED
B	RELEASED FOR PRODUCTION PER ECN T-013274	89 Nov. 29	93
C	REVISE PER DCR# T-22767	4/19/99	M.HIGGY



NOTES

- THIS INSERT IS DESIGNED FOR USE IN RAYCHEM CONNECTOR HOUSINGS MTC 100-JH1-XXX OR MTC 100-JH2-XXX (SEE RAYCHEM INFORMATION DRAWING D-659-0097 AND HOUSING SCD'S FOR FURTHER DETAILS)
- USE MIL-C-38999 SERIES 2 SIZE 16 CONTACTS OR EQUIVALENT. REFERENCE D-659-0097 FOR INSERTION/REMOVAL TOOLS, SEALING PLUGS AND CRIMP TOOLS WHEN APPLICABLE. THESE COMPONENTS ARE TO BE ORDERED SEPARATELY.
- GROMMET DESIGNED TO SEAL ON WIRES HAVING AN INSULATION DIAMETER OF .065 IN. (1.65 MM) TO .109 IN. (2.77 MM)
- PERFORMANCE: THIS PRODUCT MEETS THE REQUIREMENTS OF RAYCHEM SPECIFICATION D-6115
- MATERIALS:
  - A) PLASTIC INSERT HIGH GRADE POLYARYLENE THERMOPLASTIC
  - B) GROMMET FLUOROSILICONE PER MIL-R-25988
  - C) INTERFACIAL SEAL FLUOROSILICONE PER MIL-R-25988
  - D) RETENTION CLIP BERYLLIUM COPPER 172 PER QQ-C-533

WEIGHT: 0.007 lbs [ 2.980 Grams ] MAXIMUM.

If this document is printed it becomes uncontrolled.  
Check with the web for latest revision.

SPECIFICATION CONTROL DRAWING

DRAWN	ALEXANDER	<b>Raychem</b> RAYCHEM CORPORATION 300 CONSTITUTION DRIVE MENLO PARK, CALIFORNIA 94025		
CHECKED	JS			
APPROVED	Blain 10-12-84	TITLE INSERT, PIN, SECONDARY 5 #16 CAVITIES POWER BLOCK CONNECTOR TEMPERATURE RATING 125°C MTC SERIES		
APPROVED	Xammun 10-24-84			
CAD NAME: T22767.TIF		SIZE	CODE IDENT. NO.	DWG. NO.
UNLESS OTHERWISE SPECIFIED DIMENSIONS ARE IN INCHES. METRIC DIMENSIONS ARE IN PARENTHESIS		A	06090	MTCP-116-05P2
		DO NOT SCALE THIS DRAWING		WEIGHT