

4

3

2

1

THIS DRAWING IS UNPUBLISHED. RELEASED FOR PUBLICATION
 © COPYRIGHT BY TYCO ELECTRONICS CORPORATION. ALL RIGHTS RESERVED.

| LOC | DIST | REVISIONS | | | | | |
|-----|------|-----------|-----|-------------|-----------|-----|------|
| J | | P | LTR | DESCRIPTION | DATE | DWN | APVD |
| | | A | | RELEASED | 17APR2008 | M.K | T.Y |

PANEL CUT DIMENSIONS(VIEW B)

HOUSING

SIGNAL CONTACT

SEC. X-X

HOUSING

SIGNAL CONTACT

SEC. Y-Y

NOTE
 1 GENERAL TOLERANCE : ±0.3, ±3°
 MATERIAL
 SIGNAL CONTACT : BRASS
 HOUSING : PBT G.F, UL94V-0, COLOR:BLACK

1981536-1:AS SHOWN

0.8/1.0/1.2
 DIMENSION "A"
 (PANEL THICKNESS)

| | | | | |
|---|--|-------------------------|--|---------------|
| THIS DRAWING IS A CONTROLLED DOCUMENT. | | DWN M.KATO 17APR2008 | Tyco Electronics AMP K.K. Kawasaki, Japan | |
| DIMENSIONS: 単位: 概 mm | | CHK T.YAMADA 17APR2008 | REC. ASS'Y FOR 1.5mm PITCH MINI CT SNAP-FIT HYBRID DRAWER CONNECTOR 4-14Pos. | |
| TOLERANCES UNLESS OTHERWISE SPECIFIED: 一般公差 | | APVD T.YAMADA 17APR2008 | NAME 名称 | RESTRICTED TO |
| 0 PLC ± | | PRODUCT SPEC 製品規格 | SIZE CAGE CODE DRAWING NO 番号 | |
| 1 PLC ± | | 108-78473 | A3 00779 C-1981536 | |
| 2 PLC ± | | APPLICATION SPEC 取付適用規格 | SCALE 尺度 2:1 SHEET 1 OF 2 REV A | |
| 3 PLC ± | | WEIGHT | CUSTOMER DRAWING | |
| 4 PLC ± | | | | |
| ANGLES ± | | | | |
| FINISH 仕上 | | | | |
| MATERIAL 材料 | | | | |

AMP 1470-19 REV 31MAR2000

THIS DRAWING IS UNPUBLISHED.

RELEASED FOR PUBLICATION

© COPYRIGHT BY TYCO ELECTRONICS CORPORATION. ALL RIGHTS RESERVED.

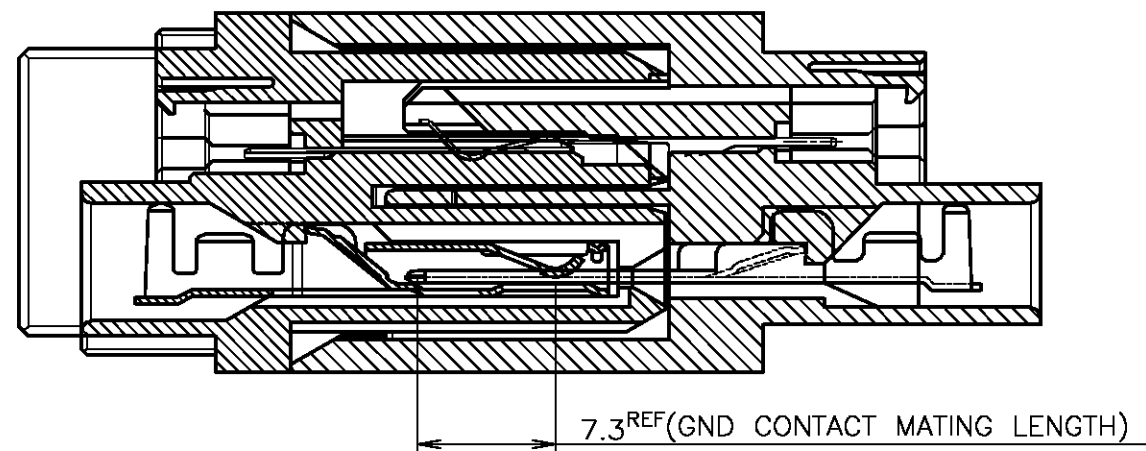
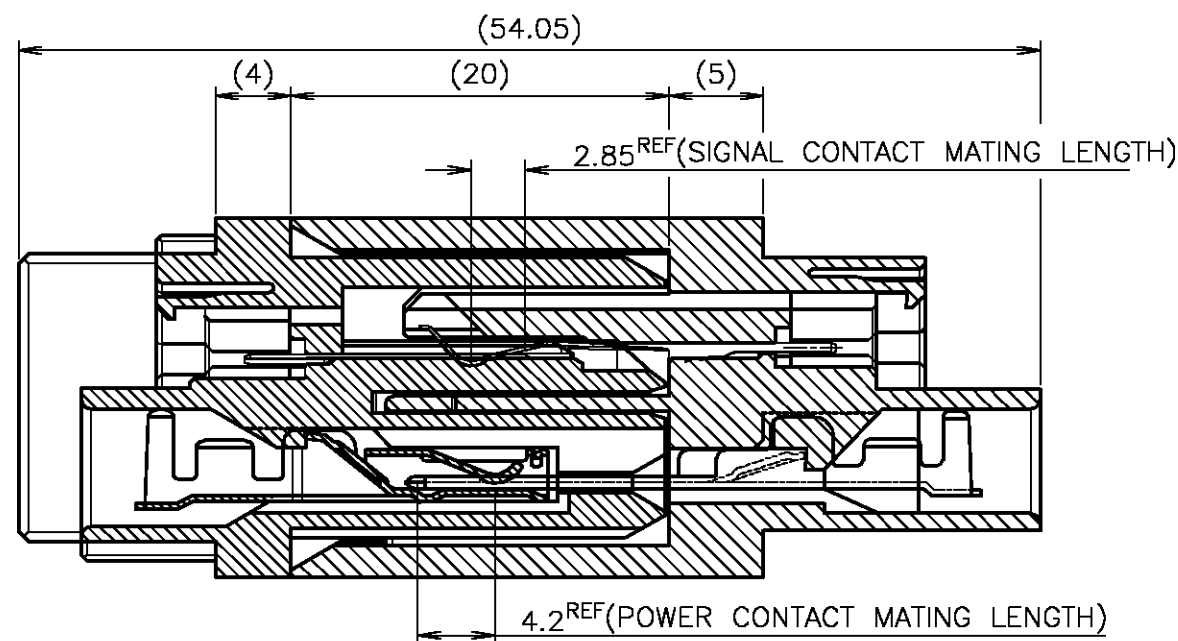
LOC J DIST

REVISIONS

変更

| P | LTR | DESCRIPTION | DATE | DWN | APVD |
|---|-----|-------------|------|-----|------|
| - | - | SEE SHEET 1 | - | - | - |

DIMENSIONS ARE REFERENCE ONLY.



| | | | | |
|---|--------------|-------------------------------|--|---------------|
| THIS DRAWING IS A CONTROLLED DOCUMENT. | | DWN | Tyco Electronics AMP K.K. Kawasaki, Japan | |
| DIMENSIONS: 単位: 桁 mm | | CHK | NAME 名称 REC. ASS'Y FOR 1.5mm PITCH MINI CT SNAP-FIT HYBRID DRAWER CONNECTOR | |
| TOLERANCES UNLESS OTHERWISE SPECIFIED: 一般公差 | | APVD | PRODUCT SPEC 製品規格 | |
| 0 PLC ± 1 PLC ± 2 PLC ± 3 PLC ± 4 PLC ± ANGLES ± | | APPLICATION SPEC 取付適用規格 | SIZE | CAGE CODE |
| MATERIAL 材料 | FINISH 仕上 | WEIGHT | A3 | 00779 |
| CUSTOMER DRAWING | | DRAWING NO 番号 C-1981536 | | RESTRICTED TO |
| | | SCALE 尺度 | NTS | SHEET 2 OF 2 |
| | | | | REV A |