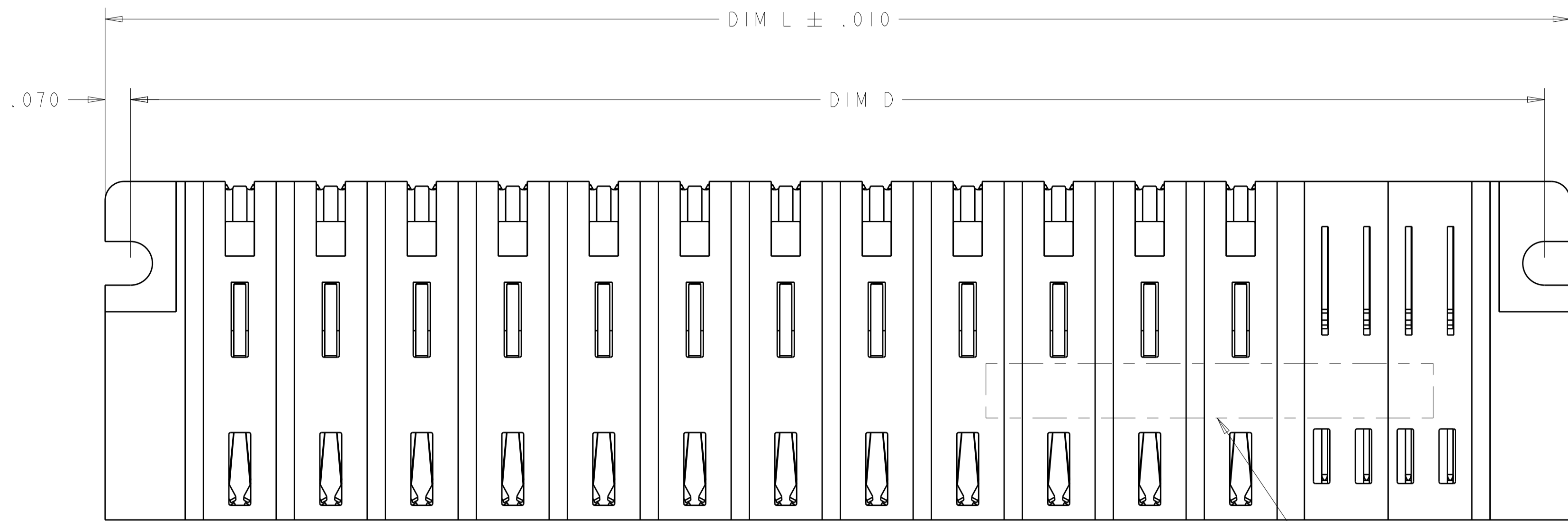
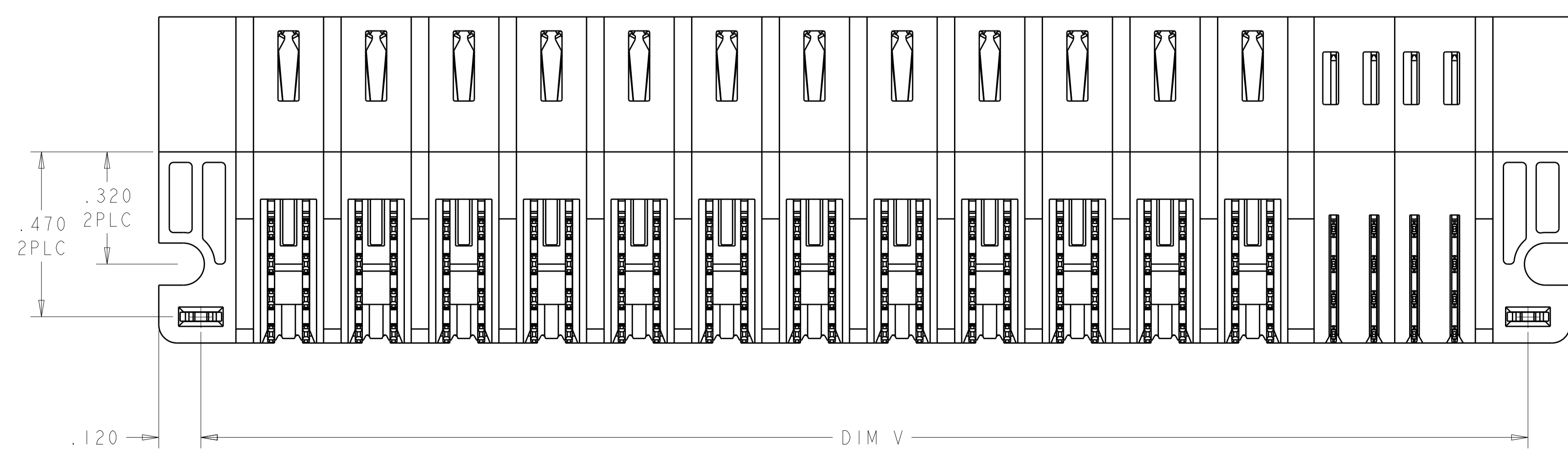
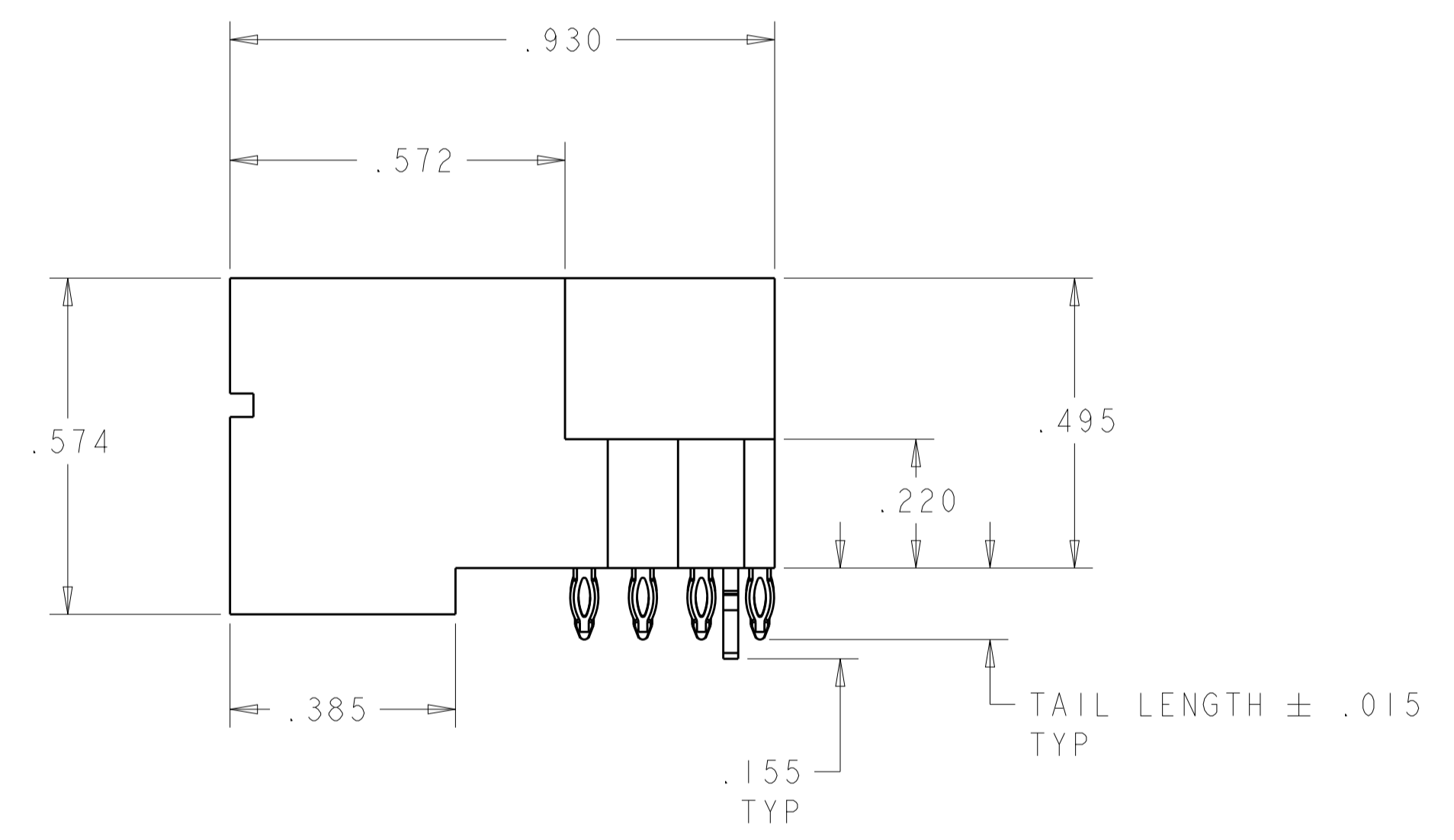
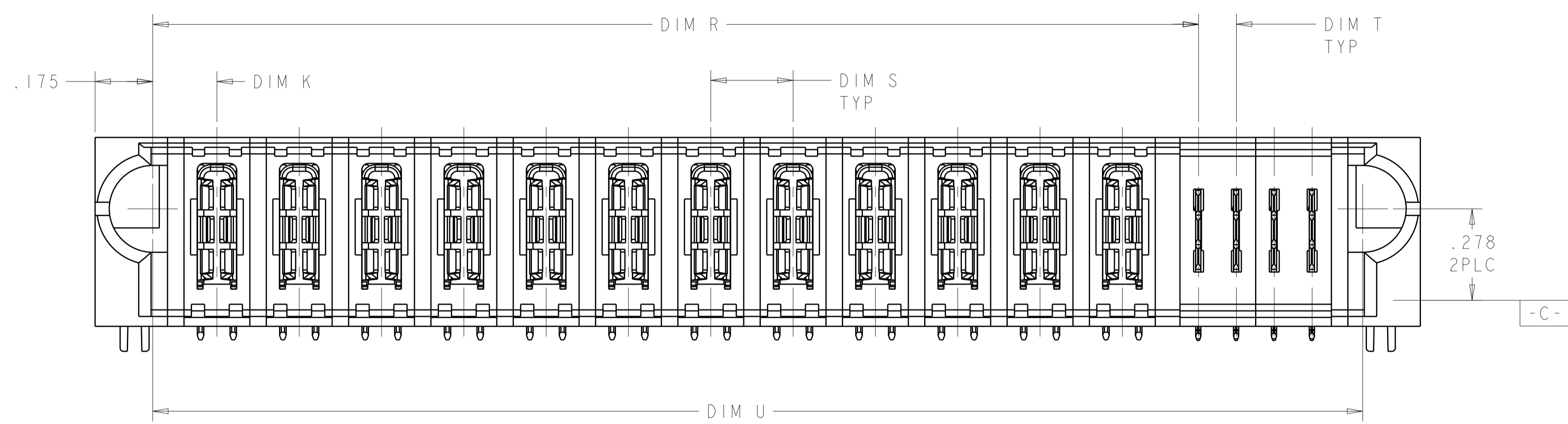


LOC	DIST	REVISIONS					
ES	00	P	LTN	DESCRIPTION	DATE	DWN	APVD
		A4		REV PER ECR-11-012858	21JUN2011	AY	SZ
		A6		ADDED NEW DASH NUMBER -9	21MAR2012	CZ	SZ
		A9		ADD NEW DASH NUMBER 1-1	19APR2013	CZ	SZ



- 1 "AMP", PART NUMBER, AND DATECODE TO BE MARKED IN AREA SHOWN. PARTS UNDER 2.00 LONG MAY BE MARKED ON BOTH SIDES.
- 2 MATERIAL: HOUSING - GLASS FILLED HIGH TEMP THERMO PLASTIC, BLACK, UL94 V-0
SIGNAL CONTACT - COPPER ALLOY
POWER CONTACT - HIGH CONDUCTIVITY COPPER ALLOY
- 3 CONTACT PLATING: NOBLE METAL PLATING ON CONTACT FUNCTIONAL AREA OF POWER AND SIGNAL CONTACTS
- 4 MECHANICAL CONNECTOR KEEP OUT ZONE.
- 5 DATUM AND BASIC DIMENSIONS ESTABLISHED BY CUSTOMER.
- 6 PCB - HOLE DIAMETERS ARE FINISHED HOLE SIZE.
- 7 PCB - .0453±.0010 DRILLED HOLES PLATED WITH .0003 MIN Sn OVER .001 TO .003 Cu PLATING TO ACHIEVE A .040 DIA HOLE.
- 8 VARIABLE DIMENSION SHOWN ON TABLE.
- 9 HOLD DOWN IS OPTIONAL AND PLEASE REFER TO PART NUMBER ON TABLE FOR SPECIFIED FOLLOW PAGES



DIM T	DIM V	DIM R	DIM U	DIM S	DIM D	DIM L	DIM K	DESCRIPTION	PART NUMBER
.155	.660	.1025	.550	-	.760	.900	-	4LP	1-6450843-1
.115	.530	.1525	.420	-	.630	.770	-	2LP	6450843-9
-	1.450	-	1.340	.200	1.550	1.690	.170	6HDP	6450843-8
-	1.600	-	1.490	.200	1.700	1.840	.145	7HDP	6450843-7
-	2.300	-	2.190	.300	2.400	2.540	.195	7ACP	6450843-6
-	2.200	-	2.090	.200	2.300	2.440	.145	10P	6450843-5
-	1.200	-	1.090	.250	1.300	1.440	.170	4P	6450843-3
-	2.650	-	2.540	8	2.750	2.890	.145	12P	6450843-2

THIS DRAWING IS A CONTROLLED DOCUMENT. DWN: HESPER L11 12JUN2008
CHK: SUNY ZHAO 12JUN2008

DIMENSIONS: INCHES. TOLERANCES UNLESS OTHERWISE SPECIFIED:
 0 PLC ±.01
 1 PLC ±.01
 2 PLC ±.01
 3 PLC ±.005
 4 PLC ±.002
 ANGLES ±.020

MATERIAL: . FINISH: *

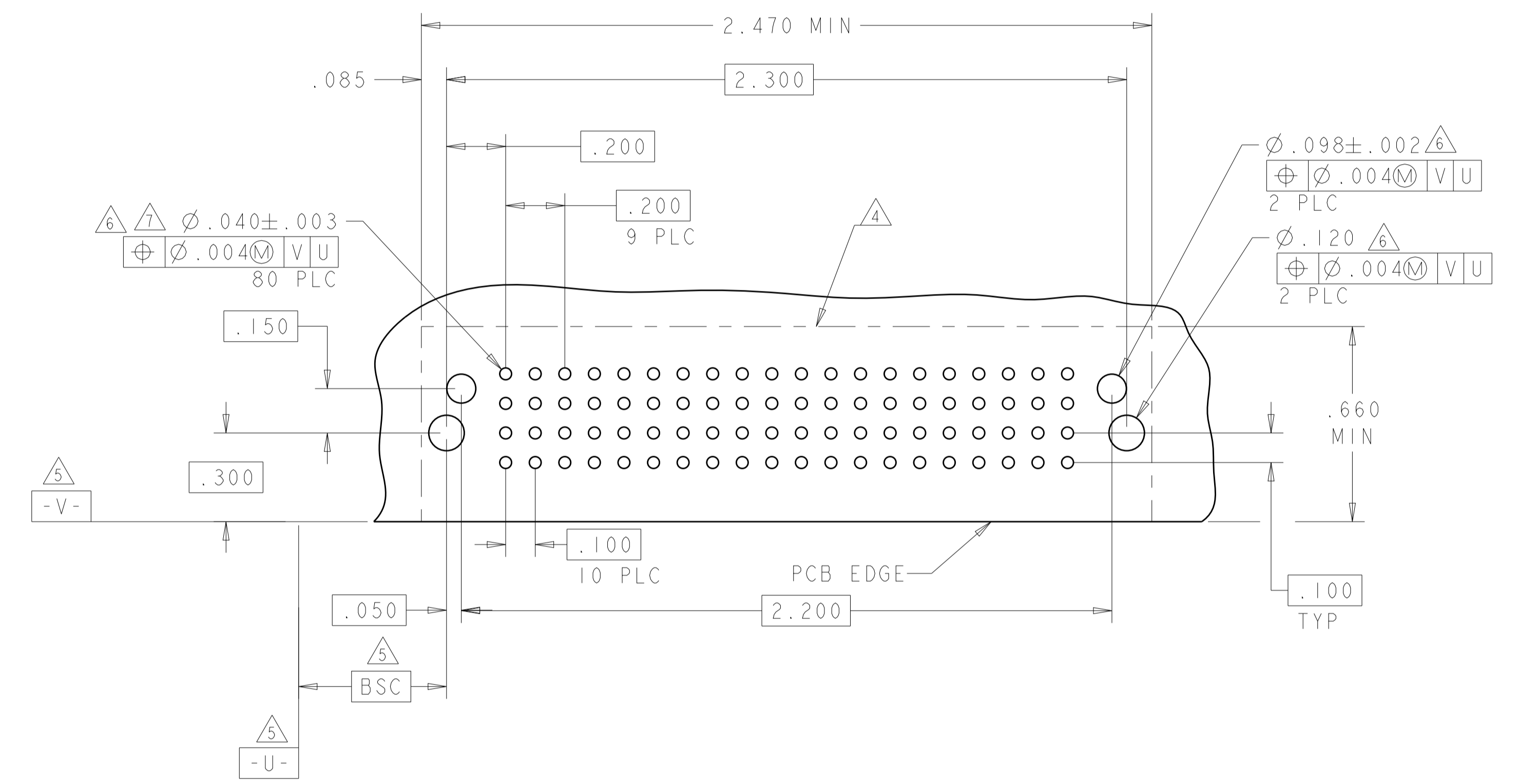
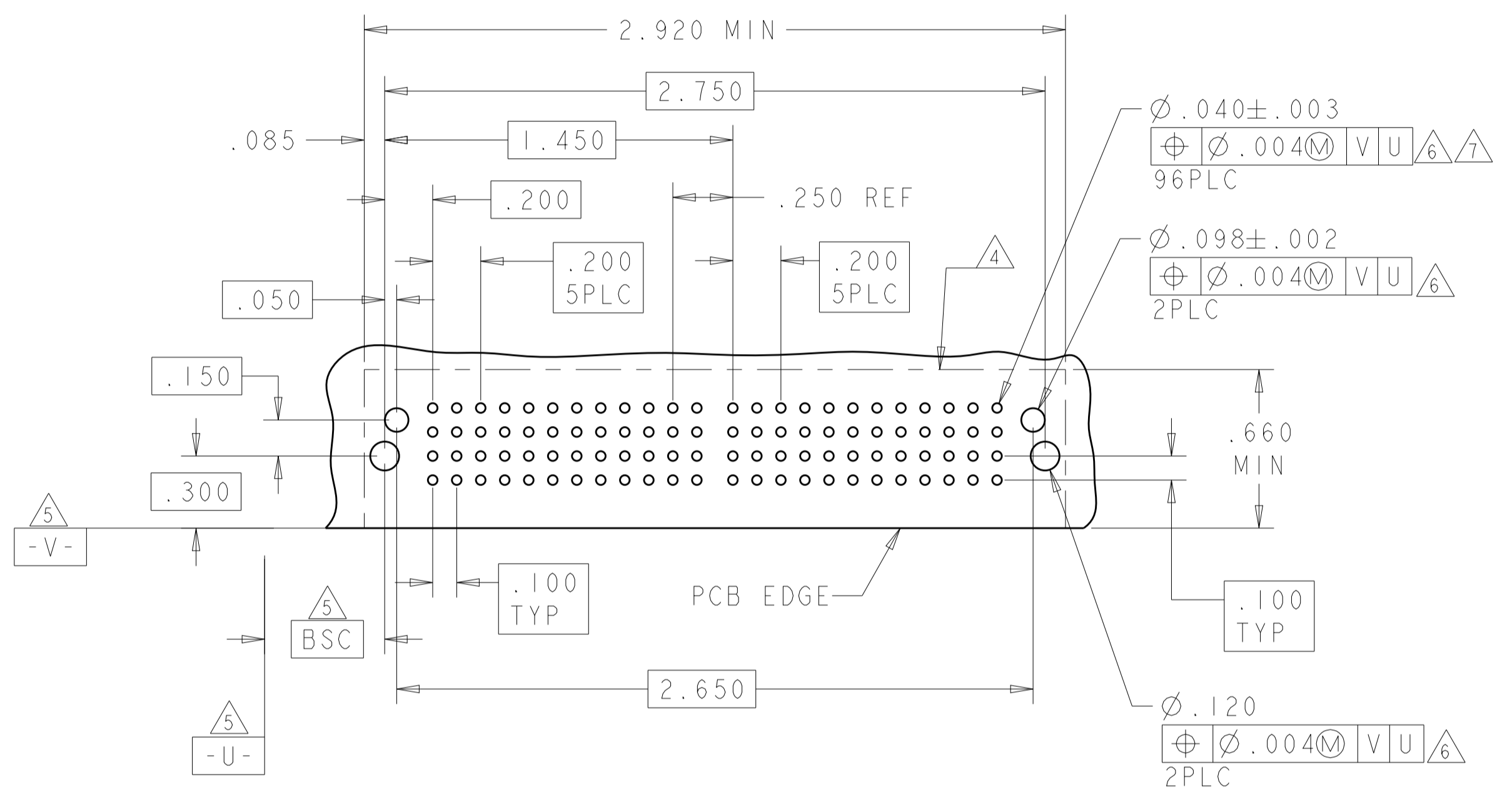
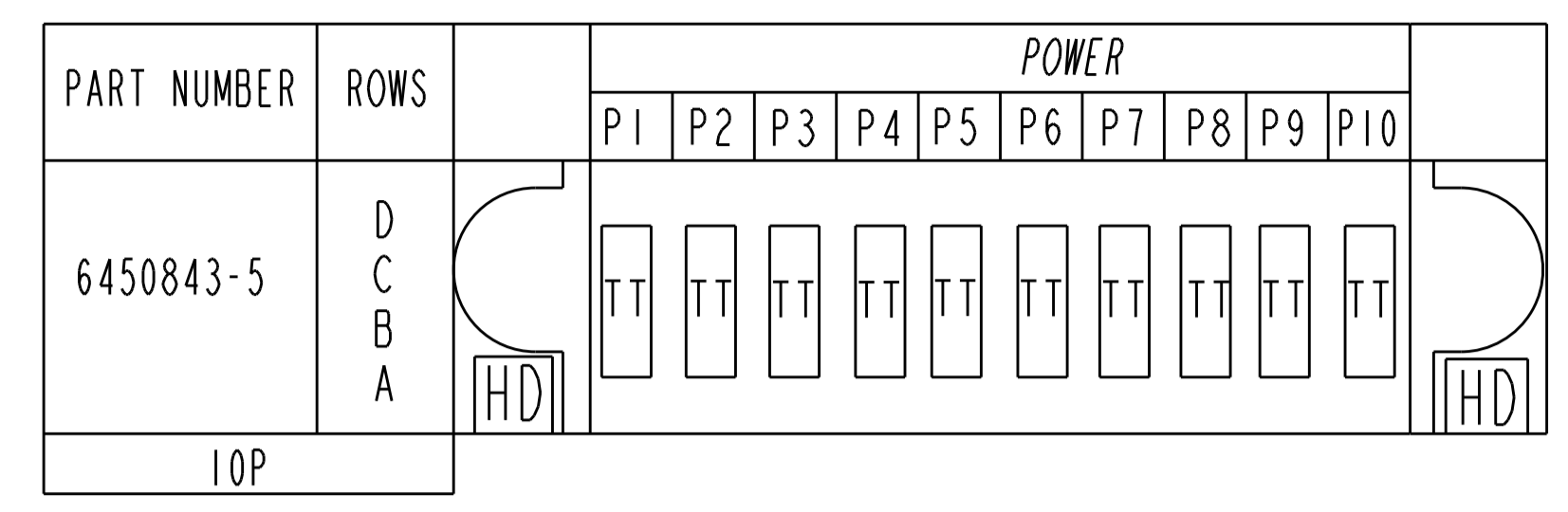
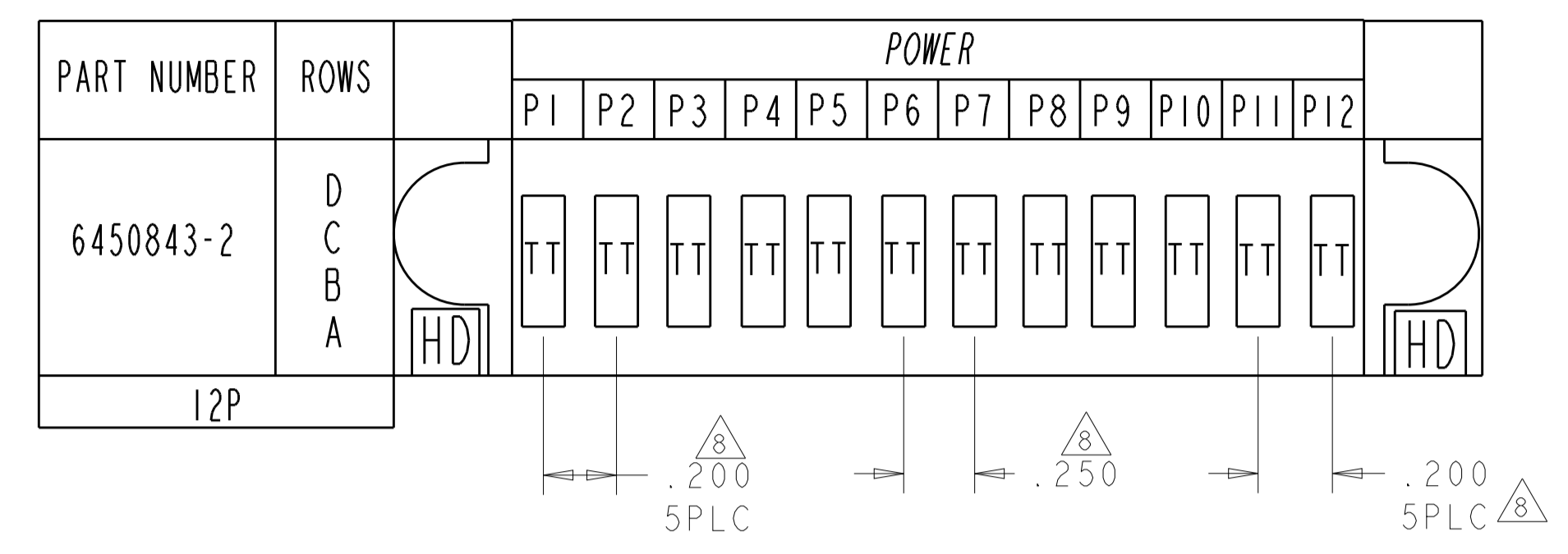
APVD: SUNY ZHAO
 PRODUCT SPEC: 108-2292
 APPLICATION SPEC: 114-13251
 WEIGHT: -
 CUSTOMER DRAWING

NAME: SUNY ZHAO
 RIGHT ANGLE HEADER W/ LP CONTACTS AND SHORT END MODULES MULTI-BEAM XLE
 SIZE: A100779
 CAGE CODE: 6450843
 SCALE: 4:1 SHEET 1 OF 5 REV: A9

TE Connectivity

LOC	DIST	REV	DATE	BY	APPD
ES	00				

REVISIONS		DATE	BY	APPD
-	SEE SHEET 1	-	-	-



DESCRIPTION	IDENTIFIER
HOLD DOWN	HD
.120 PRESS FIT LOW POWER CON, STD	LT
.120 PRESS FIT POWER CON	TT

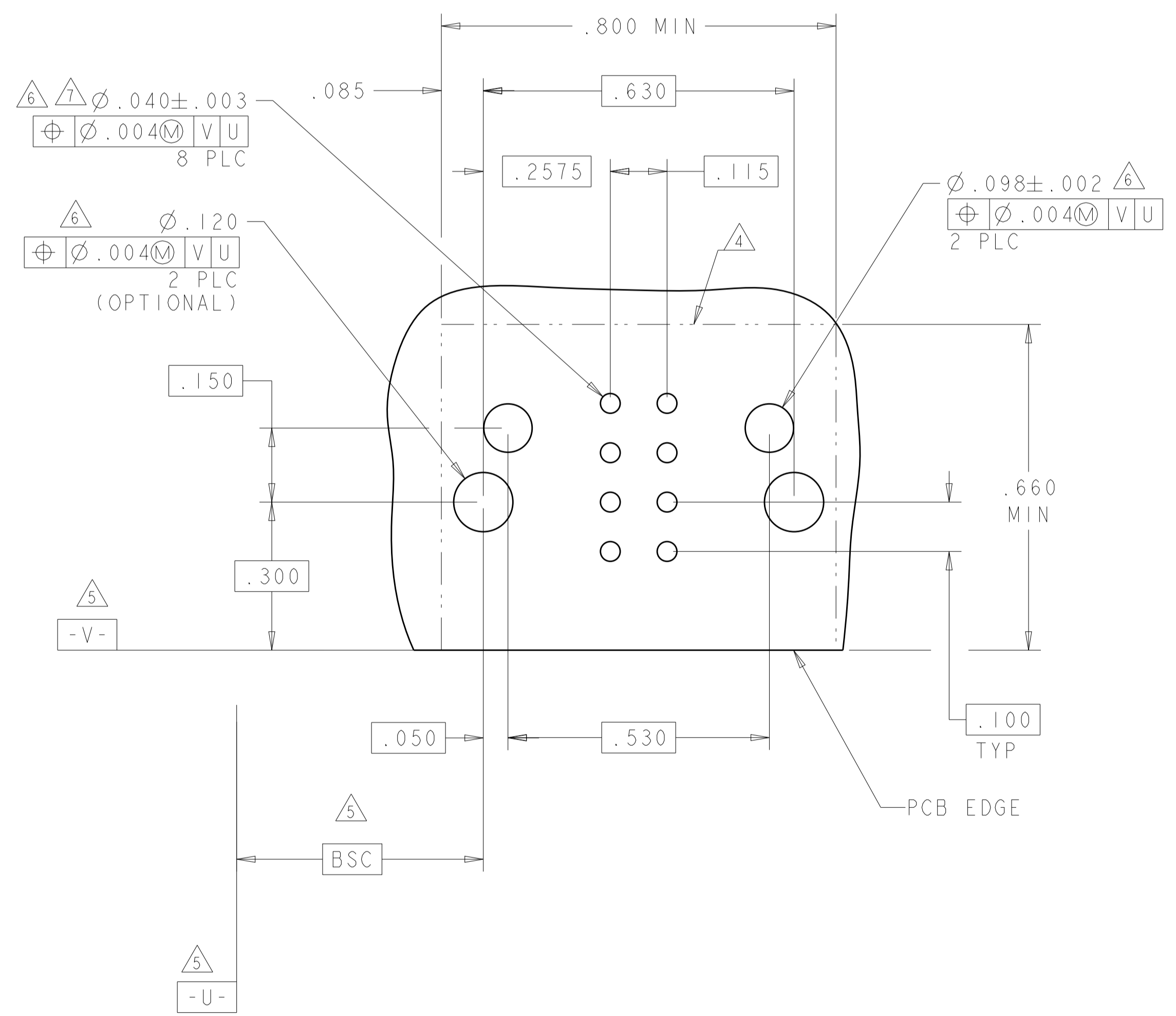
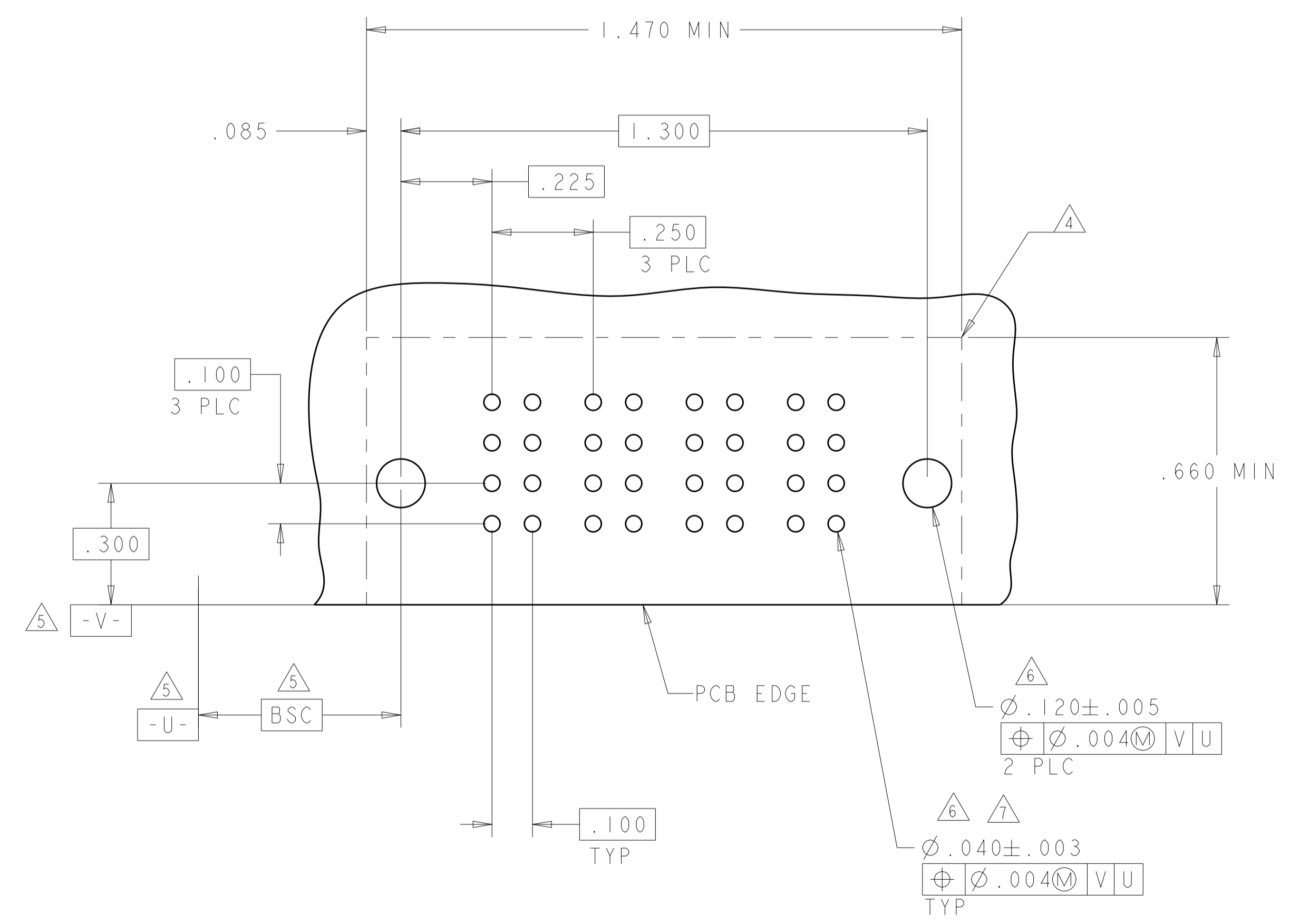
THIS DRAWING IS A CONTROLLED DOCUMENT.		OWN: HESPER L11 12JUN2008	 TE Connectivity
DIMENSIONS: INCHES		CHK: SUNY ZHAO 12JUN2008	
TOLERANCES UNLESS OTHERWISE SPECIFIED:		APVD: SUNY ZHAO	NAME: RIGHT ANGLE HEADER W/ LP CONTACTS AND SHORT END MODULES MULTI-BEAM XLE
0 PLC ±. 2 PLC ±.01 3 PLC ±.01 4 PLC ±.005 5 PLC ±.002 ANGLES ±.020		PRODUCT SPEC: 108-2292	SIZE: 114-13251
MATERIAL: -		APPLICATION SPEC: 114-13251	RESTRICTED TO: -
FINISH: -		WEIGHT: -	SCALE: 4:1
CUSTOMER DRAWING		SIZE: A1	SHEET 2 OF 5
		REV: A9	

LOC	DIST	REVISIONS			
P	LTN	DESCRIPTION	DATE	DMN	APVD
ES	00	SEE SHEET 1			

PART NUMBER	ROWS	POWER			
		P1	P2	P3	P4
6450843-3	D C B A	TT	TT	TT	TT
4P					

PART NUMBER	ROWS	POWER	
		LP1	LP2
6450843-9	D C B A	LT	LT
2 LP		HD	HD

(A5)



THIS DRAWING IS A CONTROLLED DOCUMENT.		DMN: HESPER LLI 12JUN2008	 TE Connectivity
DIMENSIONS: INCHES		CHK: SUNY ZHAO 12JUN2008	
TOLERANCES UNLESS OTHERWISE SPECIFIED: 0 PLC ±. 1 PLC ±.01 2 PLC ±.01 3 PLC ±.005 4 PLC ±.002 ANGLES ±.2°		APVD: SUNY ZHAO	NAME: RIGHT ANGLE HEADER W/ LP CONTACTS AND SHORT END MODULES MULTI-BEAM XLE
MATERIAL: -		FINISH: -	PRODUCT SPEC: 108-2292
SCALE: 4:1		WEIGHT: -	APPLICATION SPEC: 114-13251
SHEET 4 OF 5		CUSTOMER DRAWING	RESTRICTED TO: A100779C=6450843
REV: A9		DATE: 12JUN2008	

