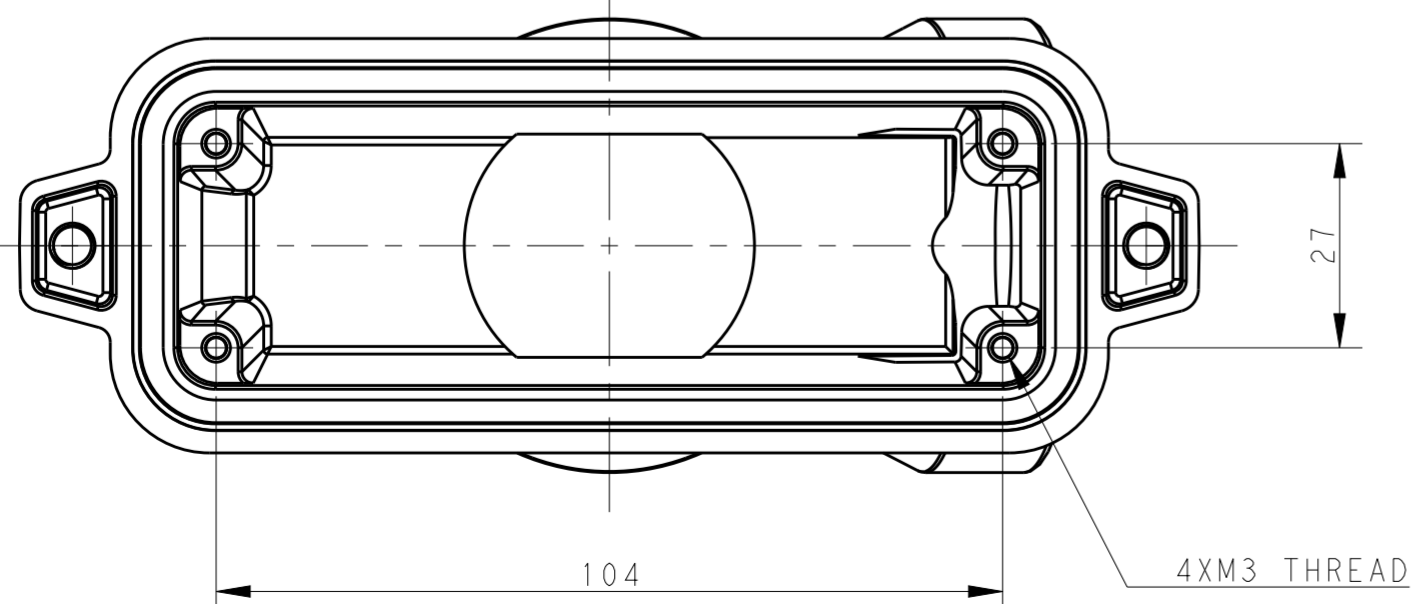
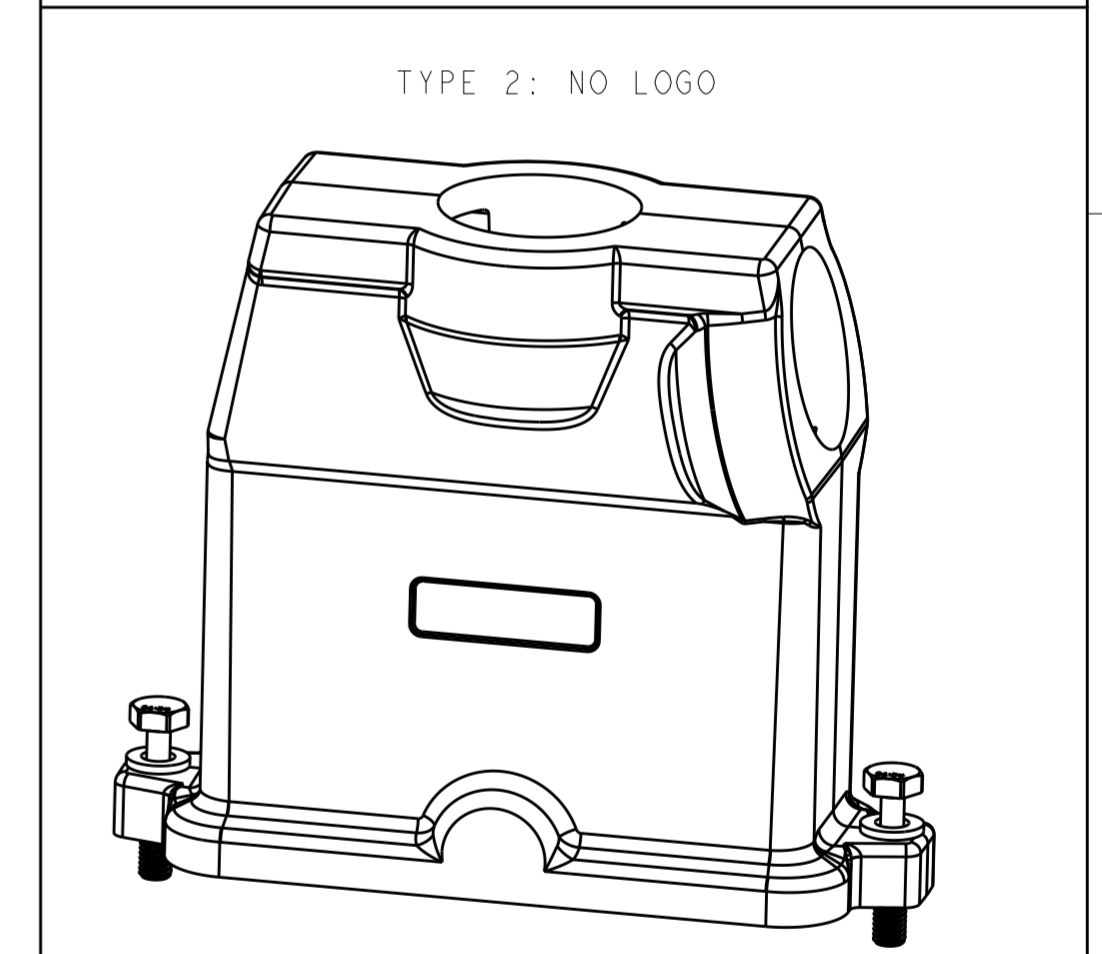
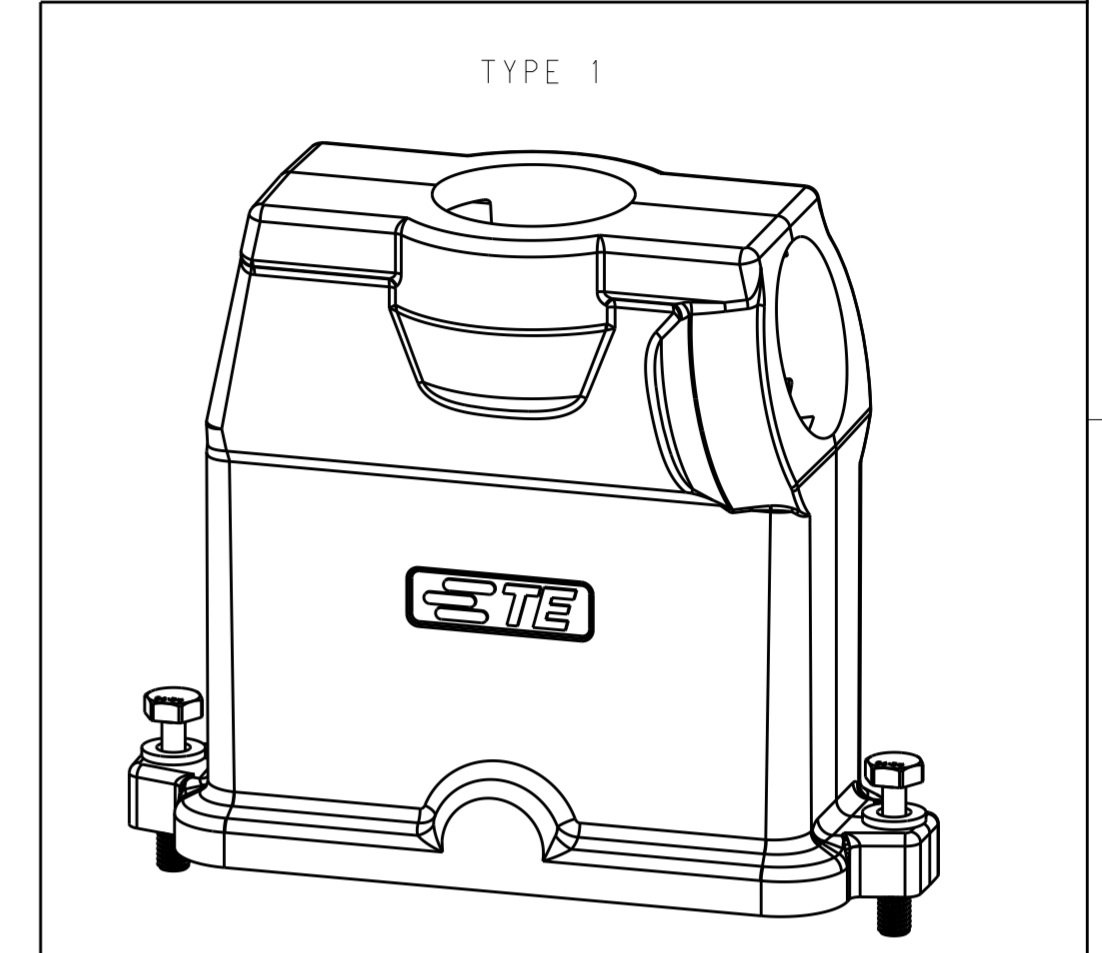
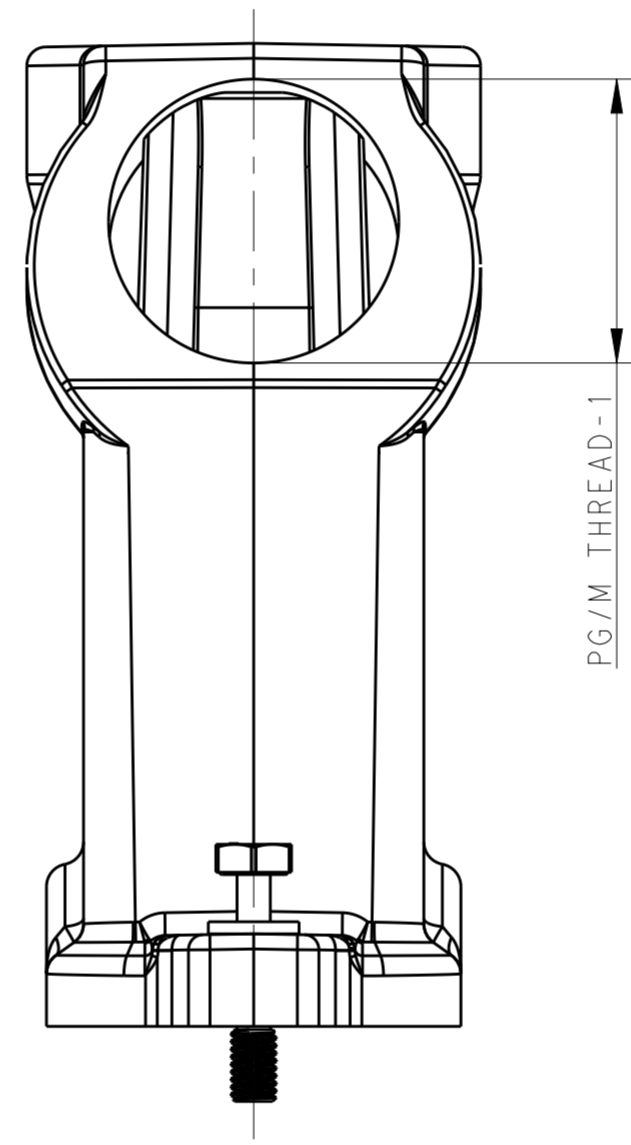
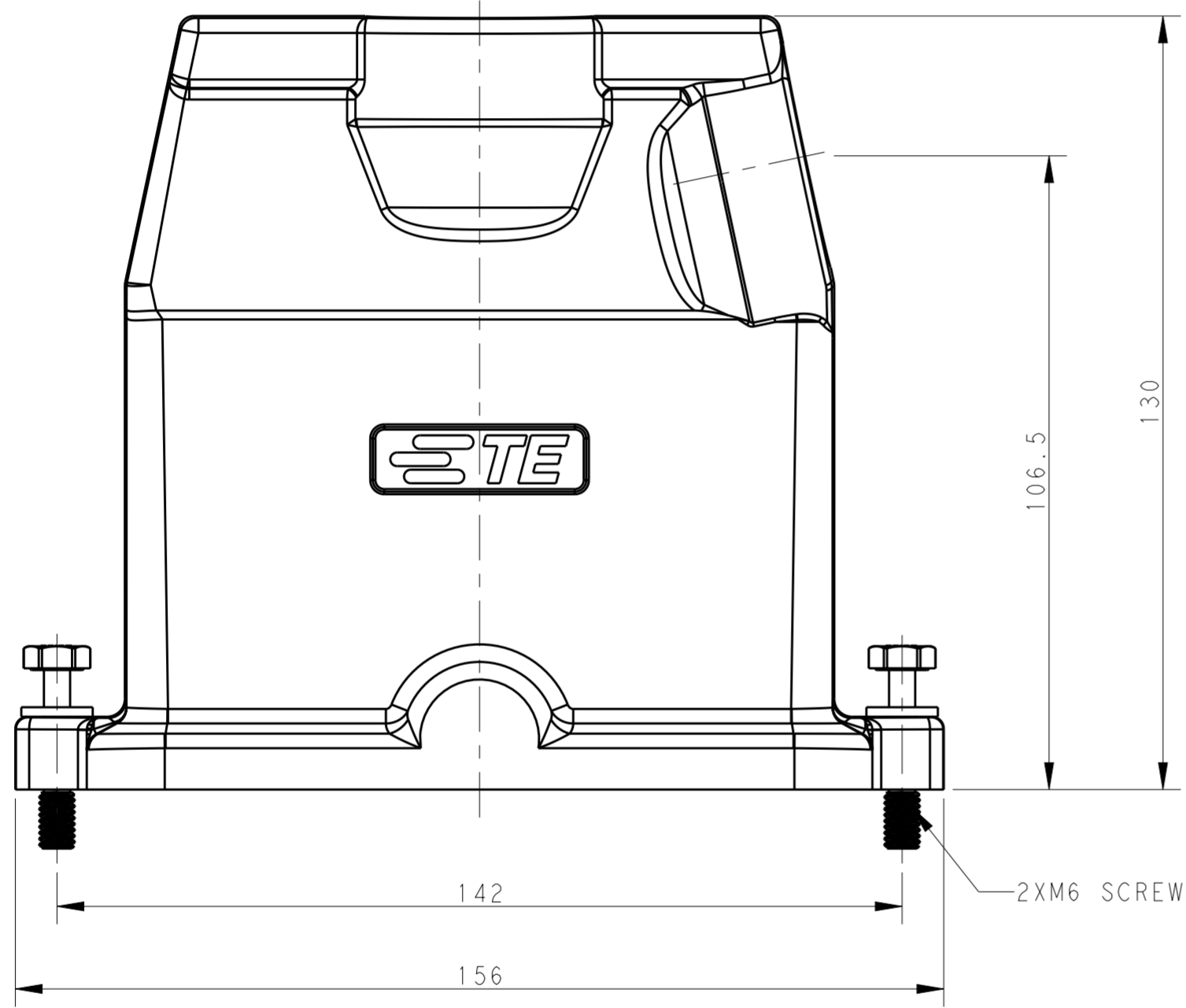
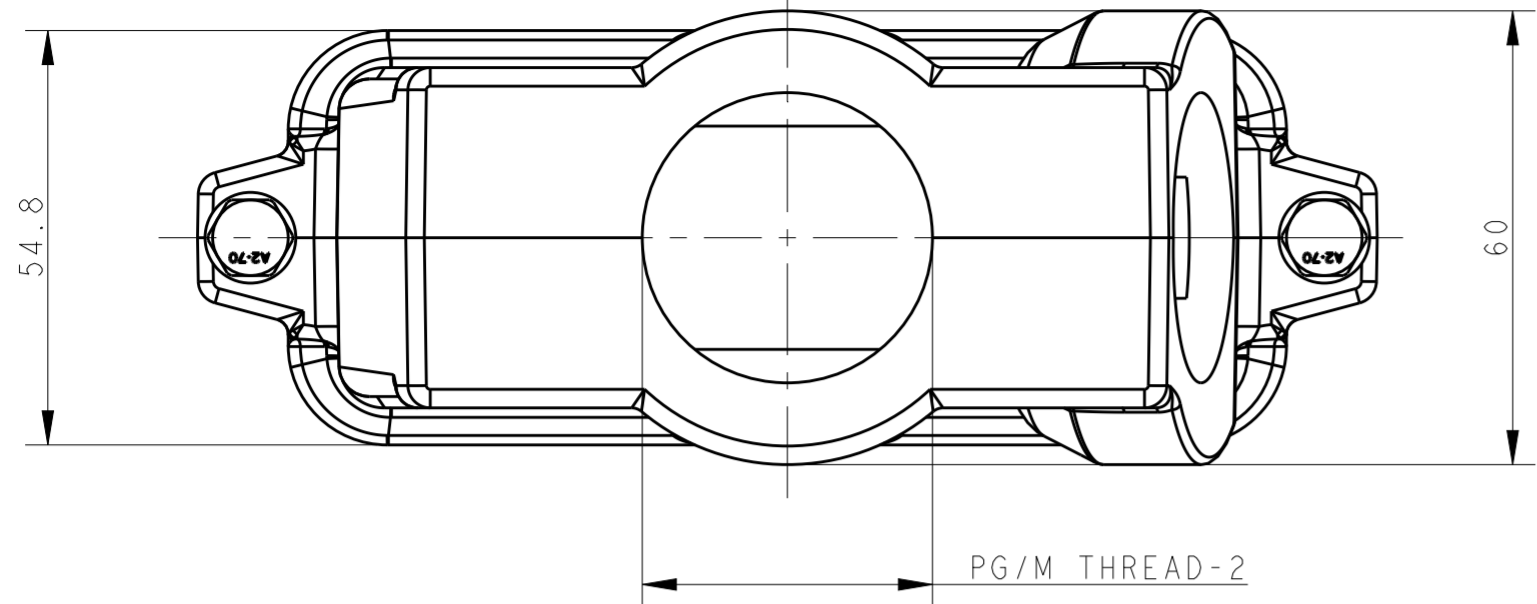


THIS DRAWING IS UNPUBLISHED. RELEASED FOR PUBLICATION 20
 © COPYRIGHT 20 BY - ALL RIGHTS RESERVED.

REVISIONS					
P	LTR	DESCRIPTION	DATE	DWN	APVD
A		INITIAL RELEASE	16JUN2015	GY	CW
A1		ECR-18-010109	03JUL2018	CD	CW

NOTES:
 1. TECHNICAL CHARACTERISTICS:
 HOOD MATERIAL: DIE CAST ALUMINIUM ALLOY
 SURFACE TREATMENT: SEE TABLE
 DEGREE OF PROTECTION: IP68 (MATED)

注释:
 1. 技术参数:
 壳体材料: 铝合金
 表面处理: 见表格
 防护等级: IP68 (配合)


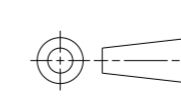


THIS DRAWING IS A CONTROLLED DOCUMENT.		DWN Gino Yao 16JUN2015	STE TE Connectivity	
		CHK Chris Wang 16JUN2015		
		APVD Xiang Xu 16JUN2015	NAME H24BPR H130 -TG/SHC-PG/M	
DIMENSIONS: mm		PRODUCT SPEC 108-137014	SIZE A2	
TOLERANCES UNLESS OTHERWISE SPECIFIED:		APPLICATION SPEC 114-137014	CAGE CODE -	
0 PLC ±		WEIGHT -	DRAWING NO G-T108224XXXXX00	
1 PLC ±		Customer Drawing	RESTRICTED TO -	
2 PLC ±			SCALE 1:1	
3 PLC ±			SHEET 1 OF 2	
4 PLC ±			REV A1	
ANGLES ±				
FINISH -				

THIS DRAWING IS UNPUBLISHED. RELEASED FOR PUBLICATION 20
 © COPYRIGHT 20 BY - ALL RIGHTS RESERVED.

REVISIONS				
P	LTR	DESCRIPTION	DATE	APVD
-		SEE SHEET 1	-	-

T1082242240-001	H24BPR H130-TG/SHC-M40/M40	H24BPR HOOD,CENTER LOCKING,HIGH CONSTRUCTION, TOP ENTRY -SIDE ENTRY M40,H130,POWDER COATED,DEEP GREY,NO LOGO H24BPR上壳,中部锁定,高结构,顶/侧出M40,H130,深灰色粉末喷涂,无LOGO	M40	M40	TYPE 2
T1082244032-000	H24BPR H130-TG/SHC-M40/M32	H24BPR HOOD,CENTER LOCKING,HIGH CONSTRUCTION, TOP ENTRY M40SIDE ENTRY M32,H130,POWDER COATED, GREY H24BPR上壳,中部锁定,高结构,顶出M40侧出M32,H130,灰色粉末喷涂	M40	M32	TYPE 1
T1082243240-000	H24BPR H130-TG/SHC-M32/M40	H24BPR HOOD,CENTER LOCKING,HIGH CONSTRUCTION, TOP ENTRY M32SIDE ENTRY M40,H130,POWDER COATED, GREY H24BPR上壳,中部锁定,高结构,顶出M32侧出M40,H130,灰色粉末喷涂	M32	M40	
T1082242240-000	H24BPR H130-TG/SHC-2M40	24BPR HOOD,CENTER LOCKING,HIGH CONSTRUCTION, TOP ENTRY -SIDE ENTRY M40,H130,POWDER COATED, GREY H24BPR上壳,中部锁定,高结构,顶/侧出M40,H130,灰色粉末喷涂	M40	M40	
T1082242232-000	H24BPR H130-TG/SHC-2M32	H24BPR HOOD,CENTER LOCKING,HIGH CONSTRUCTION, TOP ENTRY -SIDE ENTRY M32,H130,POWDER COATED, GREY H24BPR上壳,中部锁定,高结构,顶/侧出M32,H130,灰色粉末喷涂	M32	M32	
T1082241240-000	H24BPR H130-TG/SHC-2M40	H24BPR HOOD,CENTER LOCKING,HIGH CONSTRUCTION, TOP ENTRY -SIDE ENTRY M40,H130,POWDER COATED,SILVER WHITE H24BPR上壳,中部锁定,高结构,顶/侧出M40,H130,银白色粉末喷涂,半成品	M40	M40	
PART NUMBER 成品料号	ASSEMBLY PART DESCRIPTION 成品描述		PG/M THREAD-2	PG/M THREAD-1	

THIS DRAWING IS A CONTROLLED DOCUMENT.		DWN Gino Yao 16JUN2015	 TE Connectivity	
		CHK Chris Wang 16JUN2015		
		APVD Xiang Xu 16JUN2015		
		PRODUCT SPEC 108-137014		
DIMENSIONS: mm 		TOLERANCES UNLESS OTHERWISE SPECIFIED:	NAME H24BPR H130 -TG/SHC-PG/M	
		0 PLC ±-	SIZE A2	
		1 PLC ±-	CAGE CODE -	
		2 PLC ±-	DRAWING NO G-T108224XXXXX00	
		3 PLC ±-	RESTRICTED TO -	
		4 PLC ±-	SCALE 1:1	
MATERIAL -		FINISH -	SHEET 2 OF 2	
			REV A1	
			Customer Drawing	