

4

3

2

1

THIS DRAWING IS UNPUBLISHED. RELEASED FOR PUBLICATION
 © COPYRIGHT - By - ALL RIGHTS RESERVED.

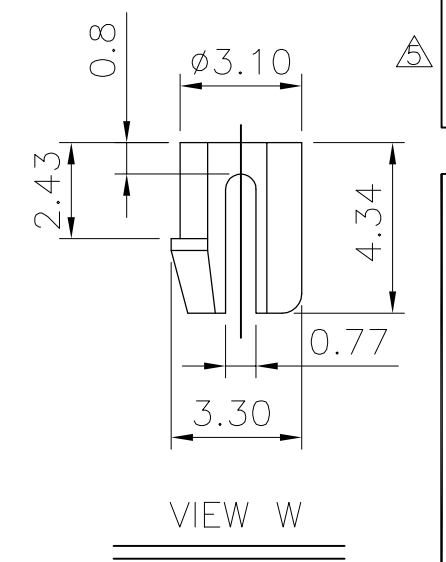
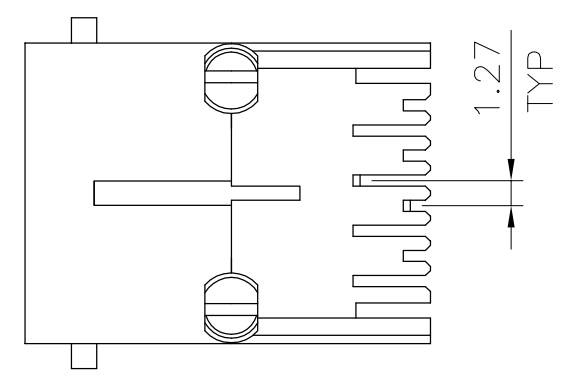
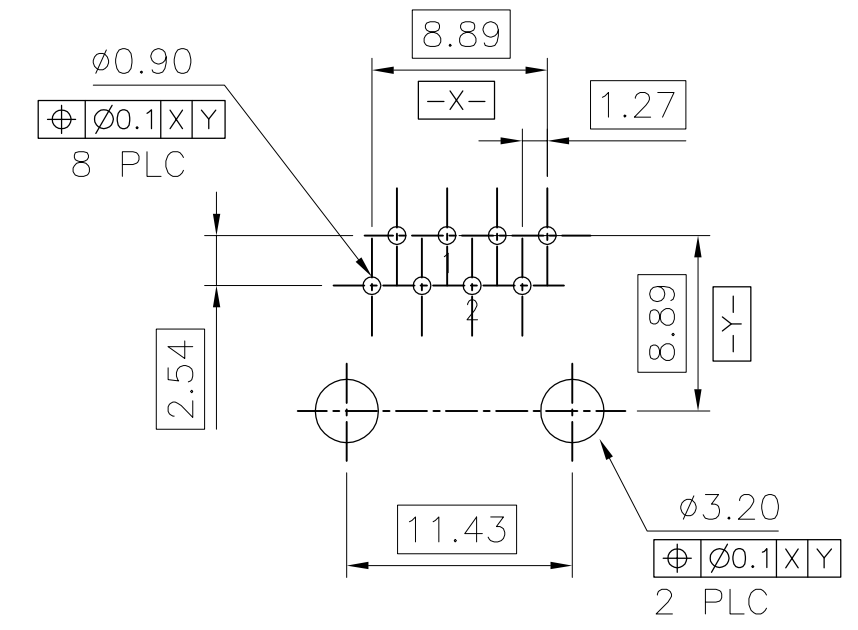
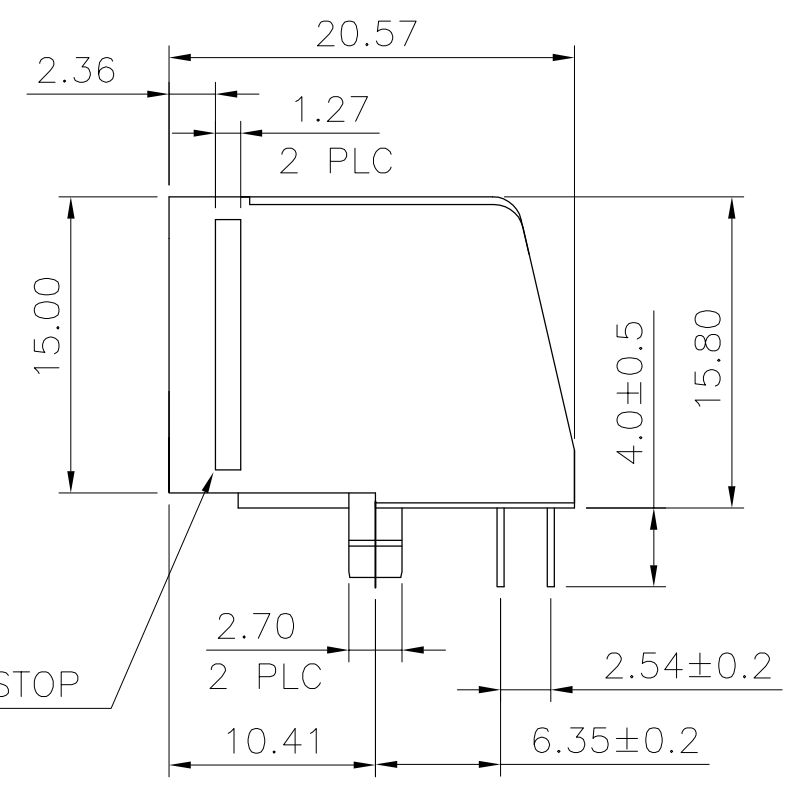
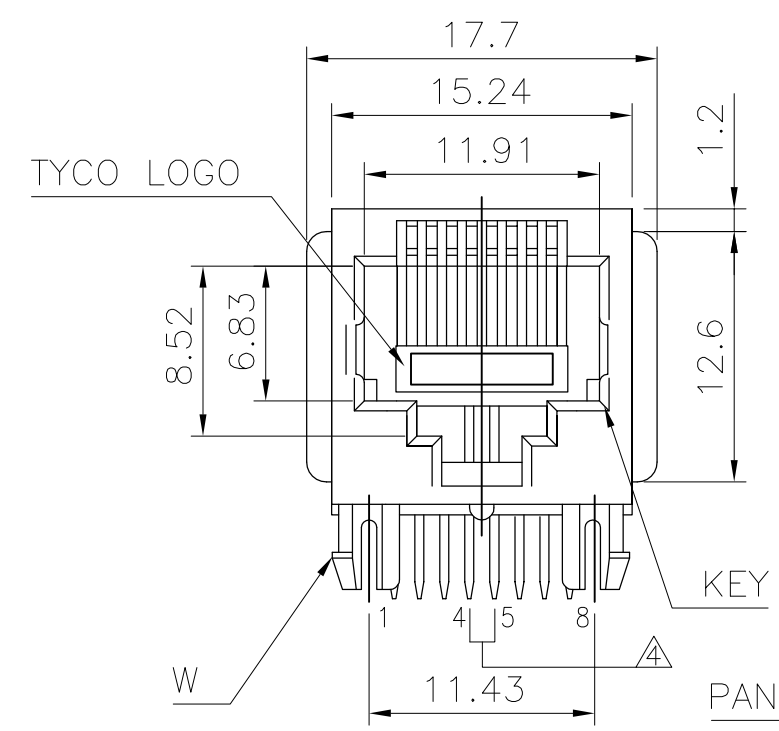
LOC	DIST	REVISIONS					
		P	LTR	DESCRIPTION	DATE	DWN	APVD
-	-	A		ECO-14-012616	30DEC2014	LL	SH

NOTE:

- MATERIAL:
HOUSING: THERMOPLASTIC, UL94V-0, COLOR: GRAY(PANTONE 400C).
CONTACT: PHOSPHOR BRONZE, THICKNESS: 0.35mm.
- FINISH:
CONTACT: GOLD PLATED (SEE TABLE) IN CONTACTS AREA.

GOLD FLASH ON SOLDER TAILS.
50u" MIN. NICKEL UNDERPLATED ALL OVER.
- REFLOW SOLDER CAPABLE TO 260° PER TYCO SPEC 109-201, CONDITION B.

⚠ KEEP PIN 4 AND PIN 5 FOR P/N 1-1734216-X.
 ⚠ OBSOLETE PARTS: OBSOLETE CIS STREAMLING PER D.DRENAUD/D.SINISI.



PLC	CONTACT	FINISH	KEY	PANEL STOP	GOLD PLATED	PART NUMBER		
OBSOLETE	8P2C	W/O	W/	⚠	⚠	50u" 4-1734216-4		
						30u" 4-1734216-3		
						15u" 4-1734216-2		
						6u" 4-1734216-1		
OBSOLETE	8P8C	W/	W/O	W/	W/O	50u" 3-1734216-4		
						30u" 3-1734216-3		
						15u" 3-1734216-2		
						6u" 3-1734216-1		
OBSOLETE	8P8C	W/	W/	W/	W/	50u" 2-1734216-4		
						30u" 2-1734216-3		
						15u" 2-1734216-2		
						6u" 2-1734216-1		
		W/O	W/O	W/	W/O	W/O	W/O	50u" 1-1734216-4
								30u" 1-1734216-3
								15u" 1-1734216-2
								6u" 1-1734216-1
						RJ45		

RECOMMENDED PCB LAYOUT (THICKNESS: 1.6mm)
 DIMENSION TOLERANCE: 1 PLC: ±0.1 2PLC: ±0.05)

THIS DRAWING IS A CONTROLLED DOCUMENT.		DWN	Q. HU	28-JUL-2005	 TE Connectivity	NAME	
DIMENSIONS: mm		CHK	S. HOU	28-JUL-2005			
TOLERANCES UNLESS OTHERWISE SPECIFIED:		APVD	W.J. KE	28-JUL-2005			PRODUCT SPEC 108-57527
0 PLC ± 0.50 1 PLC ± 0.30 2 PLC ± 0.20 3 PLC ± 0.10 4 PLC ± 0.10 ANGLES ± 3°		APPLICATION SPEC		SIZE A3			
MATERIAL SEE NOTE		FINISH SEE NOTE			WEIGHT	-	CAGE CODE 00779
		CUSTOMER DRAWING		SCALE	1:1	DRAWING NO C-1734216	
				SHEET	1 OF 2	RESTRICTED TO -	
				REV	A		

4

3

2

1

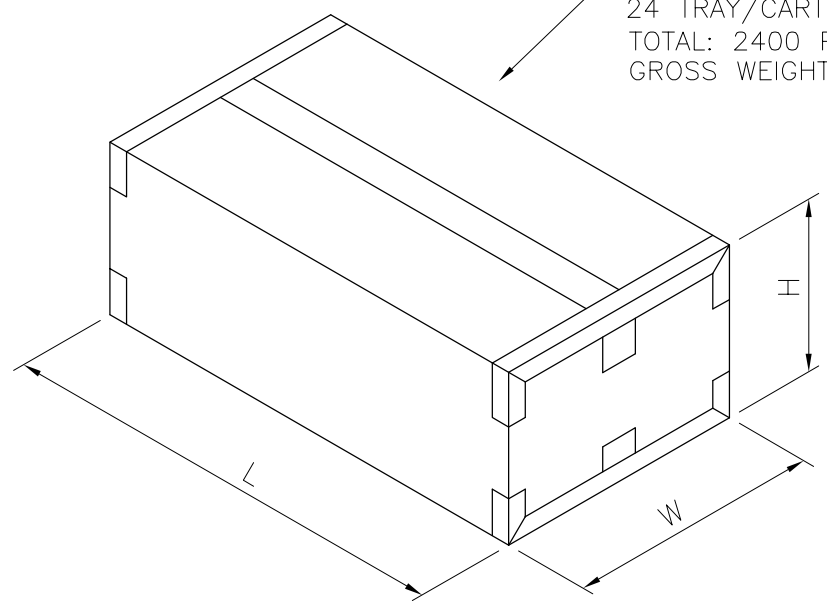
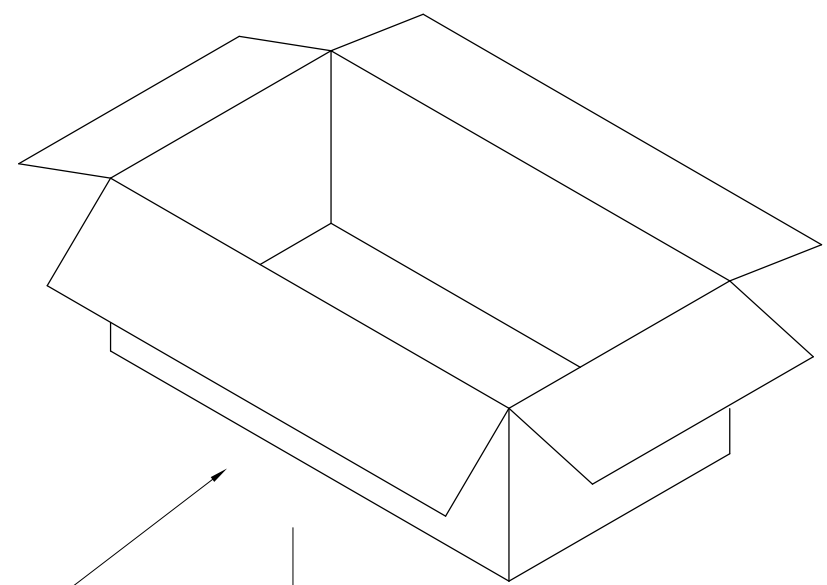
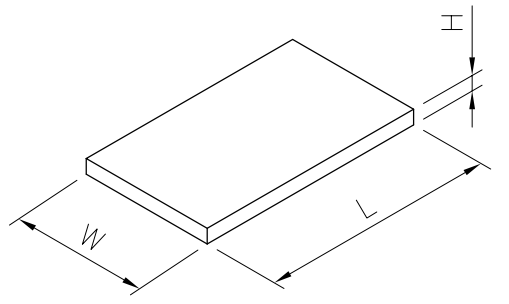
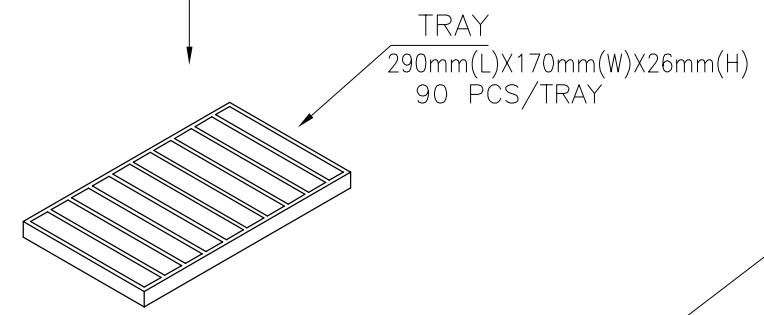
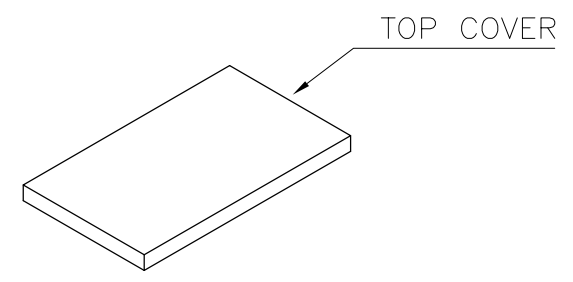
THIS DRAWING IS UNPUBLISHED.


RELEASED FOR PUBLICATION

ALL RIGHTS RESERVED.

© COPYRIGHT - By -

LOC	DIST	REVISIONS					
		P	LTR	DESCRIPTION	DATE	DWN	APVD
-	-	-	-		-	-	-



THIS DRAWING IS A CONTROLLED DOCUMENT.		DWN Q. HU 28-JUL-2005	 TE Connectivity	
DIMENSIONS: mm		CHK S. HOU 28-JUL-2005		
TOLERANCES UNLESS OTHERWISE SPECIFIED:		APVD W.J. KE 28-JUL-2005	NAME	
<ul style="list-style-type: none"> 0 PLC ± 1 PLC ± 2 PLC ± 3 PLC ± 4 PLC ± ANGLES ± - ± 3' 		PRODUCT SPEC 108-57527	MODULAR JACK, SIDE ENTRY, DIP TYPE	
MATERIAL SEE NOTE		FINISH SEE NOTE	APPLICATION SPEC -	RESTRICTED TO
		WEIGHT -	SIZE A3	CAGE CODE 00779
		CUSTOMER DRAWING	DRAWING NO C-1734216	REV A
		SCALE 1:1	SHEET 2 OF 2	