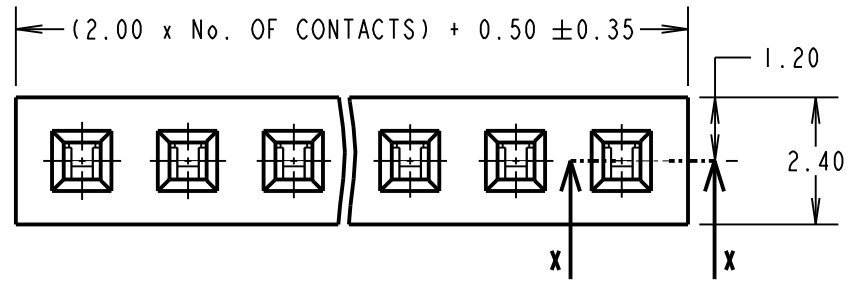


# Customer Information Sheet

DRAWING No.: M22-713XXXX SHEET 2 OF 2 IF IN DOUBT - ASK (C) NOT TO SCALE THIRD ANGLE PROJECTION ALL DIMENSIONS IN mm



ORDER CODE:  
**M22-713XX42**

No. OF CONTACTS: \_\_\_\_\_  
 03 TO 20 & 25

FINISH: \_\_\_\_\_  
 42 = GOLD FLASH ON CONTACT,  
 100% TIN ON TAILS

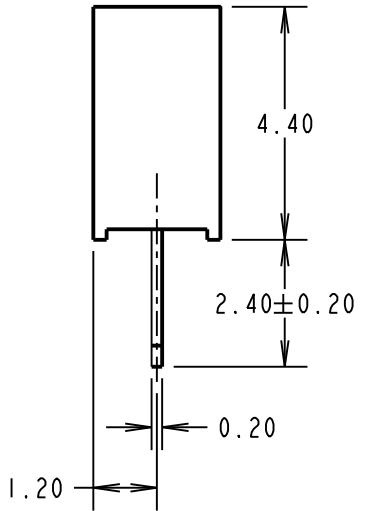
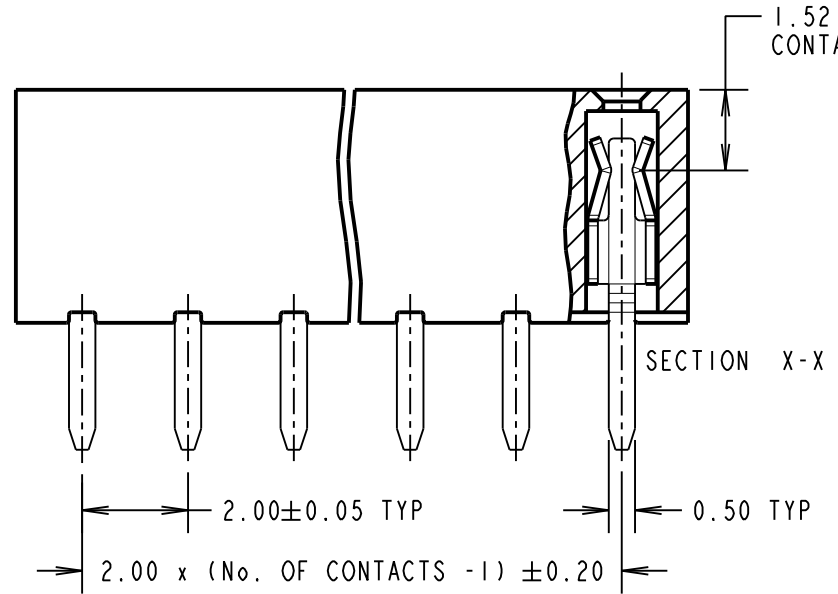
SPECIFICATION:  
 MATERIAL:  
 MOULDING = LCP UL94V-0, BLACK  
 CONTACTS = PHOSPHOR BRONZE  
 FINISH: (OVER NICKEL)  
 42 = 0.76 - 1.27µ NICKEL ALL OVER,  
 GOLD ON CONTACT AREA,  
 2.54µ 100% TIN ON TAILS

MECHANICAL:  
 DURABILITY = 5000 CYCLES MAX  
 INSERTION FORCE = 2N MAX PER PIN  
 WITHDRAWAL FORCE = 0.2N MIN PER PIN

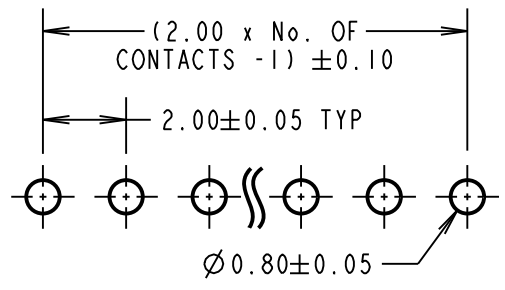
ELECTRICAL:  
 CURRENT RATING = 2A AC/DC  
 CONTACT RESISTANCE = 20mΩ MAX  
 INSULATION RESISTANCE = 1000MΩ MIN  
 DIELECTRIC WITHSTANDING = 500V AC FOR 1 MIN

ENVIRONMENTAL:  
 TEMPERATURE RANGE = -25° TO +105°

PACKING:  
 TUBE  
 FOR COMPLETE SPECIFICATION SEE COMPONENT  
 SPECIFICATION C018XX (LATEST ISSUE)



NOTE:  
 1. ALL TOLERANCES ARE  $\pm 0.15$ , UNLESS OTHERWISE STATED.



MSP	9	26.10.16	13421
NAME	ISS.	DATE	C/NOTE
APPROVED:			
CHECKED:			
DRAWN:		J. EVANS	
CUSTOMER REF.:			
ASSEMBLY DRG:			



www.harwin.com  
 technical@harwin.com

THIS DRAWING AND ANY INFORMATION OR DESCRIPTIVE MATTER SET OUT HEREON ARE CONFIDENTIAL AND COPYRIGHT PROPERTY OF THE HARWIN GROUP AND MUST NOT BE DISCLOSED, LOANED, COPIED OR USED FOR MANUFACTURING, TENDERING OR FOR ANY OTHER PURPOSE WITHOUT THEIR WRITTEN PERMISSION.

TOLERANCES  
 X =  $\pm 1$ mm  
 X.X =  $\pm 0.50$ mm  
 X.XX =  $\pm 0.10$ mm  
 X.XXX =  $\pm 0.01$ mm  
 ANGLES =  $\pm 5^\circ$   
 UNLESS STATED

MATERIAL: SEE ABOVE  
 FINISH: SEE ABOVE  
 S/AREA: mm<sup>2</sup>

TITLE: 2.00mm PITCH SIL VERTICAL SOCKET ASSEMBLY  
 DRAWING NUMBER: M22-713XXXX  
 SHT 2 OF 2