

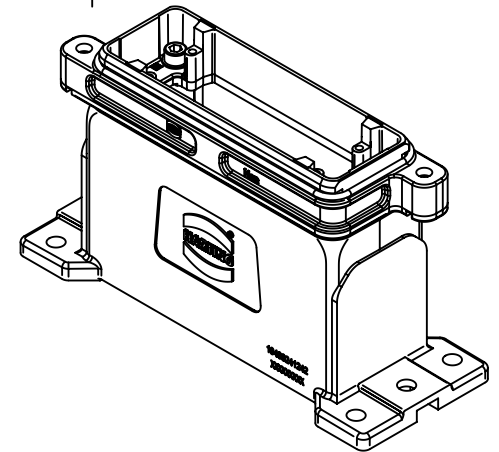
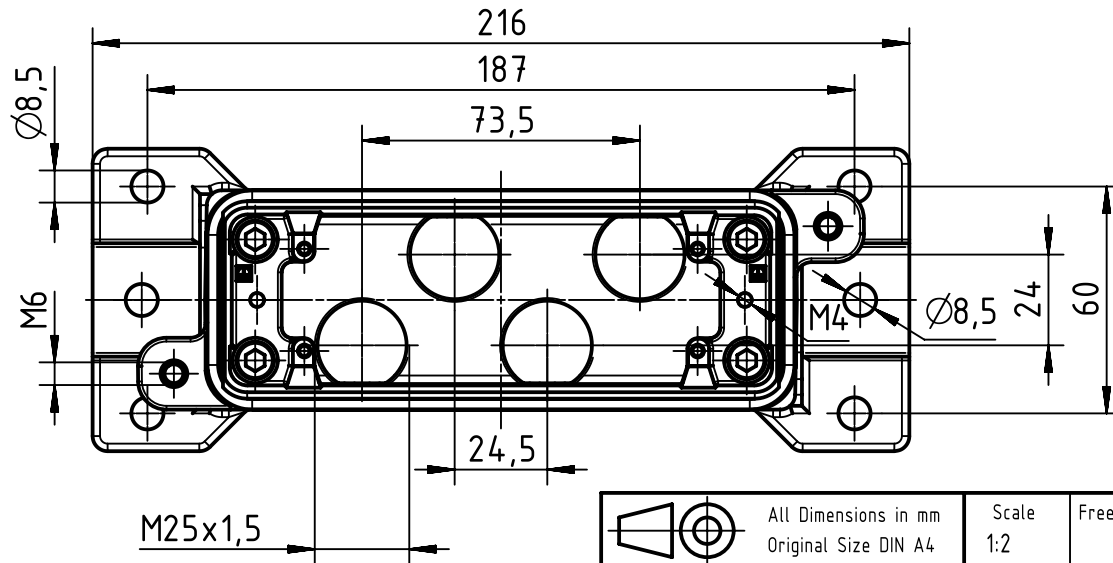
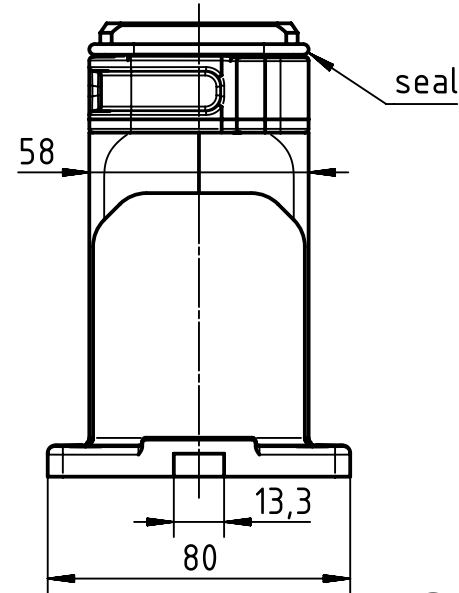
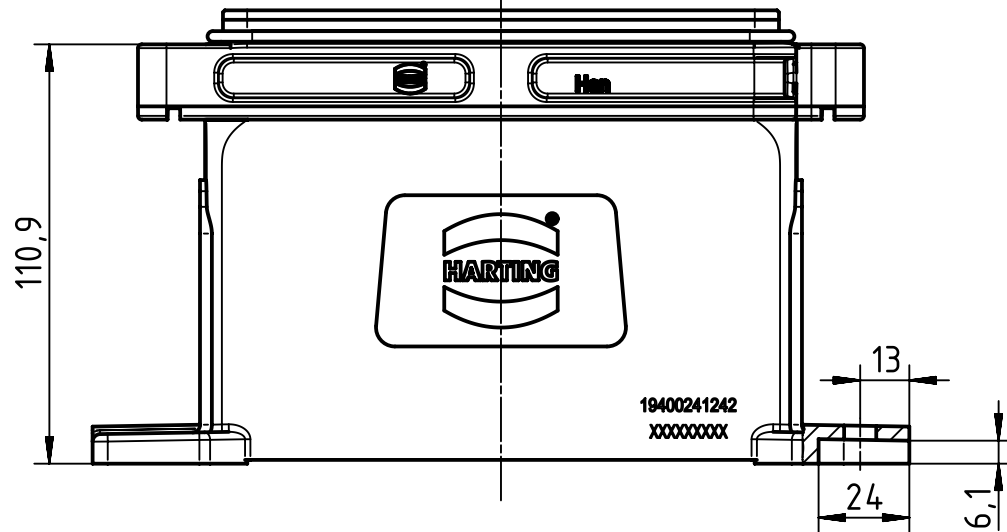
1 2 3 4 5 6


A

B

C

D



	All rights reserved Department EL PD - DE HARTING Electric GmbH & Co. KG D-32339 Espelkamp	All Dimensions in mm Original Size DIN A4		Scale 1:2	Free size tol.	Ref. Sub. TB 19 40 024 1242 v. 15.08.11			
		Created by RULLKOETTER	Inspected by BERGHORN	Standardisation TIEMANNA	Date 2014-07-17	State Final Release	Doc-Key / ECM-Nr. 100196842/UGD/005/B 500000077550		
Title Han 24HPR-HSM-4xM25-Screw Lock						Type TB	Number 19 40 024 1242	Rev. B	Page 1/1