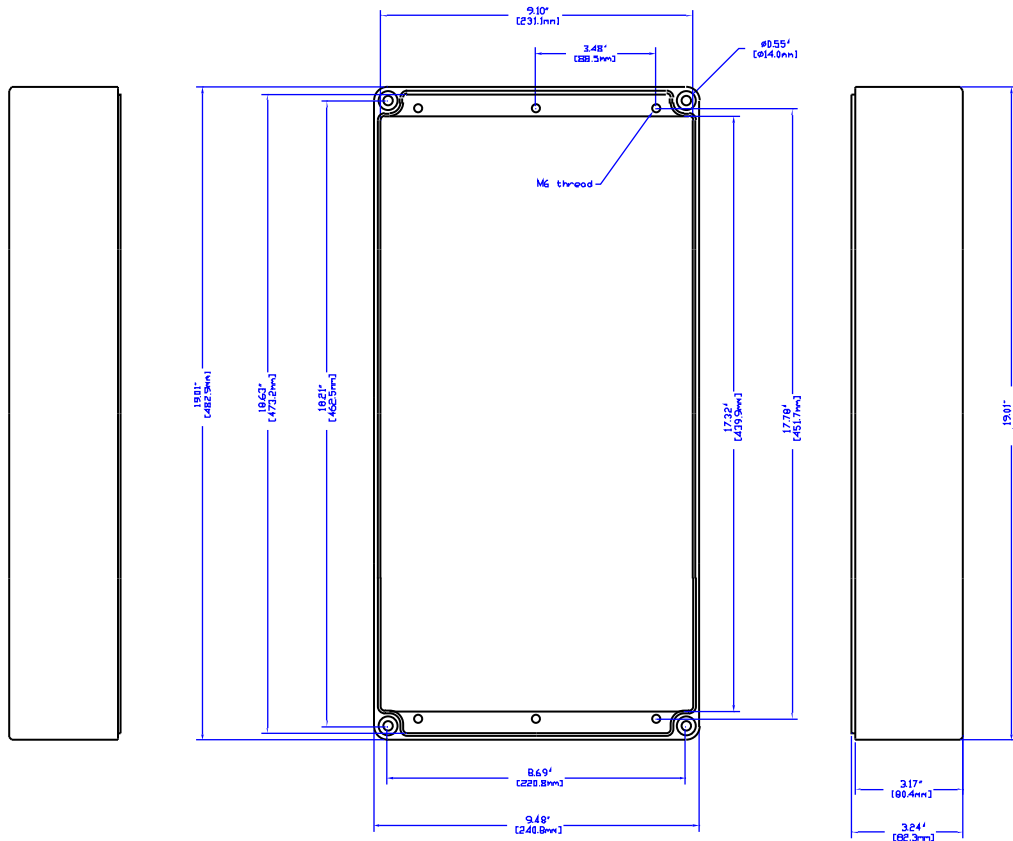
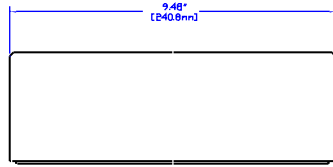


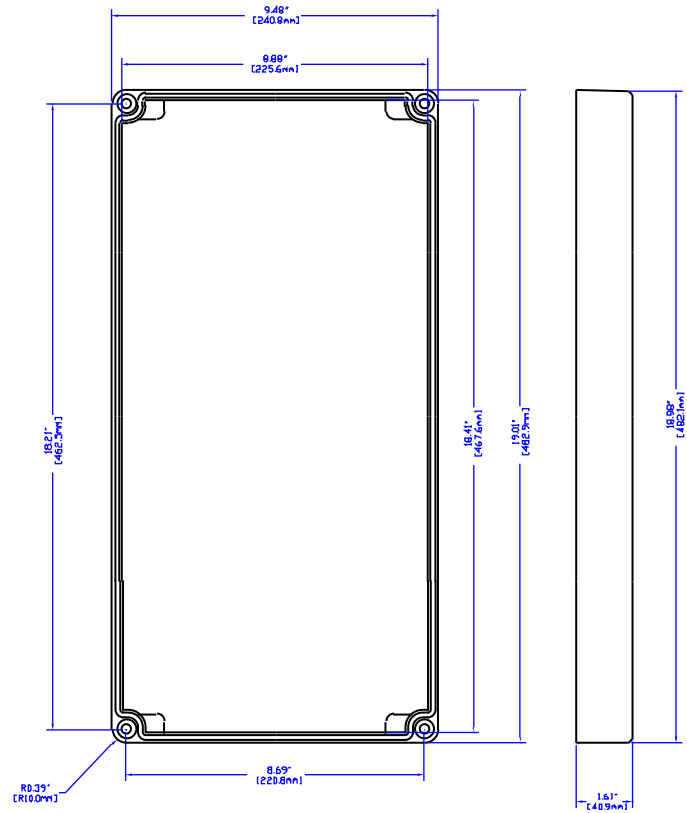
NOTES

MATERIAL - DIECAST ALUMINUM ALLOY  
 - FOUR M14 CAPTIVE SCREWS

POWDER COATED-Cat. RAL 7032  
 GASKET - POLYURATHANE  
 -40°C TO +80°C TEMP. RANGE



VIEW OF BOX (LID REMOVED)



VIEW OF LID (INSIDE)



HAMMOND MANUFACTURING

R100-244-000

CANADA - PH (519) 886 7170 - FAX (519) 886 8311  
 U.S.A. - PH (716) 631 5700 - FAX (716) 631 1156