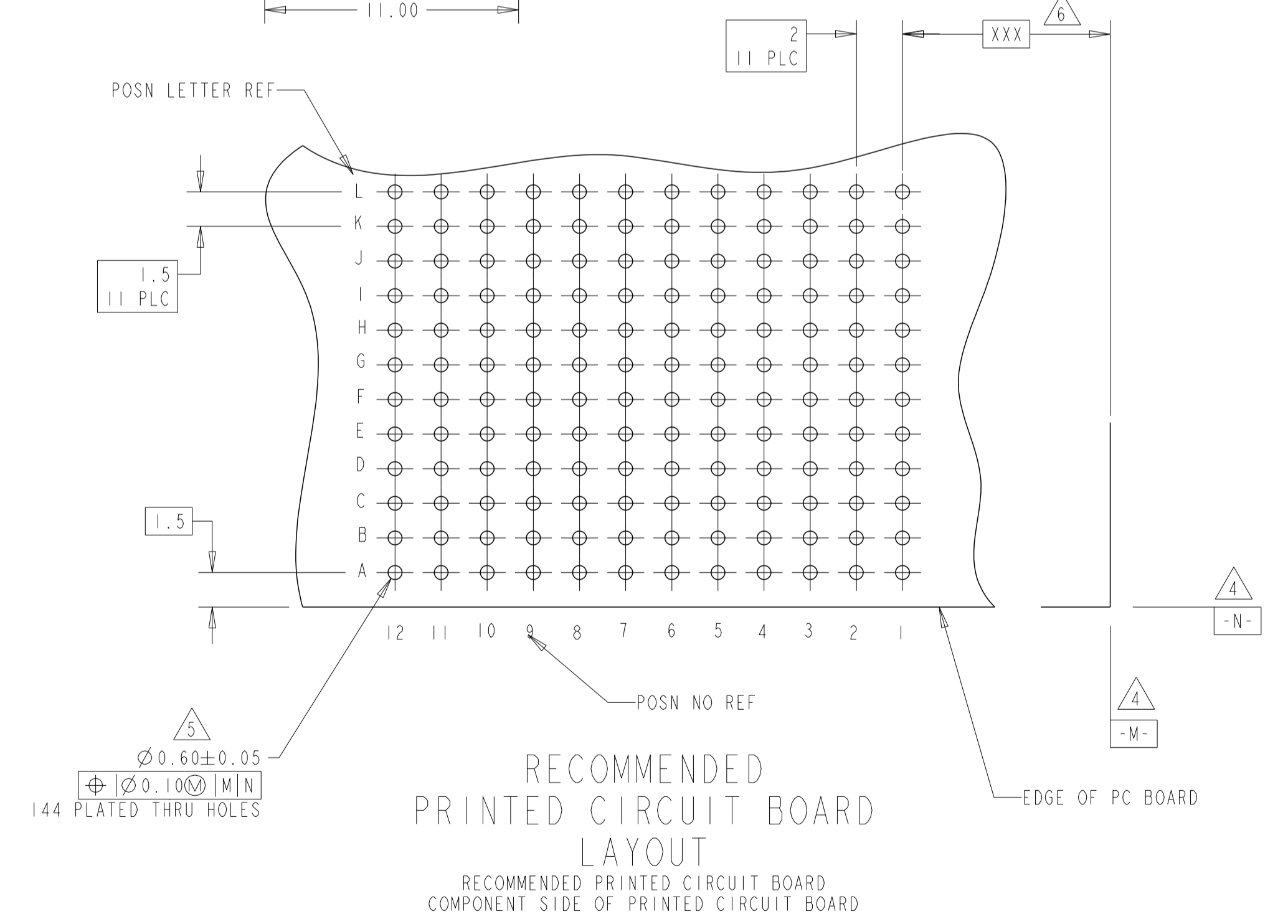
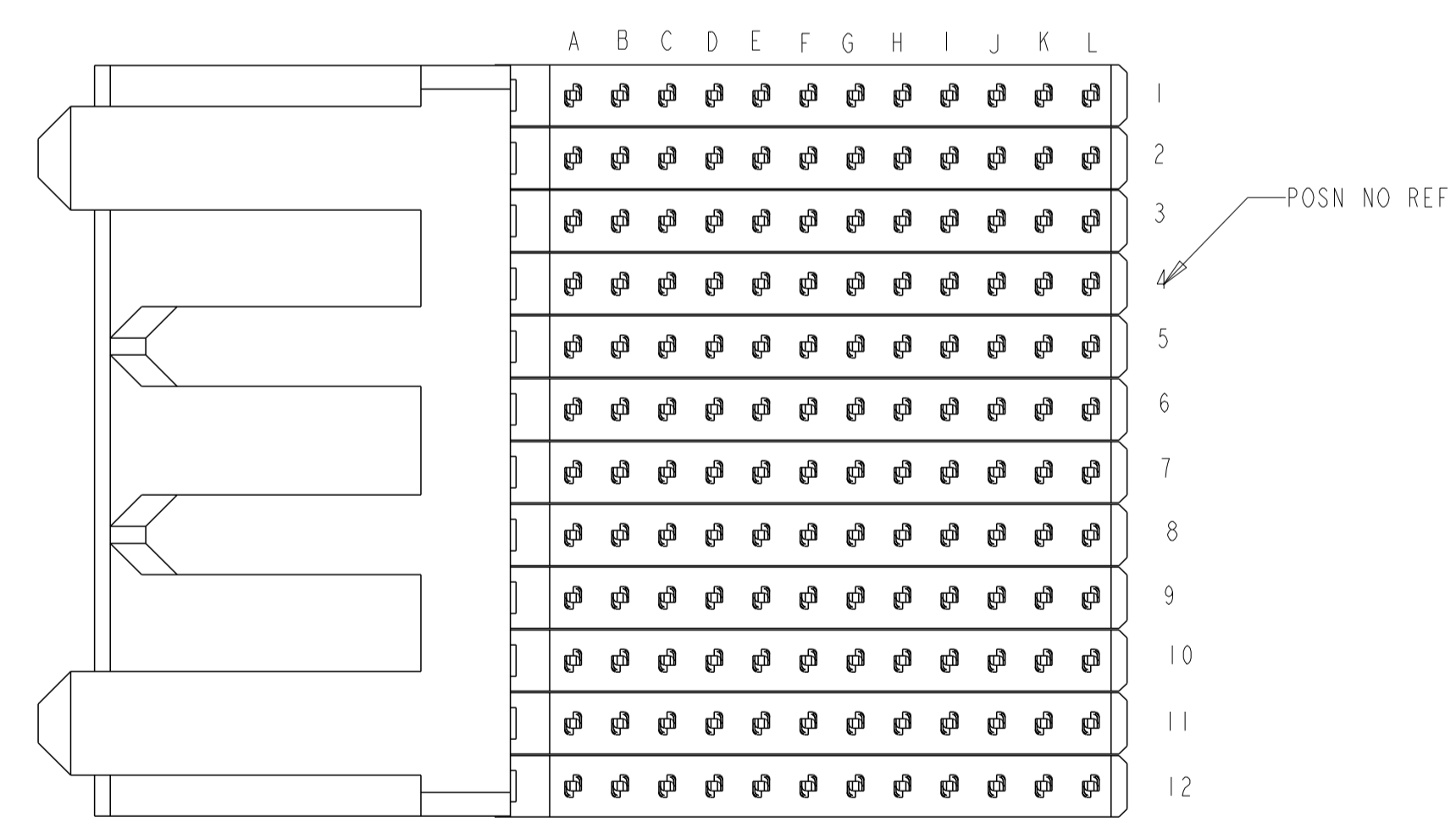
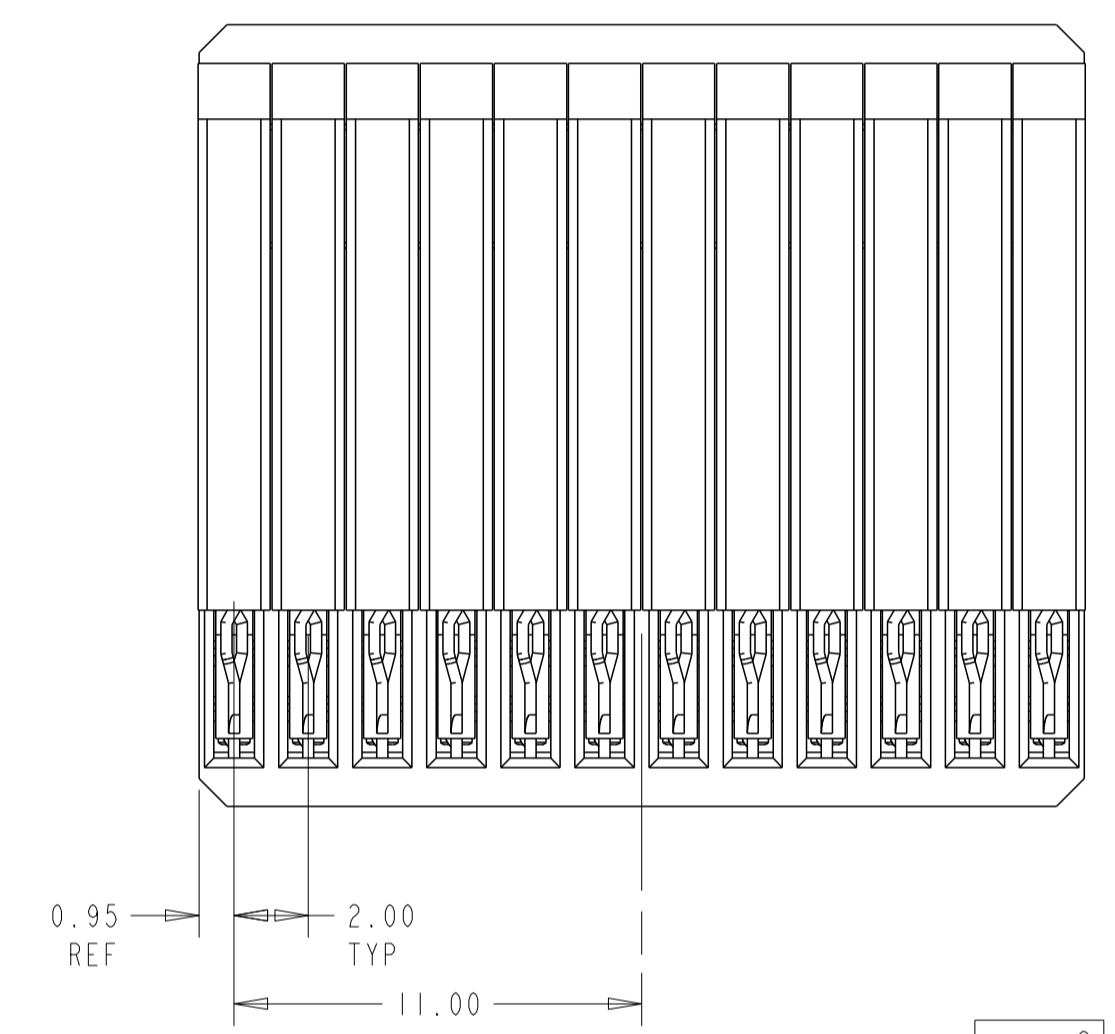
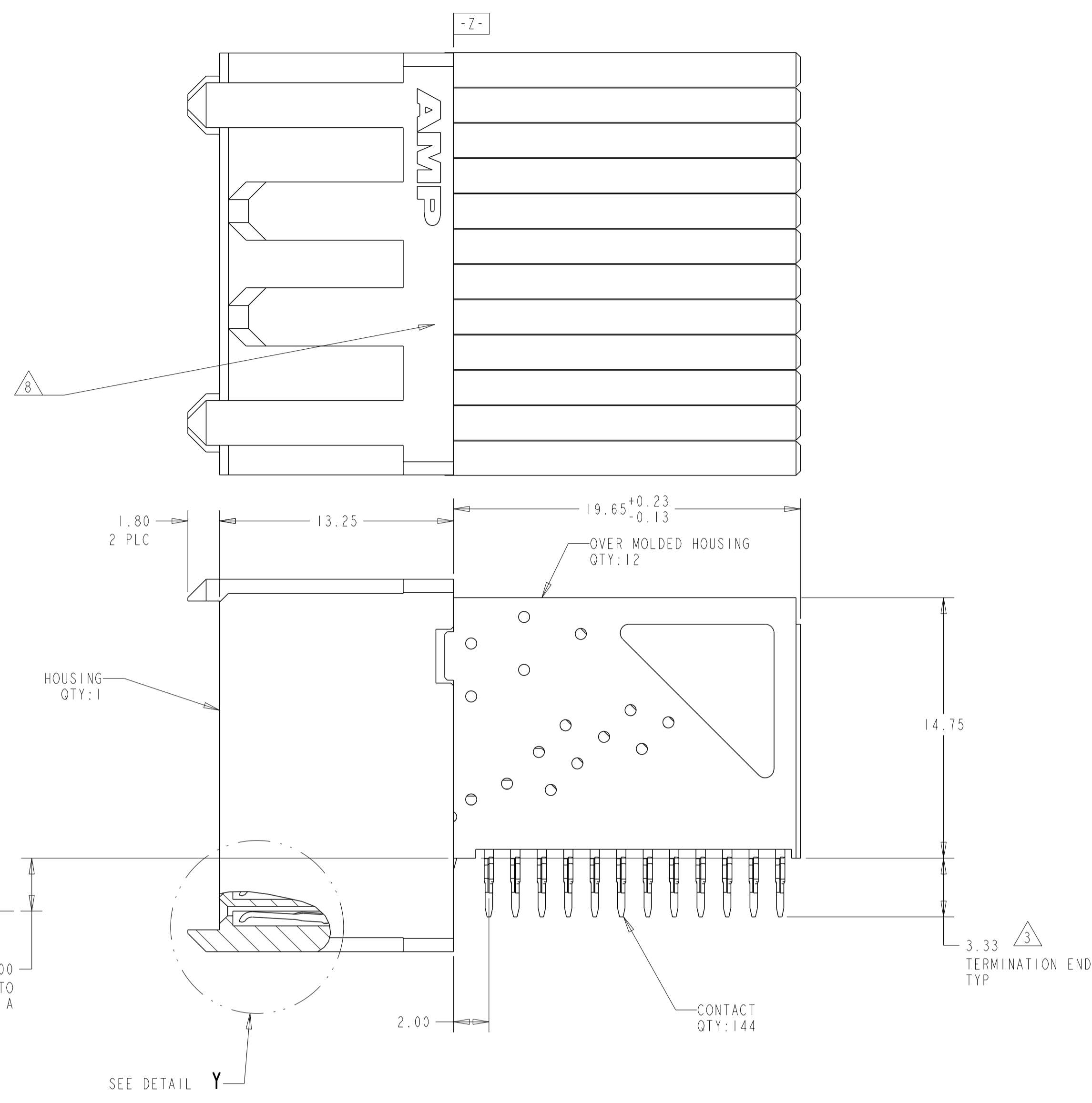
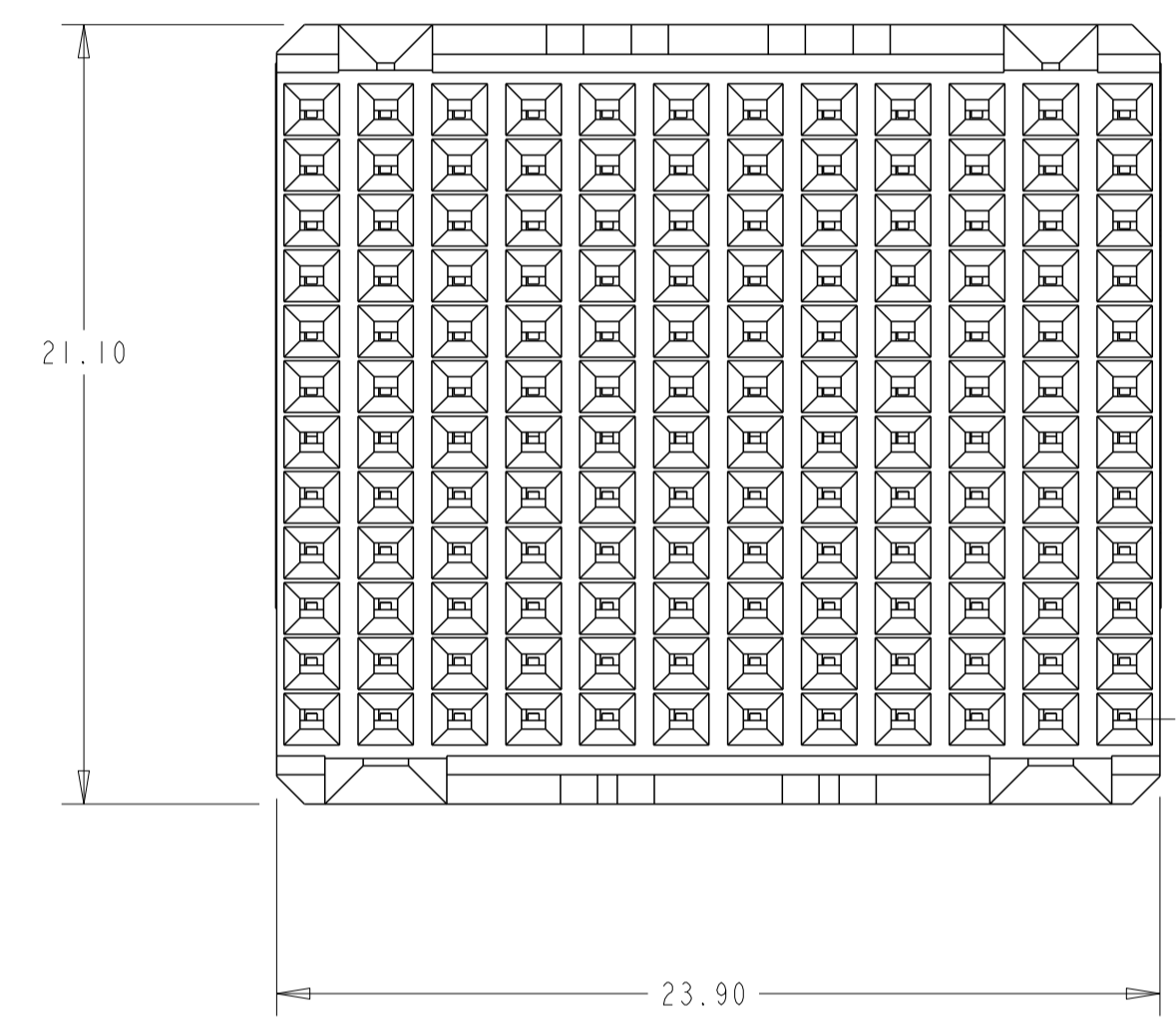
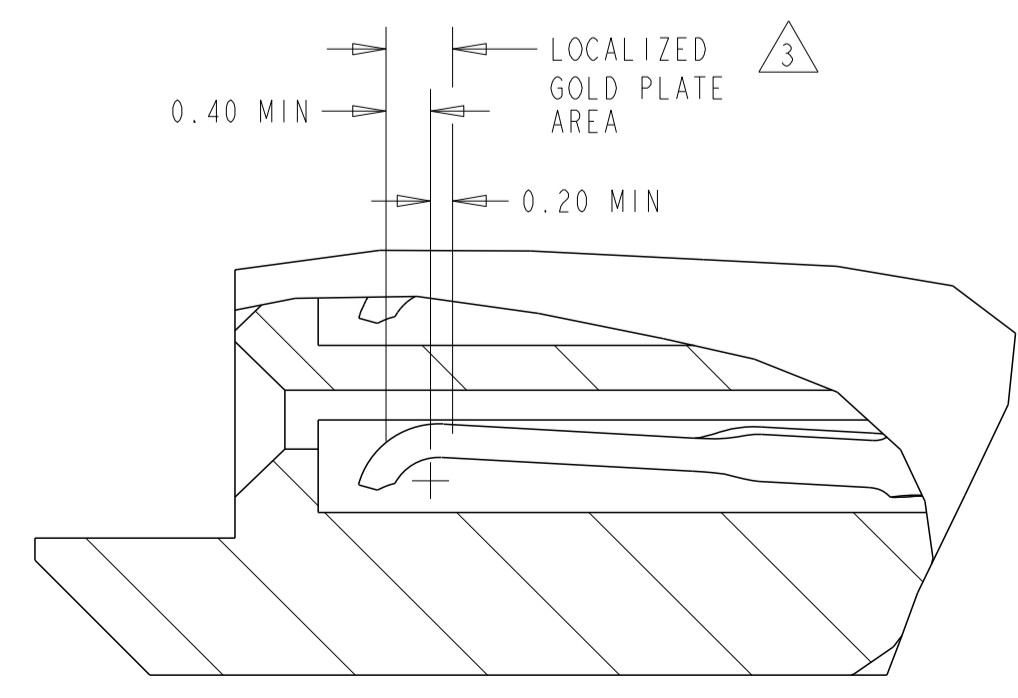


LOC	DIST	REVISIONS			
P	LTR	DESCRIPTION	DATE	DRN	APVD
A		INITIAL RELEASE	10MAY11	RC	CW



- 1 GLASS FILLED POLYESTER, BLACK
- 2 PHOSPHOR BRONZE
- 3 CONFORMS TO ALL TESTING ACCORDING TO IEC 61076-4-101 PERFORMANCE LEVEL 2.
- 4 DATUMS ESTABLISHED BY CUSTOMER.
- 5 DRILLED HOLE DIAMETER 0.700±0.025
COPPER THK 0.025-0.05
TIN THICKNESS 0.004-0.01
- 6 DIMENSION ESTABLISHED BY CUSTOMER.
- 7 GENERAL PLATING SPECIFICATION: UNDERPLATING (ENTIRE CONTACT): 1.27um MIN NICKEL AND ACTION PIN: 0.5um MIN TIN.
FOR PLATING OF MATING SURFACES SEE APPLICABLE SPECIFICATION REFERENCE FOR EACH DASH NUMBER.
- 8 CONNECTOR PRINTED WITH PART NUMBER AND DATE CODE, LOCATED APPROXIMATELY AS SHOWN.



DETAIL Y
SCALE 15:1

THIS DRAWING IS A CONTROLLED DOCUMENT.		DRN: RAYMOND CAO	TOMAY11	TE Connectivity	
DIMENSIONS: mm		CHK: ALEX SHOAL	TOMAY11	RECEPTACLE ASSEMBLY, 144 POSITION, 12 ROW, Z-PACK HM	
TOLERANCES UNLESS OTHERWISE SPECIFIED:		APVD: MANOJIAN WANG	TOMAY11	144 POSITION, 12 ROW, Z-PACK HM	
0 PLC ±0.2		PRODUCT SPEC	NAME	SIZE: A1	
1 PLC ±0.2		APPLICATION SPEC	NAME	CAGE CODE: 00779	
2 PLC ±0.2		WEIGHT	NAME	DRAWING NO: 1645568	
3 PLC ±		FINISH	NAME	SCALE: 5:1	
4 PLC ±		CONTACTS: 2	NAME	SHEET 1 OF 1	
ANGLES ±		CONTACTS: 3	NAME	REV A	
MATERIAL: HOUSING: 1		CONTACTS: 7	NAME	CUSTOMER DRAWING	