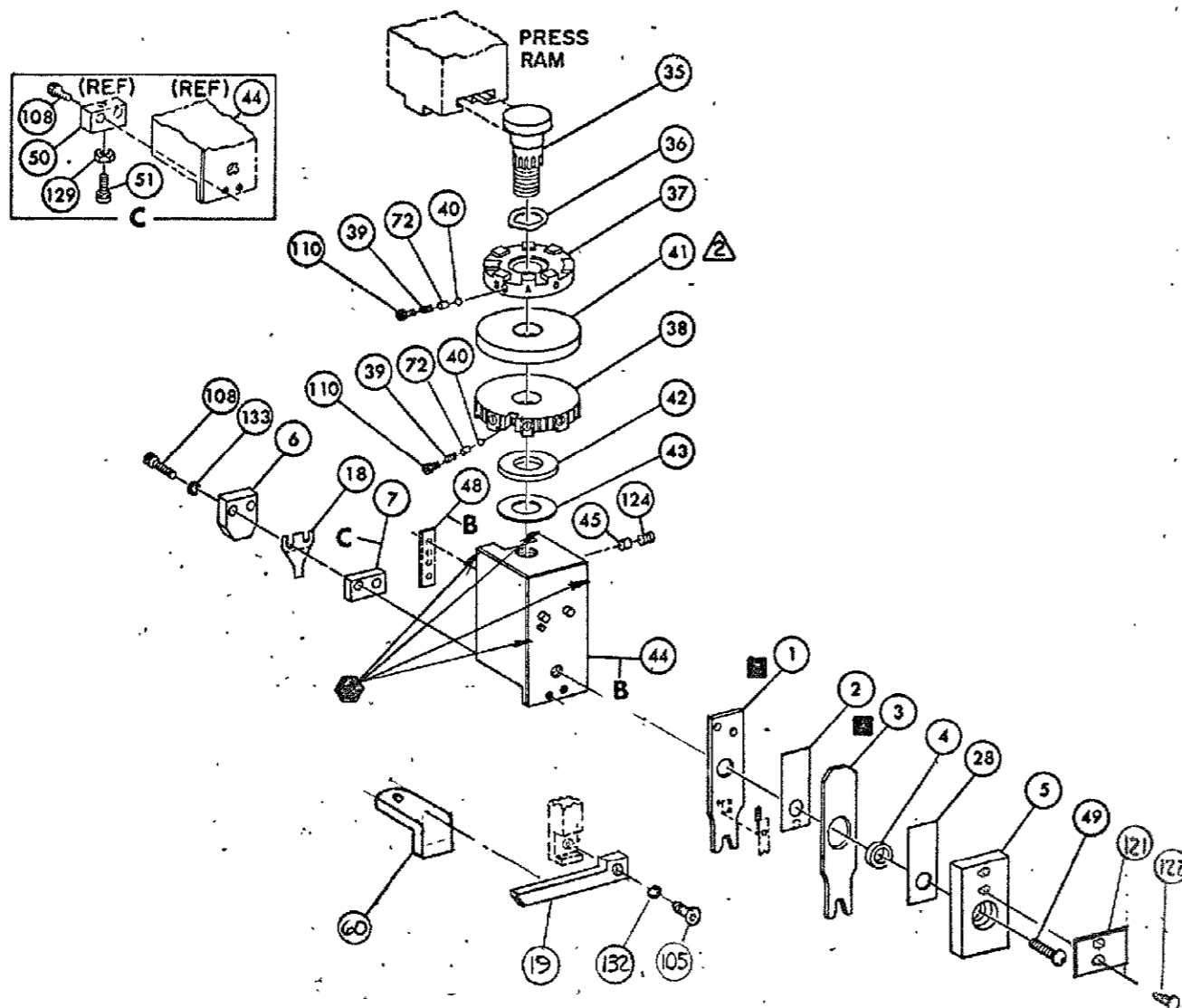
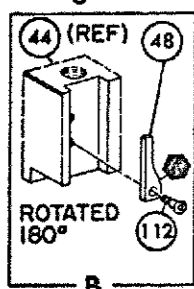


THIS IS A CONTROLLED DOCUMENT.



SPECIAL  
PRE-FEED  
1 5/8" STROKE



**NOTES:**

1- ONLY THE ITEMS WITH QUANTITIES SPECIFIED ON PARTS LIST ARE USED ON THIS APPLICATOR.

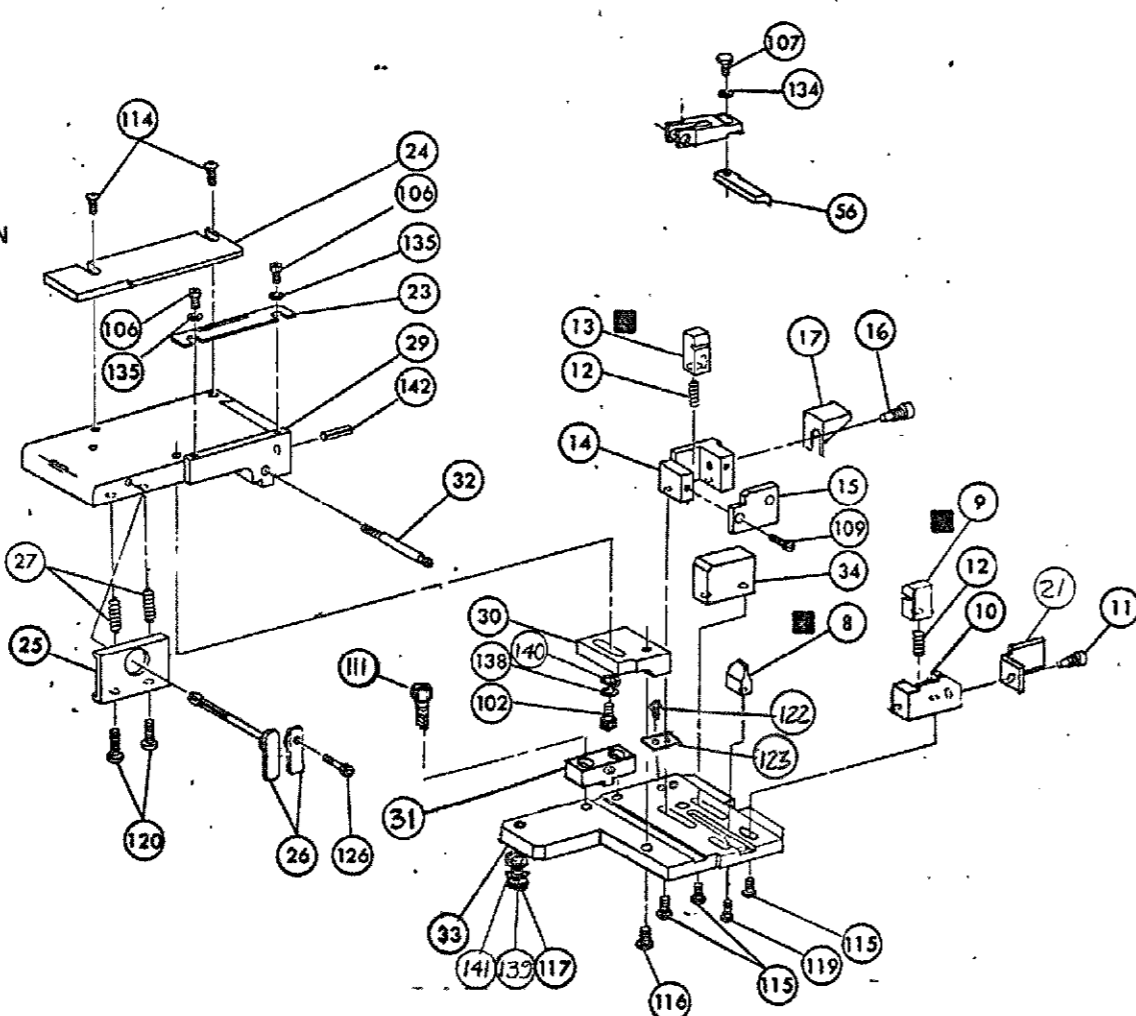
▲- USED IN PLACE OF ITEM 38 WHEN INSULATION CRIMP IS NOT USED.

3- FEED PIVOT-CENTER HOLE

**KEY:**

■- RECOMMENDED SPARE PARTS CUSTOMER RESPONSIBLE FOR REPLACEMENT.

●- GREASE WEEKLY



QTY	PART NO	DESCRIPTION	ITEM NO	QTY	PART NO	DESCRIPTION	ITEM NO
1	4-21028-0	PIN, SLOT SPR (.093 DIA X .75) STR G PLATE	142	REF	694433-8	PAWL FEED	56
1	21899-2	WASHER, FLAT (NO 10) MOUNTING-	141				55
1	21899-2	WASHER, FLAT (NO 10) S G, ADJ BLOCK	140				54
1	21024-5	WASHER, LOCK (NO 10) MOUNTING-	139				53
1	21024-5	WASHER, LOCK (NO 10) STRIP GUIDE ADJ BLOCK	138				52
			137	1	811242-2	BUMPER, HOLDDOWN	51
			136	1	690753-1	SPACER, TONKER	50
2	21024-2	WASHER, LOCK (NO 4) FRONT STRIP GUIDE	135	1	7-21002-9	BOLT, CRIMPER (BUT. HD. 5/16-24 UNF X 1.00)	49
REF	21024-4	WASHER, LOCK (NO 8) FEED FINGER	134	1	690602-6	CAM PRE FEED 1.62 STROKE	48
2	21024-4	WASHER, LOCK (NO 8) DEPRESSOR	133				47
REF	21024-4	WASHER, LOCK (NO 8) STRIPPER	132				46
			131	1	690191-1	PLUG, NYLON	45
			130	1	455673-1	RAM	44
			129	1	690125-1	WASHER, LAMINATED	43
			128	1	690124-1	WASHER, RAM	42
			127			DISC, SPACER	41
			126	2	23241-6	BALL, STEEL	40
			125	2	690170-1	SPRING, COMPRESSION	39
1	21009-2	SCR, SKT SET (1/4-20 X .25) (LOC-WEL) RAM	124	1	690142-4	DISC, INSULATION	38
1	690701-2	PLATE, SERIAL NO.	123	1	5-690692-2	DISC, WIRE	37
4	21017-2	SCR, DRIVE (# 2 X .188 LG.)	122	1	22480-5	WASHER, SPRING	36
1	819347-1	PLATE, I.D.	121	1	690212-1	POST, RAM	35
2	3-21002-0	SCR, BUT HD SKT CAP (10-32 X .88) DRAG	120	1	692776-1	SUPPORT, TERMINAL	34
1	22733-8	SCR, BUT HD SKT CAP (8-32 X .38) (LOC-WEL) ANVIL	119	1	462544-1	PLATE, BASE SPECIAL	33
			118	1	690432-3	SCREW, ADJUSTMENT	32
1	3-21000-8	SCR, SOG HD SKT CAP (10-32 X .88) MOUNTING	117	1	462543-1	BLOCK, SCREW SPECIAL	31
1	2-21002-7	SCR, BUT HD SKT CAP (10-32 X .50) SG ADJ BLOCK	116	1	455689-1	BLOCK, STRIP GUIDE ADJ	30
4	2-21002-2	SCR, BUT HD SKT CAP (8-32 X .50) SHEAR	115	1	455671-8	PLATE, STRIP GUIDE	29
2	2-21002-2	SCR, BUT HD SKT CAP (8-32 X .50) R STRIP GUIDE	114	1	455888-6	SPACER, FRONT SHEAR DEPRESSOR	28
			113	2	1-22284-0	SPRING, DRAG	27
1	1-21002-7	SCR, BUT HD SKT CAP (6-32 X .50) CAM	112	1	690546-1	LEVER, DRAG RELEASE	26
2	2-21000-7	SCR, SKT HD CAP (8-32 X .50) SCR. BLOCK	111	1	240792-1	DRAG, STOCK	25
2	23030-1	SCR, SKT HD CAP (6-32 X .25) (LOC-WEL) CP DISC	110	1	6-690504-4	GUIDE STRIP (REAR)	24
			109	1	690438-1	GUIDE, STRIP (FRONT)	23
2	2-21000-7	SCR, SKT HD CAP (8-32 X .50) DEPRESSOR (REAR)	108				22
REF	2-21002-1	SCR, BUT HD MACH (8-32 X .38) FEED FINGER	107	1	463756-1	GUIDE, SCRAP	21
2	1-21000-3	SCR, SKT HD CAP (4-40 X .25) F STRIP GUIDE	106				20
REF	2-21002-1	SCR, BUT HD CAP (8-32 X .35) STRIPPER	105	REF	462615-1	STRIPPER	19
			104			HOLDER, TERMINAL	18
			103			GUARD, CHIP (REAR)	17
1	3-22603-1	SCR, HEX HD CAP (10-32 X .38) SG ADJ BLOCK	102			STOP, SHEAR (REAR)	16
			101			PLATE, SHEAR (REAR)	15
			79			HOLDER, SHEAR (REAR)	14
			78			SHEAR, FLOAT (REAR)	13
2	463310-6	BLADE, STRIPPING (~22)	77	1	5-22280-0	SPRING, SHEAR	12
			76	1	690461-2	STOP, SHEAR (FRONT)	11
			75	1	462548-1	HOLDER, SHEAR (FRONT) SPECIAL	10
			74	1	462547-1	SHEAR, FLOAT (FRONT) SPECIAL	9
			73	1	803653-6	ANVIL	8
2	690603-1	SPRING, ASSIST	72			SPACER, DEPRESSOR (REAR)	7
			71			DEPRESSOR, SHEAR (REAR)	6
			70	1	462838-1	DEPRESSOR, SHEAR (FRONT) SPECIAL	5
			69	1	2-238011-0	SPACER, TUBULAR, INS CRIMPER	4
			68	1	5-456135-7	CRIMPER, INSULATION	3
			67	1	455888-4	SPACER, CRIMPER	2
			66	1	456401-5	CRIMPER, WIRE	1

QTY	PART NO	DESCRIPTION	ITEM	CRIMPING DATA				APPLICATOR WILL APPLY	
				PAD LTR	CRIMP HEIGHT	WIRE SIZE	STRIP LENGTH	SOCKET	PIN
REF	469484-1	STOP, WIRE	62	A	.032	24		745253	745254
			61	B	.030	26			
			60	C	.036	22 *			
			59	D	NOT USED				

REMARKS	NO	REV
APPL USED ON MACHINE PART NO	MACH SERIAL NO	DISTRIBUTION
CUSTOMER NAME	APPL SERIAL NO	ORIGINAL
ADDRESS	PURCHASE ORDER	CUSTOMER COPY
CITY	ENG APP	FIELD ENG COPY

WIRE RANGE	INSULATION RANGE	PRESS NO
26-22	.040-.055	463345-1
REMARKS		
* * 22 WIRE ONLY WITH APPROVAL OF ENGINEERING		

P/F	LTR	REVISION RECORD	APP DATE	P/F	LTR	REVISION RECORD	APP DATE

DIST 66 \* Trademark of AMP Incorporated  
AMP 2983-3 (6-73)

CUSTOMER AND ASSEMBLY DRAWING

466968-1